

ALUMEX ALUMINIUM PROFILES



DESIGN
HAND BOOK

 **ALUMEX**[®]
ULTIMATE IN ALUMINIUM PROFILES



CERTIFICATE OF CONFORMITY



ISO/IEC: 17021
QMS-001-01

The Sri Lanka Standards Institution
Certifies that the Quality Management System of

ALUMEX PLC
PATTIWILA ROAD, SAPUGASKANDA, MAKOLA
SRI LANKA

has been assessed and approved in accordance with
the requirements of ISO 9001:2015/ SLS ISO 9001:2015

Certificate No: **QSC 01444**

This certificate issued on **2023-04-27** is valid up to **2026-04-26**

Date of first certification **2000-12-13**

SCOPE OF CERTIFICATION

MANUFACTURE OF STANDARD AND CUSTOMIZED EXTRUDED ALUMINIUM PROFILES OF MILL FINISHED, NATURAL ANODIZED, COLOUR ANODIZED, POLISHED ANODIZED, POWDER COATED, WOOD EFFECT FOR ARCHITECTURAL & HARDWARE EXTRUSIONS; DESIGN & MANUFACTURE OF DIES FOR ALUMINIUM EXTRUSIONS; AND MANUFACTURE OF RECYCLED ALUMINIUM BILLETS

This approval is subject to the continued satisfactory operation of the organization's Quality Management System. This certificate is also applicable to the sites described in the authorized schedule bearing the same number and date as in this certificate. The authorized schedule describes site specific activities/ functions.


.....
DIRECTOR GENERAL/CEO

SRI LANKA STANDARDS INSTITUTION
No. 17, Victoria Place, Elvitigala Mawatha, Colombo 08, Sri Lanka
www.slsi.lk



AUTHORIZED SCHEDULE



ISO/IEC: 17021
QMS-001-01

Certificate No: QSC 01444 continued
Issued on: 2023-04-27 Valid up to: 2026-04-26

APPLICABLE SITES

01. ALUMEX PLC
ALUMEX PRIME, 138/4 MINUWANGODA ROAD, EKALA, JA-ELA., SRI LANKA

SITE SPECIFIC PRODUCTS AND/OR PROCESSES:

MANUFACTURE OF STANDARD AND CUSTOMIZED EXTRUDED ALUMINIUM PROFILES OF MILL FINISHED AND POWDER COATED; AND MANUFACTURE OF COMPONENTS MADE FROM ALUMINIUM EXTRUSIONS

02. ALUMEX PLC
LINDER INDUSTRIAL ESTATE, PATTIWILA ROAD, SAPUGASKANDA, SRI LANKA

SITE SPECIFIC PRODUCTS AND/OR PROCESSES:

MANUFACTURE OF COMPONENTS MADE FROM ALUMINIUM EXTRUSIONS; AND PROCESSING OF POST CONSUMER AND PRECONSUMER ALUMINIUM SCRAPS

This authorized schedule is meant to be used together with the certificate referred above and this schedule alone shall not be considered as a valid certificate.


.....
DIRECTOR GENERAL/CEO

SRI LANKA STANDARDS INSTITUTION

No. 17, Victoria Place, Elvitigala Mawatha, Colombo 08, Sri Lanka

www.slsi.lk



SRI LANKA STANDARDS INSTITUTION

Permit for the Use of SLS Certification Mark

1. By virtue of the powers derived under the provisions of section 19 of the Sri Lanka Standards Institution Act, No.6 of 1984, the Institution hereby grants to ALUMEX PLC

(Name of the Permit Holder)

of PATTIWILA ROAD, SAPUGASKANDA, MAKOLA

(hereinafter

(Address)

called "the permit holder" this permit to use the Certification Mark set out in the first column of the Schedule hereto upon or in respect of the ~~article(s)~~ ~~Process~~ set out in the second column of the said Schedule and manufactured/~~processed~~/~~operated~~ at the premises located at PATTIWILA ROAD, SAPUGASKANDA, MAKOLA

(Address)

and which are in conformity with the relevant Sri Lanka Standard(s) referred to in the third column of the said schedule as amended or revised from time to time.


2. This permit carries the rights and obligations stipulated in the rules and regulations made under the above mentioned Act.
3. This permit is subject to the General Conditions and Specific Conditions Issued as annexes to this permit.
4. The Institution reserves the right to change or add to any of the said conditions as and when required, with prior notice.
5. This permit is valid for the period upto the stipulated date of expiry, subject to the validity of the relevant Standards including the amendments and revisions if any, or until it is cancelled by the Director General or the Officer authorized on that behalf by the Director General or surrendered by the permit holder.

Permit No: 1371

Date of Issue: 2023-05-13

Date of Expiry: 2024-05-12

THE SCHEDULE

(1) Certification Mark	(2) Article (s)/Process	(3) Sri Lanka Standard(s)
 1410	"ALUMEX" BRAND EXTRUDED ALUMINIUM ALLOY PROFILES (PLEASE SEE SPECIFIC PERMIT CONDITIONS FOR THE SCOPE)	SLS 1410 : 2011 SPECIFICATION FOR EXTRUDED ALUMINIUM ALLOY PROFILES FOR ARCHITECTURAL


Director General

SRI LANKA STANDARDS INSTITUTION

CERTIFICATE

for a **COATING APPLICATOR**



hereby authorises

ALUMEX PRIME PLANT
138/4, Minuwangoda Road
Ja-Ela
Ekala
Sri Lanka

to use the quality label in conformity with the
QUALICOAT 2023 Specifications, applicable from 1 January 2023

Licence No.: 5205

Date of Granting: 18.11.2019

Valid until: 31.12.2023

Zurich, 1 January 2023

QUALICOAT

A handwritten signature in black ink, appearing to be "Ivo Vermeeren".

Ivo Vermeeren
President



A handwritten signature in black ink, appearing to be "Pascale Bellot".

Pascale Bellot
Secretary General



CERTIFICATE

for a **COATING APPLICATOR**



hereby authorises

Alumex PLC
Pattiwila Road
Sapugaskanda
Makola
Sri Lanka

to use the quality label in conformity with the
QUALICOAT 2023 Specifications, applicable from 1 January 2023

Licence No.: 5204

Date of Granting: 13.02.2019

Valid until: 31.12.2023

Zurich, 1 January 2023

QUALICOAT

A handwritten signature in black ink, appearing to be "Ivo Vermeeren".

Ivo Vermeeren
President



A handwritten signature in black ink, appearing to be "Pascale Bellot".

Pascale Bellot
Secretary General



Authorization to use the quality sign



ARCO Association Management AG, Zurich certifies that the company

ALUMEX PLC

Pattiwila Road, Sapugaskanda
LK – 0000 Makola

Licence number: 7100

is authorized to use the quality sign which is shown above, according to the regulations for the use of the quality label for ARCHITECTURAL ANODIZING as described in the current edition of the Specifications for the QUALANOD quality label for sulfuric acid-based anodizing of aluminium (Edition 01.07.2022). Architectural anodizing is one of the four types of anodizing covered by the Specifications.

Date of issue of the licence: 12.12.2018
Period of validity of the licence: until 31.12.2023
Date of issue of the certificate: Zurich, 14 December 2022

CERTIFICATION BODY

Sergio Marchionni
General Secretary
ARCO Association Management AG



Mailing address:
ARCO Association Management AG
P.O. Box, CH-8027 Zurich

Domicile:
ARCO Association Management AG
Dept. QUALANOD
Tödistrasse 42, CH-8002 Zurich

Website of label: www.qualanod.net
E-Mail: qualanod@arco.swiss // Phone: +41 (0)43 305 09 77 / 81



MEMBERSHIP CERTIFICATION

This is to certify that

ALUMEX PLC

PATTIWILA ROAD, SAPUGASKANDA, MAKOLA 11640, SRI LANKA

Membership Ref.: A055

is a member of the Quali Middle East Association and is a signatory to the policies and procedures related to the membership of the Association.

Period of validity of the certificate: until 31.12.2023

Dubai, 1 January 2023

QUALI MIDDLE EAST ASSOCIATION

A handwritten signature in black ink, appearing to read 'Faizur Rahman', is written over a horizontal line.

Faizur Rahman
General Secretary



Mailing address: Quali Middle East Association
c/o Dubai Association Centre, Office 207 (16), Level 2
Building 2 at One Central, Dubai World Trade Centre
Dubai, United Arab Emirates

P.O. Box 23070, Dubai-UAE
Phone: +971 4 516 3052-3
E-Mail: admin@qualimiddleeast.com
Internet: www.qualimiddleeast.com



Permit to use GREEN^{SL}® Labeling System Logo of GBCSL Green Building Council of Sri Lanka

We hereby authorized the

Alumex PLC

Pattiwila Road, Sapugaskanda, Makola

to use the GLS^{SL}® certification logo in accordance with the conditions given below.

GLS Logo	Conditions to use the GLS Logo	Certified Product(s)
	<ul style="list-style-type: none">• The GLS^{SL}® Logo can be used only for the certified product(s) by GBCSL.• This logo cannot be used after the validity period of the certification without renewing the permit.• This logo can be used in the certified product(s)' brochures/ catalogues or on the product labels / packaging (if available) to indicate that the product is an Eco-Labeled product.• This logo cannot be used as a blanket cover for all the products of the organization, if the range of the products were not covered during the certification process.	"Aluminium Extruded Products"

This permit is valid for a period of three (03) years with effective from 05.08.2021 to 04.08.2024. The Green Building Council of Sri Lanka reserves the right to change or add any of the said conditions as and when required, with prior notice.

License No: GLS/2021/0034

Date of Issue: 05.08.2021

Prof. Ranjith Dissanayake

Chairman, Green Building Council of Sri Lanka

Contents

	<u>Group</u>	<u>Page</u>
<ul style="list-style-type: none"> ➤ Accreditations ➤ Product Standards ➤ Additional Information ➤ Architectural Applications 	01	01 - 05 06 - 07 08 - 09 10 - 11
<p>80 mm Sliding Windows</p> <ul style="list-style-type: none"> ➤ 80mm Sliding ➤ 80mm Sliding & Fix ➤ Single Sliding ➤ 80mm Swing Window 	02	1 - 10 11 - 19 20 - 21 22 - 23
<p>100mm Sliding Door</p> <ul style="list-style-type: none"> ➤ 100mm Sliding Door ➤ 100mm Sliding & Fixed (Double Glazing) ➤ 100mm Double Sliding (Double Glazing) 	03	01 - 18 19 - 22 23 - 27
<p>'C' Groove Sliding</p> <ul style="list-style-type: none"> ➤ 'C' Groove Sliding ➤ 'C' Groove Sliding (Double Glazing) 	04	01 - 06 07 - 11
<p>Lift & Sliding Door</p> <ul style="list-style-type: none"> ➤ Lift & Sliding Door 	05	01 - 04
<p>ABS Sliding</p> <ul style="list-style-type: none"> ➤ ABS Sliding 	06	01 - 05
<p>Sliding Folding Door</p> <ul style="list-style-type: none"> ➤ Sliding Folding Door ➤ Heavy Duty Sliding Folding ➤ Double Door - (Lapped) 	07	01 - 08 09 - 12 13
<p>100mm Door</p> <ul style="list-style-type: none"> ➤ 100mm Door (1.6 mm Thickness) ➤ 100mm Door (80mm Outer frame) 	08	1 - 10 11 - 12
<p>70mm Casement Windows</p> <ul style="list-style-type: none"> ➤ 70mm Casement (1.5 mm Thickness) 	09	01 - 05

Contents

	<u>Group</u>	<u>Page</u>
<p><i>'C' Groove Systems Windows /Doors</i></p> <ul style="list-style-type: none"> ➤ 'C' Groove Casement Window ➤ 'C' Groove Door ➤ 'C' Groove Double Glazing Door ➤ Panel Door ➤ 'C' Groove Pivoted Window 	10	01 - 11 12 - 15 16 - 19 20 - 25 26 - 31
<p><i>Shop Front</i></p> <ul style="list-style-type: none"> ➤ 100mm Shop Front 	11	01 - 04
<p><i>Partition</i></p> <ul style="list-style-type: none"> ➤ 100mm Partition ➤ Half Partition 	12	01 - 03 04 - 06
<p><i>Curtain Wall</i></p> <ul style="list-style-type: none"> ➤ Curtain Wall ➤ Curtain Wall Double Glazing ➤ Unitized Curtain Wall Double Glass 	13	01 - 08 09 - 15 16 - 23
<p><i>Louvers</i></p> <ul style="list-style-type: none"> ➤ Louvers ➤ Sun Louver 	14	01 - 05 06 - 07
<p><i>WRD Door</i></p> <ul style="list-style-type: none"> ➤ WRD 100 Series Door ➤ WRD 200 Series Door ➤ PD 200 Series Door 	15	01 - 02 03 - 05 06 - 07
<p><i>Hand Rail</i></p> <ul style="list-style-type: none"> ➤ Hand Rail 	16	01 - 06
<p><i>Cladding</i></p> <ul style="list-style-type: none"> ➤ Cladding 	17	01 - 02

Contents

Group Page

<i>Insert Screen & Security Doors & Windows</i> <ul style="list-style-type: none">➤ Insert Screen➤ Security Sliding / Hinged Door & Windows	<i>18</i>	01- 04 05- 06
<i>Wardrobe</i> <ul style="list-style-type: none">➤ Wardrobe	<i>19</i>	01 - 04
<i>Shower Cubicle</i> <ul style="list-style-type: none">➤ Shower Cubicle	<i>20</i>	01 - 01
<i>Kitchen Cabinet</i> <ul style="list-style-type: none">➤ Kitchen Cabinet	<i>21</i>	01 - 03
<i>Misellaneous</i> <ul style="list-style-type: none">➤ Miscellaneous	<i>22</i>	01 - 03
<i>Hardware Items</i> <ul style="list-style-type: none">➤ Round Pipe & Plate➤ Rectangular Pipe & Square Pipe➤ Equal Angle & Unequal Angle➤ Single Channel Double Channel	<i>23</i>	01 02 03 04

General Product Information (Standards)

Group 01
Page 01

Material Data

Alloy : EN AW-6063

Applicable Standards : BS EN 515, Part 01 to 04 of BS EN 573,
Part 01 to 09 of BS EN 755 and
Part 01 to 02 of BS EN 12020
SLS :1410

Description of Alloy : EN AW-6063 is a heat treatable alloy, provides good combination of extrudability and mechanical properties. Its excellent extrudability allows thin walled hollow shapes, intricate solids and other shapes (usually difficult extrusions) to extrude with satisfactory finish and to produce more easily.

It responds well to polishing, chemical brightening, anodizing and electro-colouring.

Characteristics

Forming - All tempers of EN AW-6063 are formable

Corrosion - Excellent resistance to the atmosphere. Particularly suitable for anodizing of extrusions for architectural application

Machining - Readily machinable

Welding - EN AW-6063 readily welded by MIG and TIG processes. Recommended filler alloy 5356

Tempers Recommend for Architectural / Hardware Applications

T1 - Cooled from an elevated temperature shaping process and naturally aged to a substantially stable condition

T4 - Solution heat treated and naturally aged to a substantially stable condition

T5 - Cooled from elevated temperature shaping process and then artificially aged

T6 - Solution heat treated and then artificially aged

* Please refer page 03 & 04 of group 01 for further details

Chemical composition

EN AW-6063 is an aluminium alloy, with magnesium & silicon

	<u>% Weight</u>
Silicon	0.20 - 0.60
Magnesium	0.45 - 0.90
Copper	0.10 (Max)
Manganese	0.10 (Max)
Iron	0.35 (Max)
Chromium	0.10 (Max)
Zinc	0.10 (Max)
Titanium	0.10 (Max)
Others each	0.05 (Max)
Others total	0.15 (Max)
Aluminum	Remainder

General Product Information (Standards)

Group 01
Page 02

Mechanical Properties as per BS Standard

<u>Temper</u>	<u>Ultimate Tensile Strength (MPa)</u>	<u>0.2% Proof stress (MPa)</u>	<u>Elongation (%)</u>
T5	175 (Minimum)	130 (Minimum)	6 (Minimum)

Physical Properties

<u>Density (kg/mm³)</u>	<u>Melting range (°C)</u>	<u>Coefficient of Linear Expansion (/deg°C)</u>	<u>Modulus of Elasticity (GPa)</u>
2.71 x10 ⁻⁶	600 - 660	23 x 10 ⁻⁶	69

Anodizing - Aluminum alloy anodic oxidation coating

Accordance with BS EN 12373-1:2001 clauses 6, 7, 8, 9 and EN ISO 2360:2003

Colours - **Natural - Currently available in the market (10-15 microns)**
Dark bronze - Currently available in the market (10-15 microns)
Polished natural - As per the Customer's requirement
Polished bronze - As per the customer's requirement

* Other shades such as champaign, medium bronze and black are available on request

Thickness - 10-15 microns, 15-20 microns, 20-25 microns

Powder Coating

Accordance with BS 6496:1984

Polyester (PE) Coating - Wider colour range
Polyurethane (PU) / Polyester (PE) coating - Wood effect (Mahogany, Teak, Rosewood)

Film Thickness (EN ISO 2360:2003)	- 60 - 80 microns (Significant surface)
Impact resistance (2.5 Nm: EN ISO 6272-1:2004)	- No sign of cracking
Erichsen Cupping Test (5 - 10 mm - EN ISO 1520:2001)	- No sign of cracking or detachment
Bend test (3 - 12 mm - EN ISO 1519:2002)	- No sign of cracking or detachment
Adhesion (EN ISO 2409:1994)	- Class 0 (no detachment)
Accelerated weather resistene	- Excellent

Length of Extrusions

Extrusions are produced in the following standard lengths,
3.66 m / 6.10 m / 6.50 m

General Information of Temper Designations for Aluminium, and Industrial Shaping of Metals

Sub-divisions of "T" Temper-Heat-Treatable Aluminium Alloys

T1

Cooled from an elevated temperature shaping process and naturally aged to a substantially stable condition. Usually associated with extruded products and limited to the 6XXX series alloys.

T2

Cooled from an elevated temperature shaping process, cold worked, and naturally aged to a substantially stable condition. Usually associated with cast products.

T3

Solution heat-treated, cold worked, and naturally aged to a substantially stable condition. (T4+cold work)

T4

Solution heat-treated, and naturally aged to a substantially stable condition.

T5

Cooled from an elevated temperature shaping process and artificially aged. Usually associated with extruded products in the 6XXX series alloys. (T1+artificial age)

T6

Solution heat-treated, and artificially aged. (T4+artificial age)

T7

Solution heat-treated, and over-aged/stabilized. Applies to alloy products which are thermally over-aged after solution heat-treatment to carry them beyond the point of maximum strength to provide control of some special characteristic.

T8

Solution heat-treated, cold worked, and artificially aged. (T3+artificial age)

T9

Solution heat-treated, artificially aged and cold worked. (T6+artificial age)

T10

Cooled from an elevated temperature shaping process, cold worked and, and artificially aged. Usually associated with cast products (T2+artificial age)

T66

Solution heat - treated and then artificially aged - mechanical property level higher than T6 achieved through special control of the process 6000 series alloys.

Shaping of Metals

By Casting : Components are produced by pouring molten metal or alloy in to some form of mould cavity which will give to the component its final shape.

By Hot-working : Hot-working processes involve the use of compressive forces as in forging, rolling, and extrusion. Main hot-working processes are hot-rolling, forging, drop-forging, heading, hot-pressing, and extrusions.

Cold-working : Processes involving the pulling or drawing of metal through a die are always cold-working operations. Cold-working operations usually employ tensile forces to deform the metal. Cold-working processes used in metallurgical industries are cold-rolling, drawing of solid and hollow sections, cold-pressing and deep-drawing, and coining.

Higgins, R.A., *Engineering Metallurgy*, Viva Books Private Limited, 1988.

Maintenance of windows, doors & facades : Recommended to clean the fabricated/installed Aluminium frames at least two times per year.

Bimetallic Corroton / Galvanic reaction : It is advised to use recommended metal accessories made out of SS 316 and Aluminium extruded Alloys for Aluminium systems/profile fabrication works to maintain longevity of the final product.

Transport,handling & Storage of Aluminium profiles :

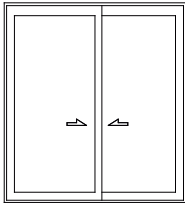
- Without protective tapes
- With protective tapes
- With packaging
- Without packaging

Please ensure that the Alumex profiles and systems are being transported, stored and handled as per the recommended methods and guidelines introduced by Alumex PLC.

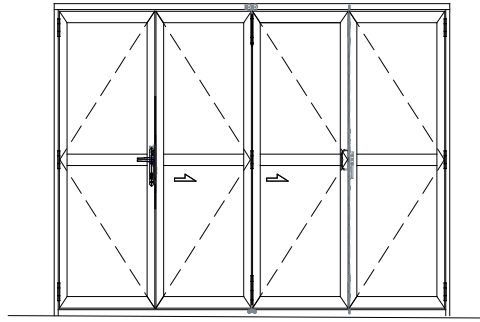
For future details please refer “Care and Maintenance Guide” of Alumex profiles and systems.

Note : Please contact marketing department for the minimum quantity requirements & available cut lengths.

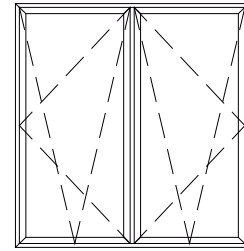
If your desired designs are not here,please contact us.



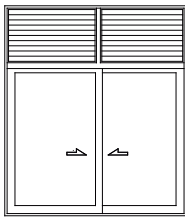
SLIDING



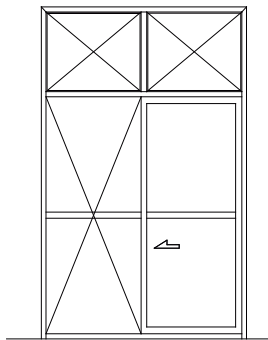
SLIDING & FOLDING DOOR



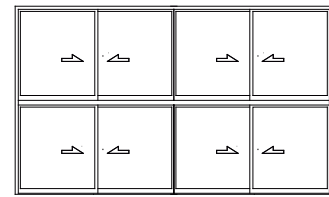
TILT & TURN



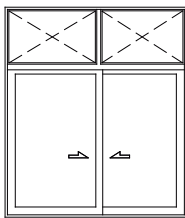
SLIDING & LOUVER



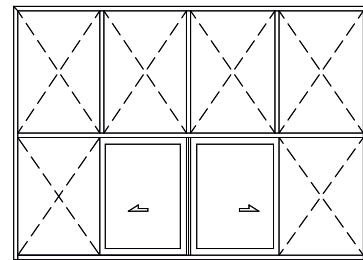
SLIDING DOUBLE GLAZING



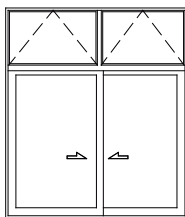
DOUBLE SLIDING



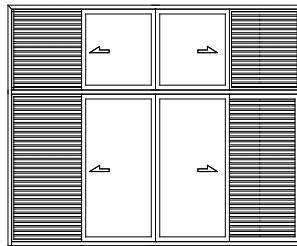
SLIDING TOP FIXED



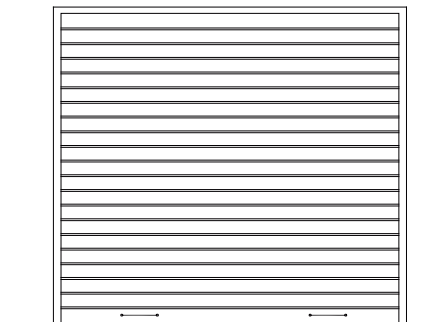
SLIDING & FIXED



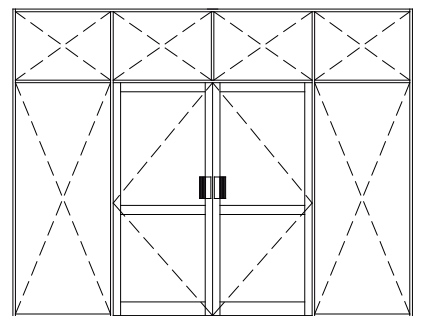
SLIDING & TOP HUNG



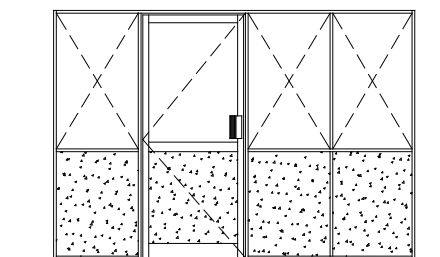
SLIDING & LOUVER



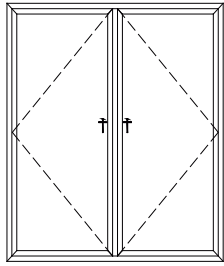
ROLLER SHUTTER



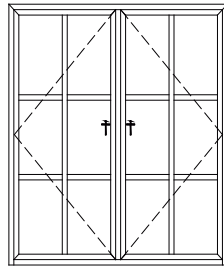
SHOPFRONT



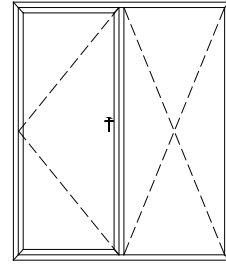
PARTITION



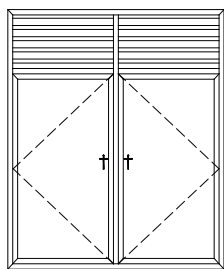
CASEMENT



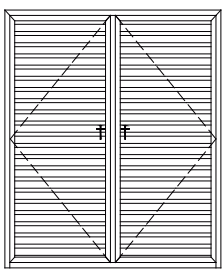
CASEMENT - DIVIDED



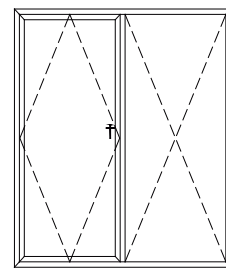
FIXED & CASEMENT



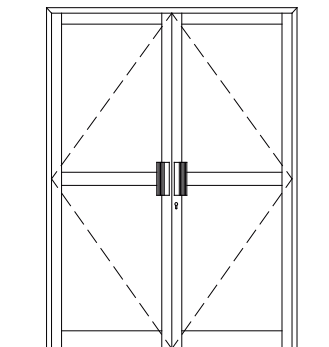
CASEMENT & TOP LOUVER



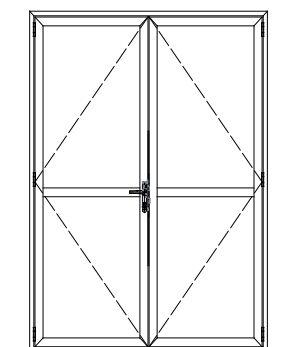
CASEMENT - LOUVER



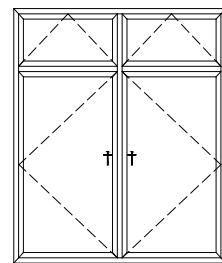
FIXED & PIVOT



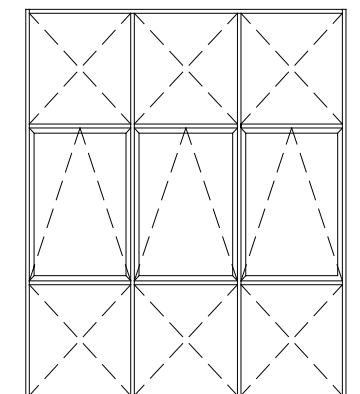
DOUBLE DOOR



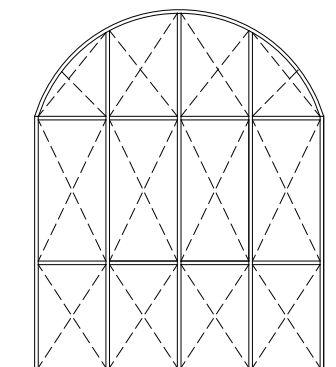
DOUBLE DOOR - LAPPED



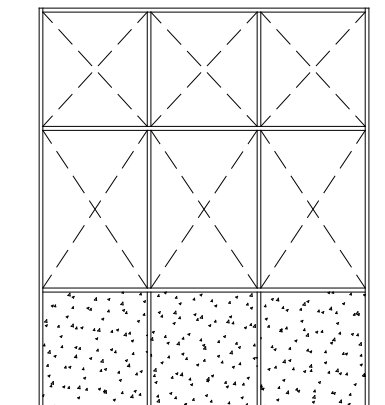
CASEMENT & TOP HUNG



CURTAIN WALL



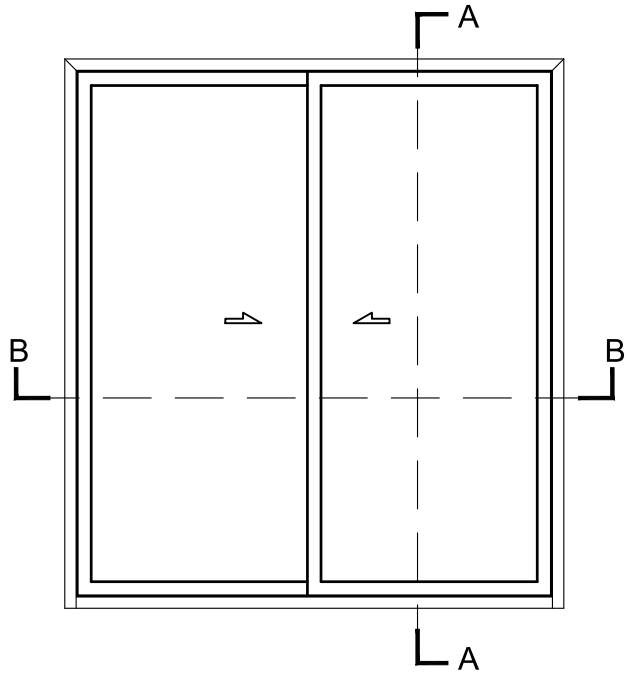
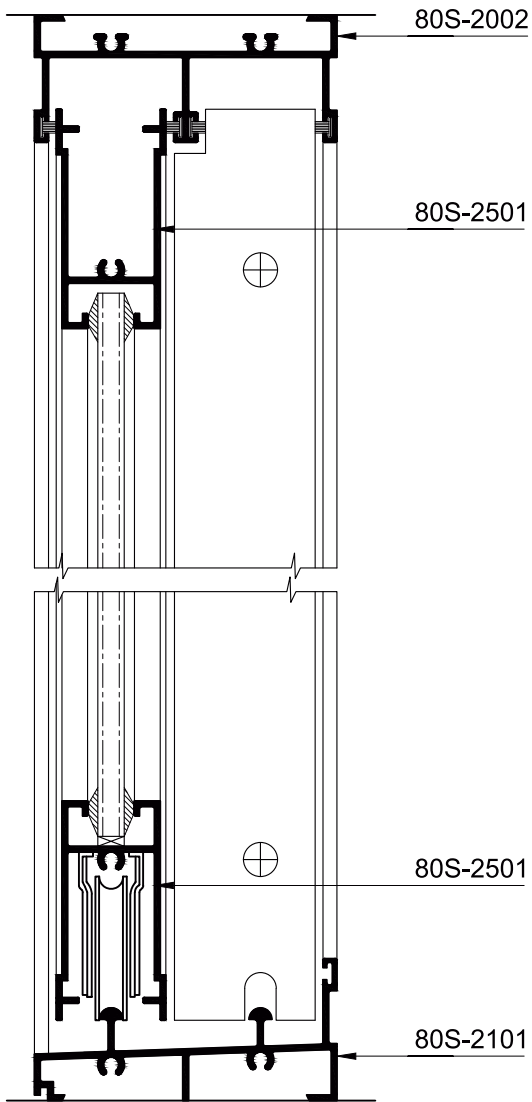
SHOPFRONT



PARTITION

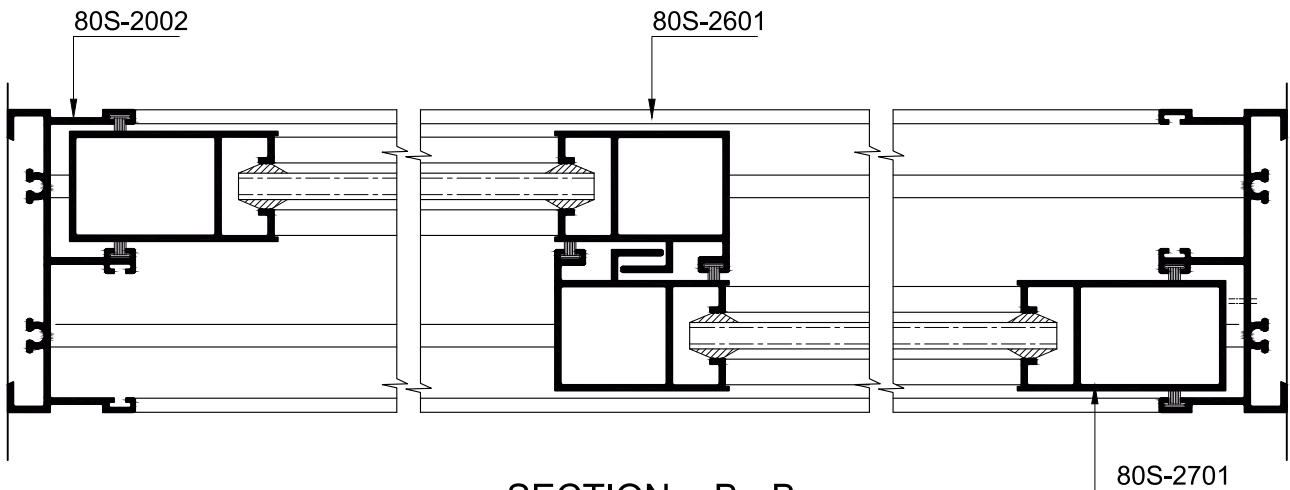
80mm Sliding

Group 02
Page 01



ELEVATION

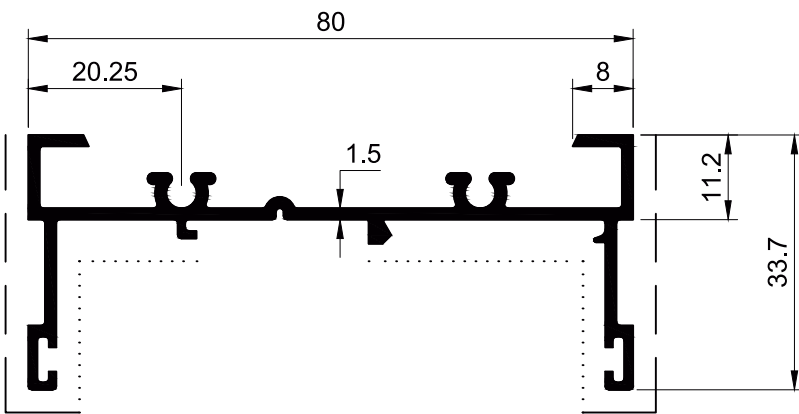
SECTION :- A - A



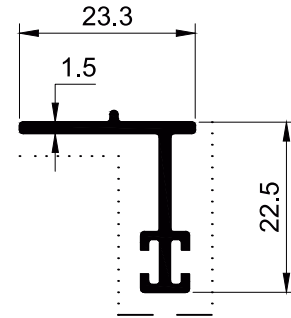
SECTION :- B - B

80mm Sliding

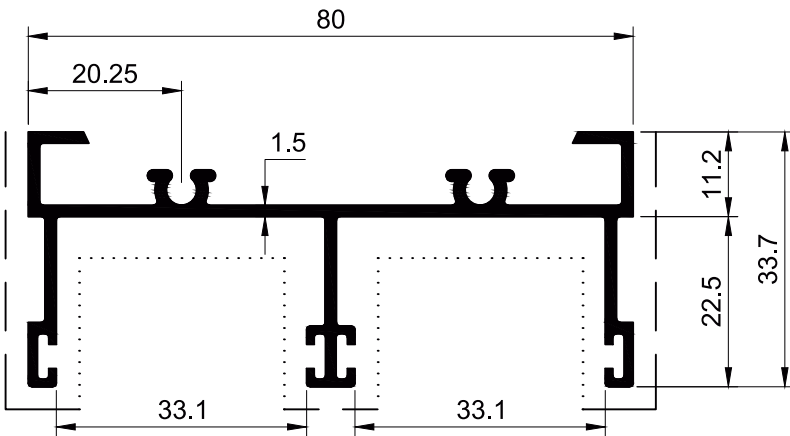
Group 02
Page 02



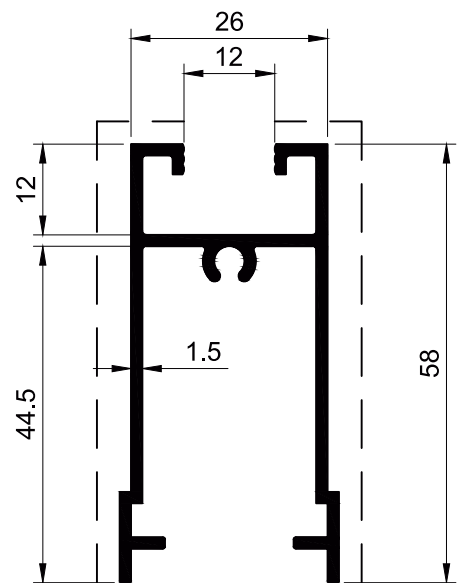
SECTION NO. - 80S-2001
EST. WEIGHT - 0.823 KG./M.



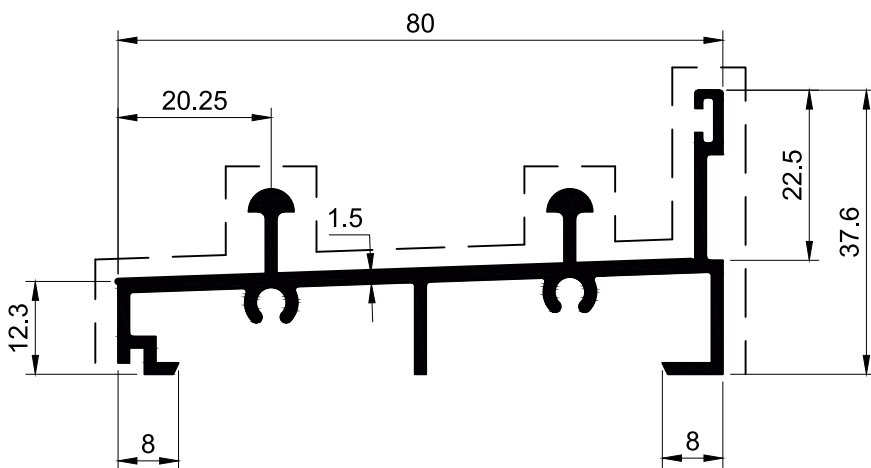
SECTION NO. - 80SFL-1001
EST. WEIGHT - 0.217 KG./M.



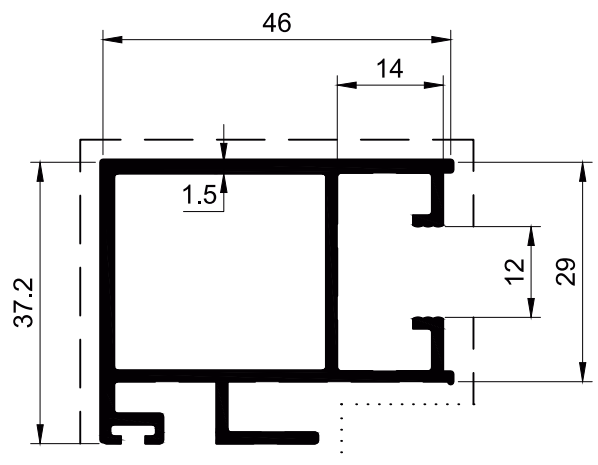
SECTION NO. - 80S-2002
EST. WEIGHT - 0.911 KG./M.



SECTION NO. - 80S-2501
EST. WEIGHT - 0.717 KG./M.



SECTION NO. - 80S-2101
EST. WEIGHT - 0.866 KG./M.

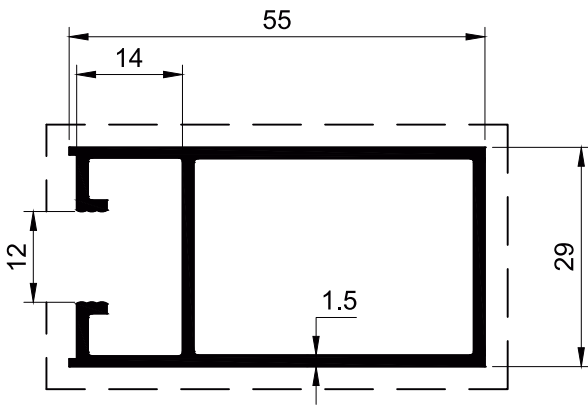


SECTION NO. - 80S-2601
EST. WEIGHT - 0.803 KG./M.

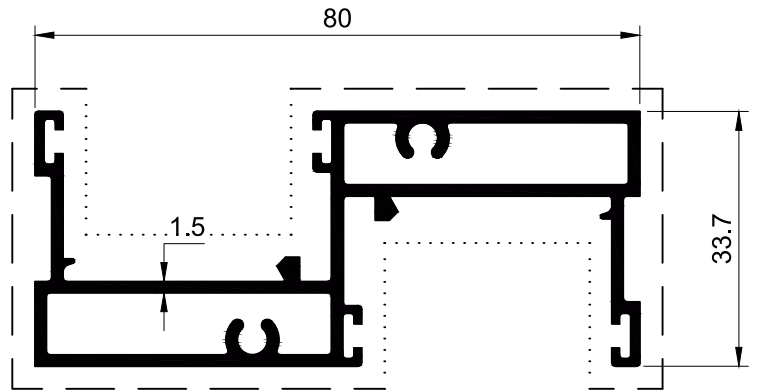
----- : Significant Surface
..... : Insignificant Surface

80mm Sliding

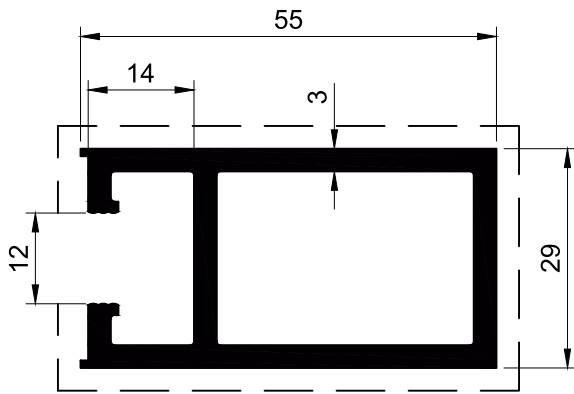
Group 02
Page 03



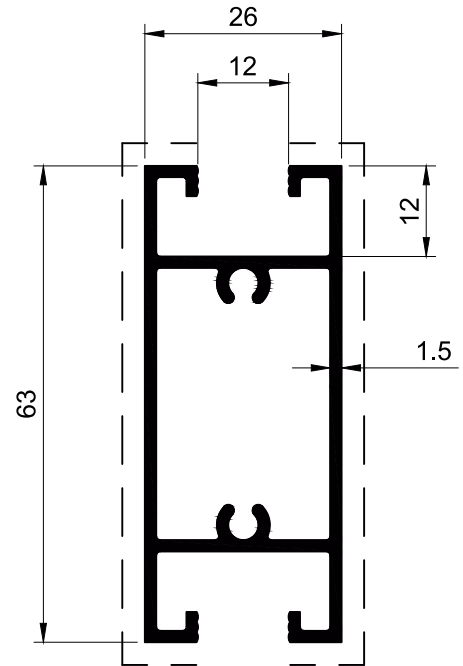
SECTION NO. - 80S-2701
EST. WEIGHT - 0.724 KG./M.



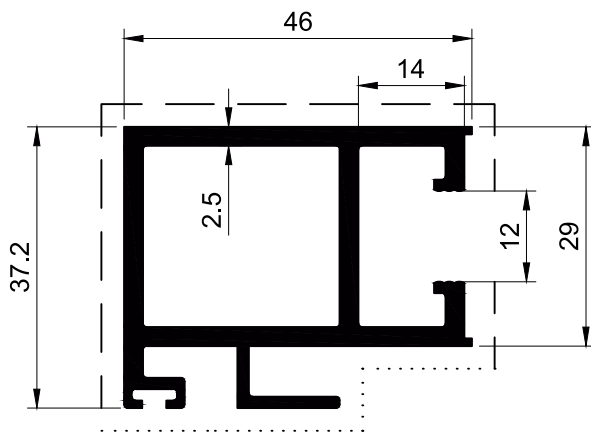
SECTION NO. - 80S-2201
EST. WEIGHT - 1.237 KG./M.



SECTION NO. - 80S-2701H
EST. WEIGHT - 1.350 KG./M.



SECTION NO. - 80S-2801
EST. WEIGHT - 0.909 KG./M.

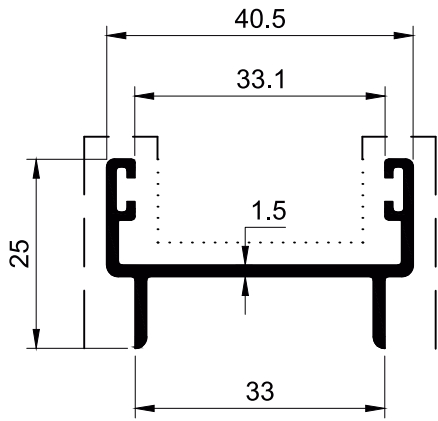


SECTION NO. - 80S-2601H
EST. WEIGHT - 1.194 KG./M.

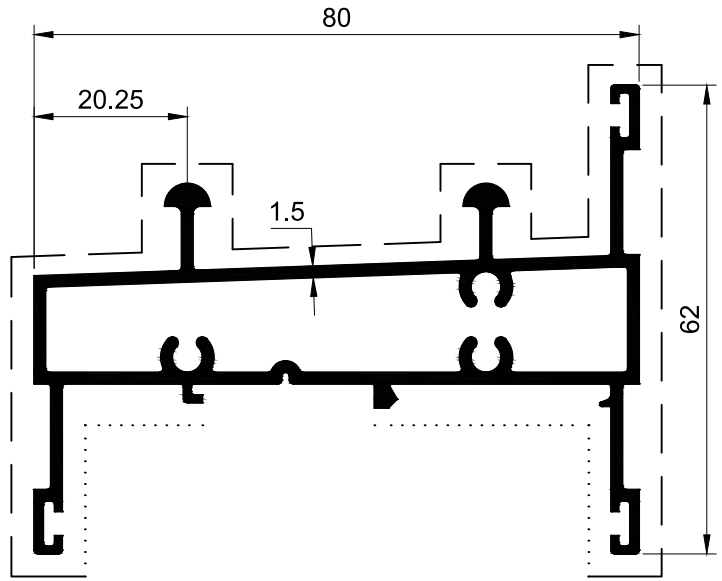
----- : Significant Surface
..... : Insignificant Surface

80mm Sliding

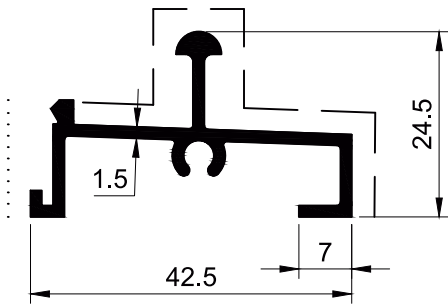
Group 02
Page 04



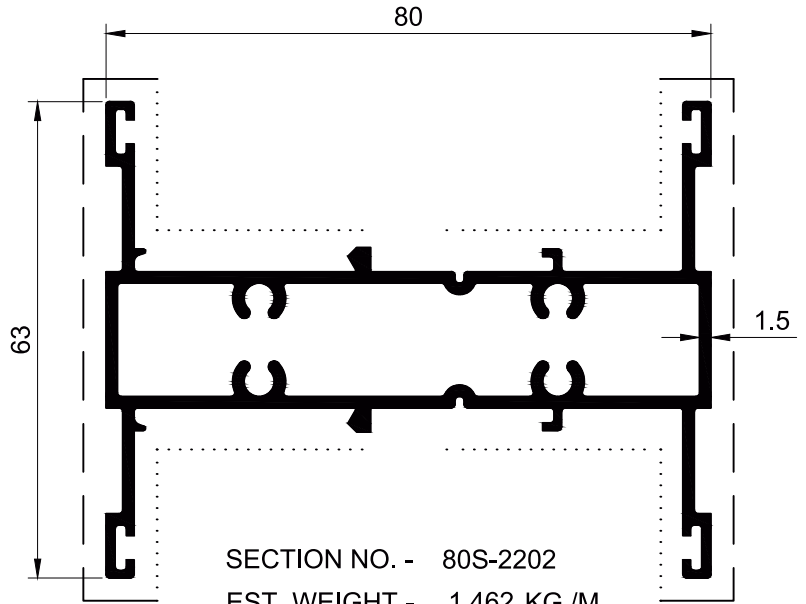
SECTION NO. - 80S-2901
EST. WEIGHT - 0.379 KG./M.



SECTION NO. - 80S-2301
EST. WEIGHT - 1.391 KG./M.



SECTION NO. - SS-2101
EST. WEIGHT - 0.420 KG./M.

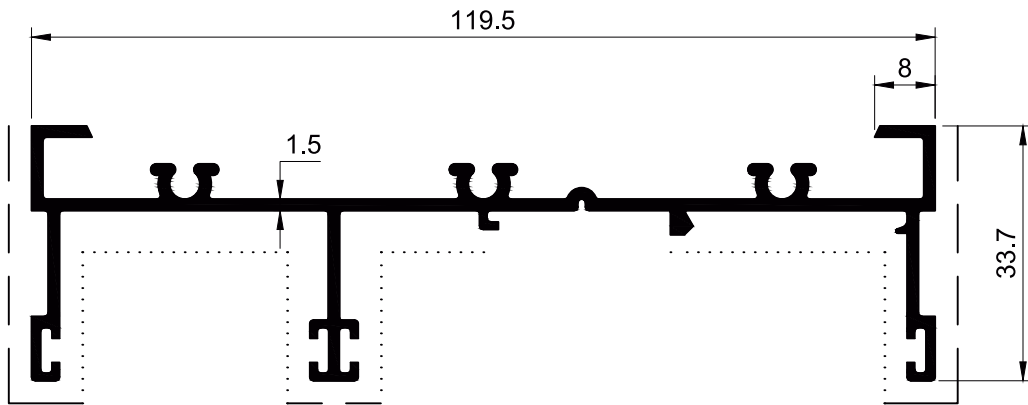


SECTION NO. - 80S-2202
EST. WEIGHT - 1.462 KG./M.

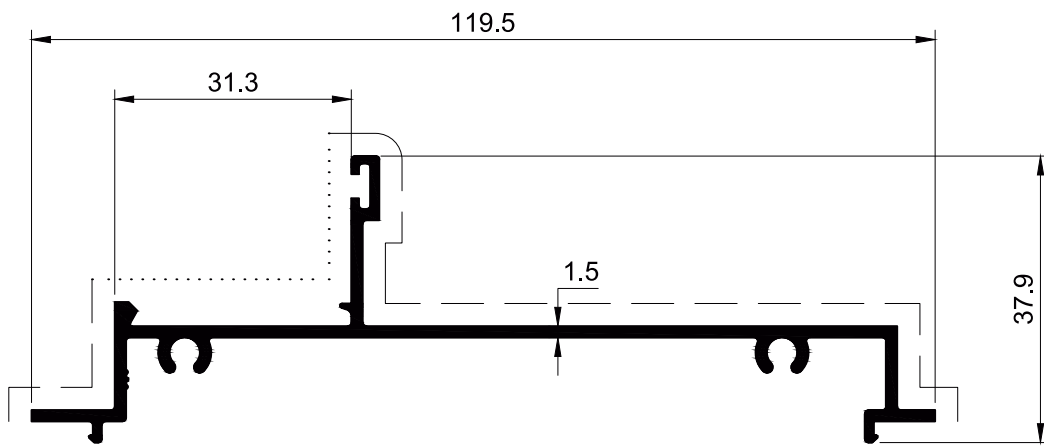
----- : Significant Surface
..... : Insignificant Surface

80mm Sliding

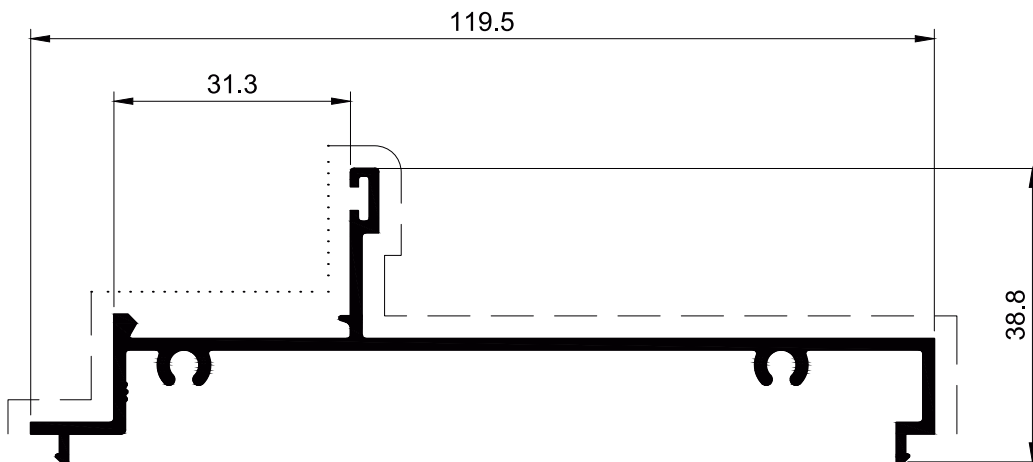
Group 02
Page 05



SECTION NO. - 80S-2001A
EST. WEIGHT - 1.168 KG./M.



SECTION NO. - 80SFL-1005
EST. WEIGHT - 0.823 KG./M.

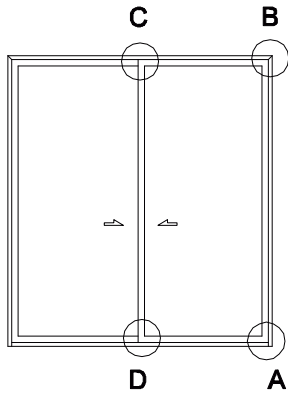


SECTION NO. - 80SFL-1006
EST. WEIGHT - 0.831 KG./M.

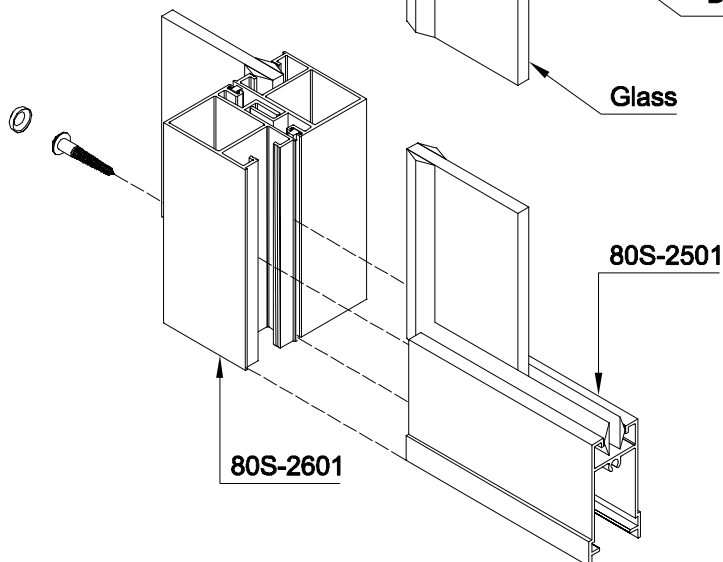
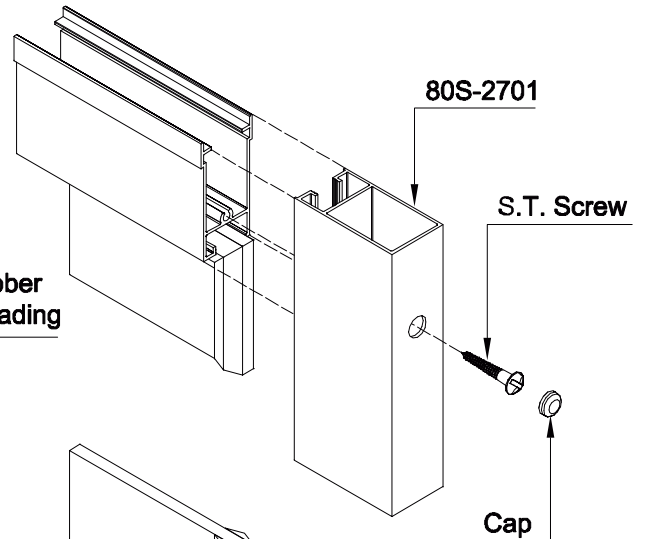
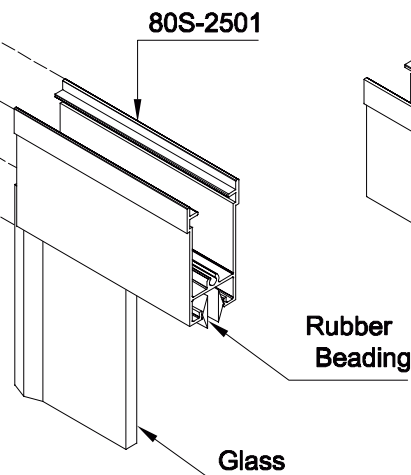
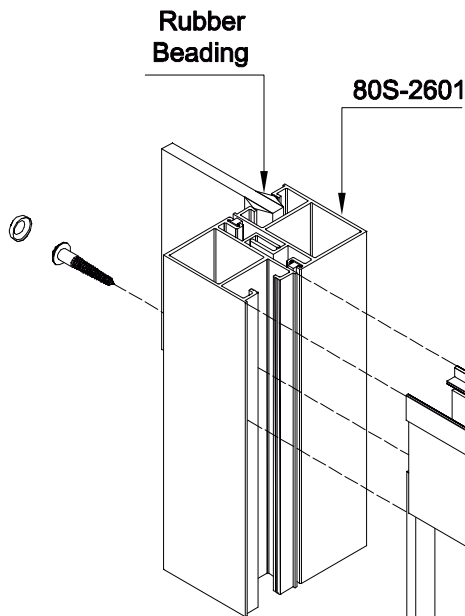
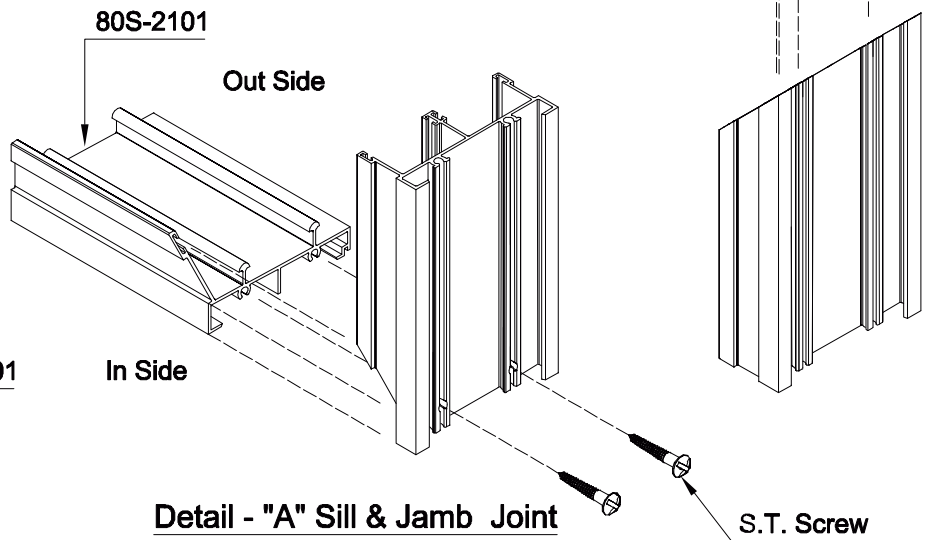
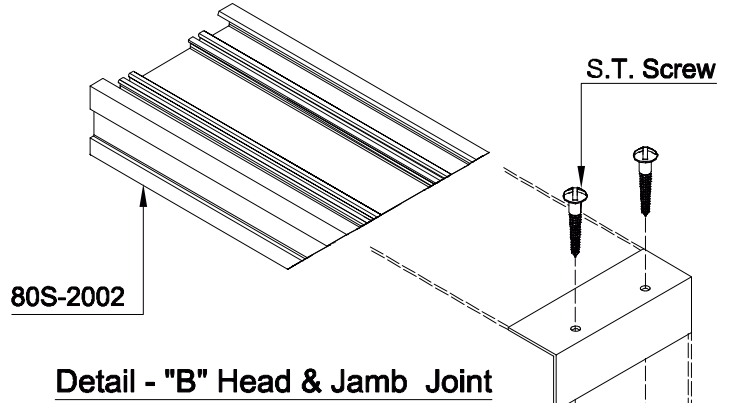
----- : Significant Surface
..... : Insignificant Surface

3D Assembly Detail Of 80mm Sliding

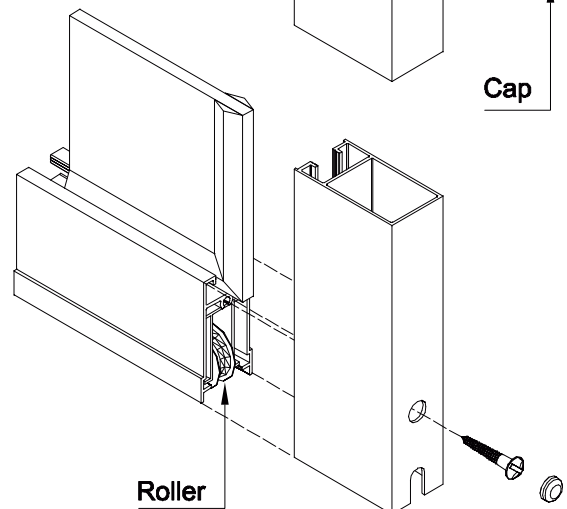
Group 02
Page 06



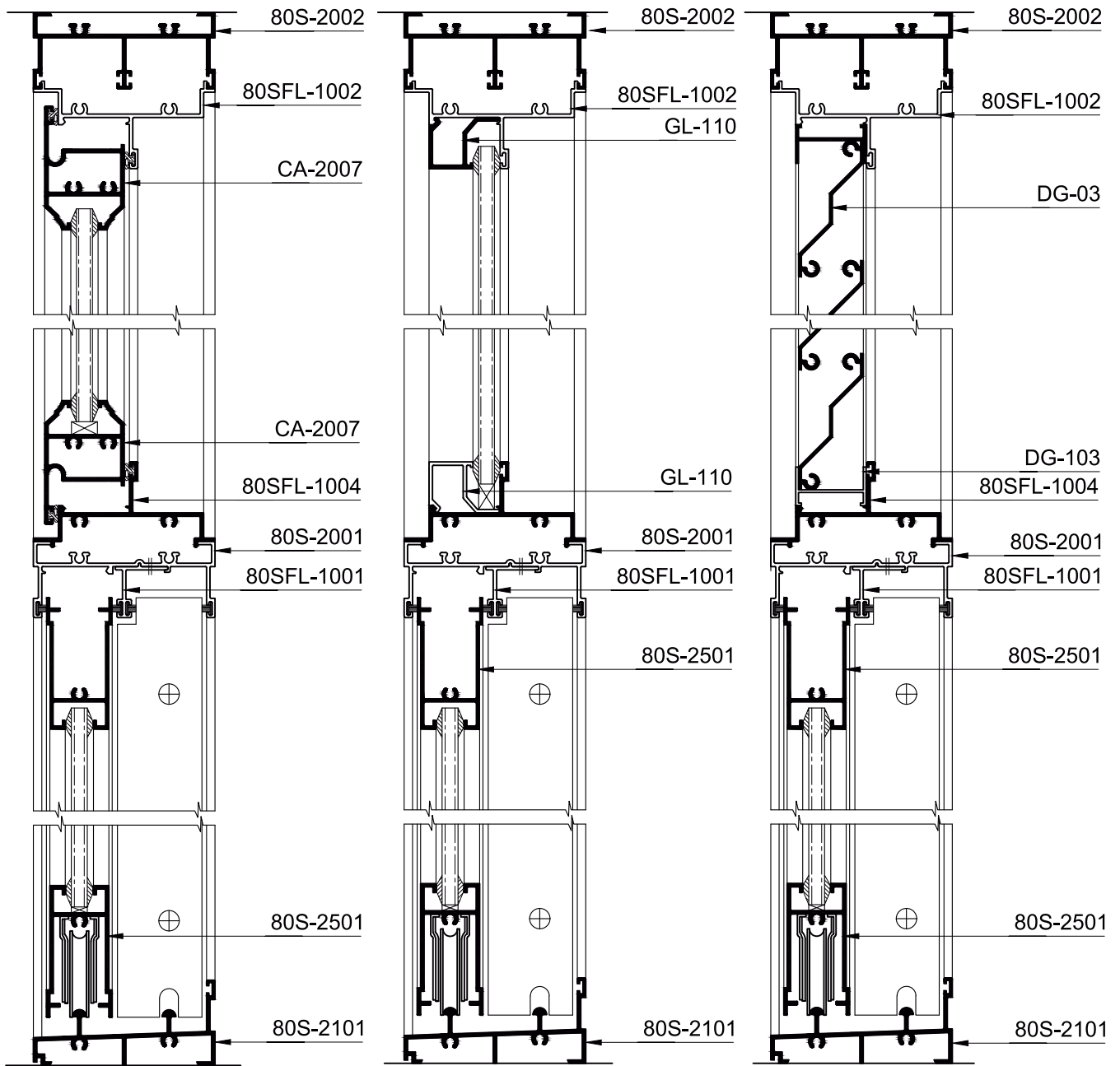
Elevation



Detail - "A", "B" & "C", "D"
Sash Joint



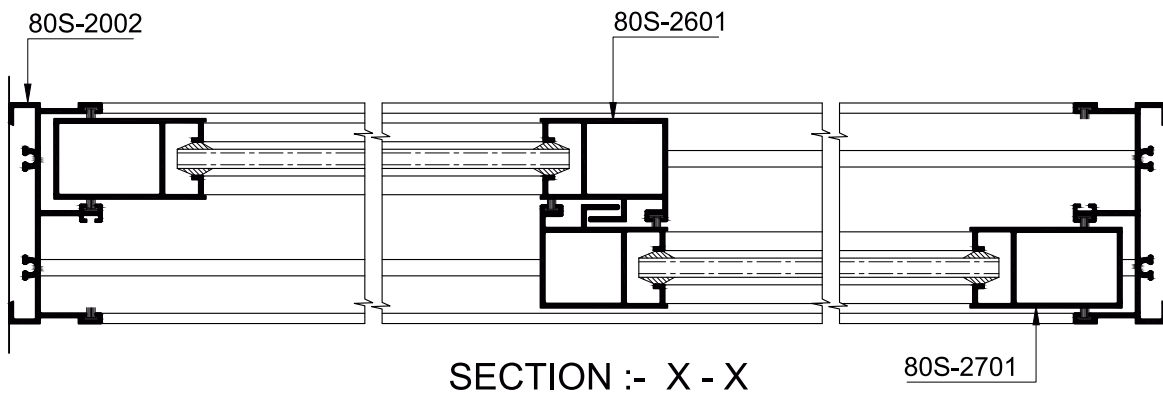
80mm Sliding



SECTION :- A - A

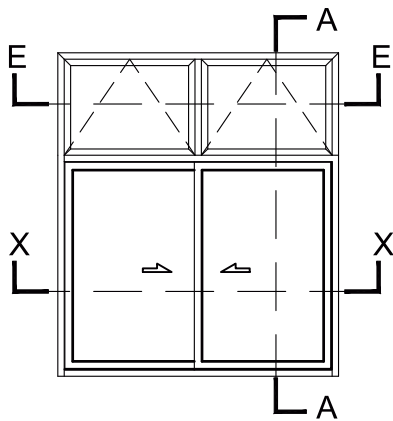
SECTION :- B - B

SECTION :- C - C

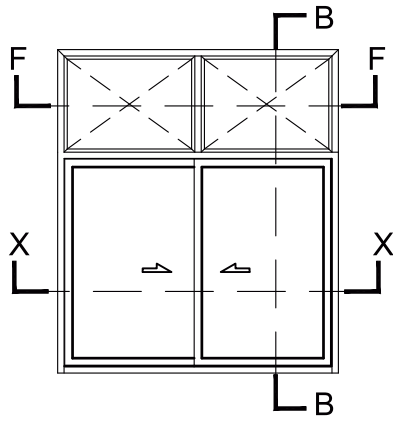


SECTION :- X - X

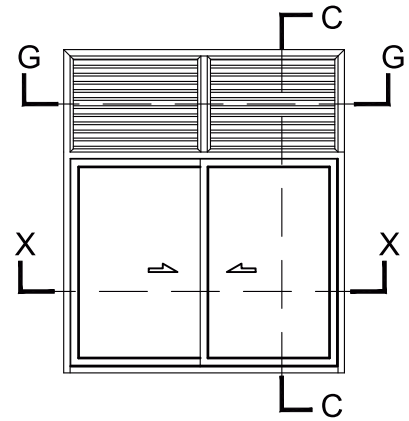
80mm Sliding



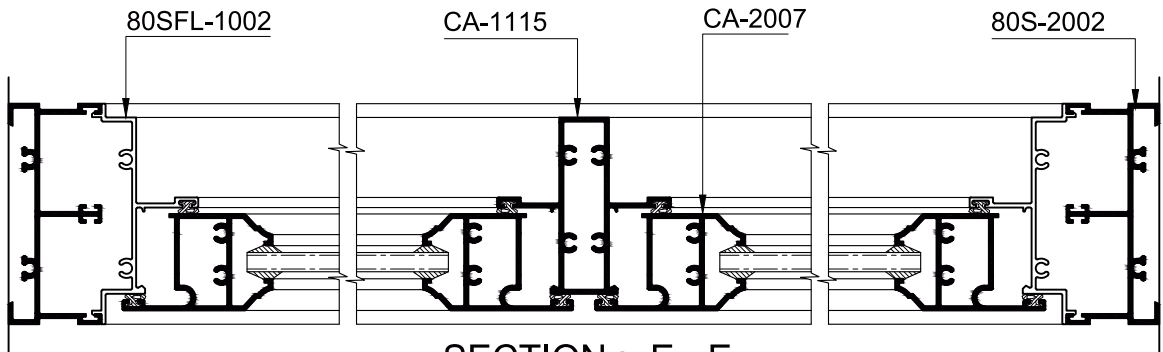
SLIDING WITH
TOP HUNG



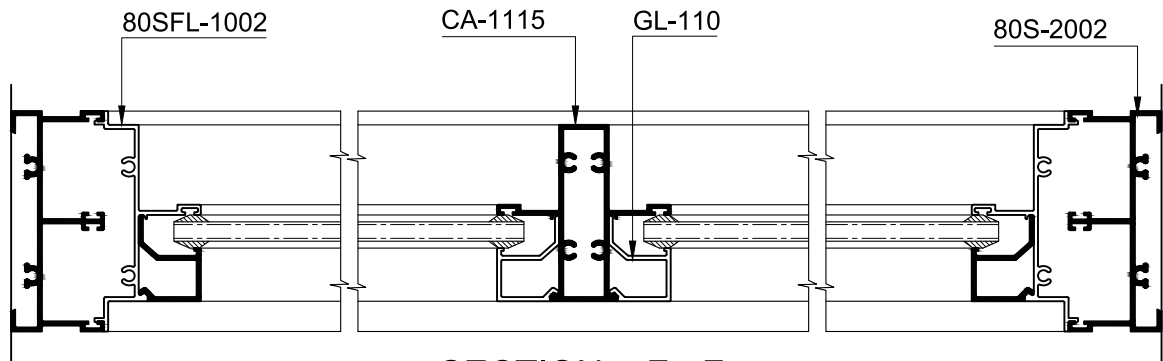
SLIDING WITH
TOP FIXED



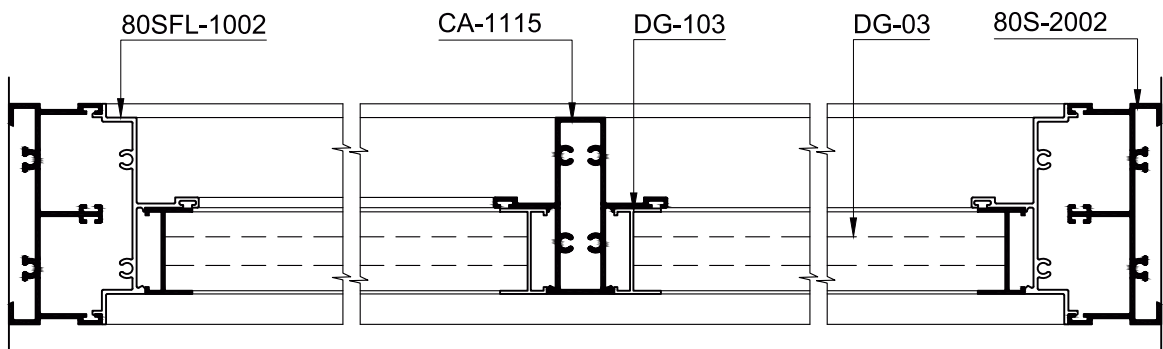
SLIDING WITH
TOP LOUVER



SECTION :- E - E



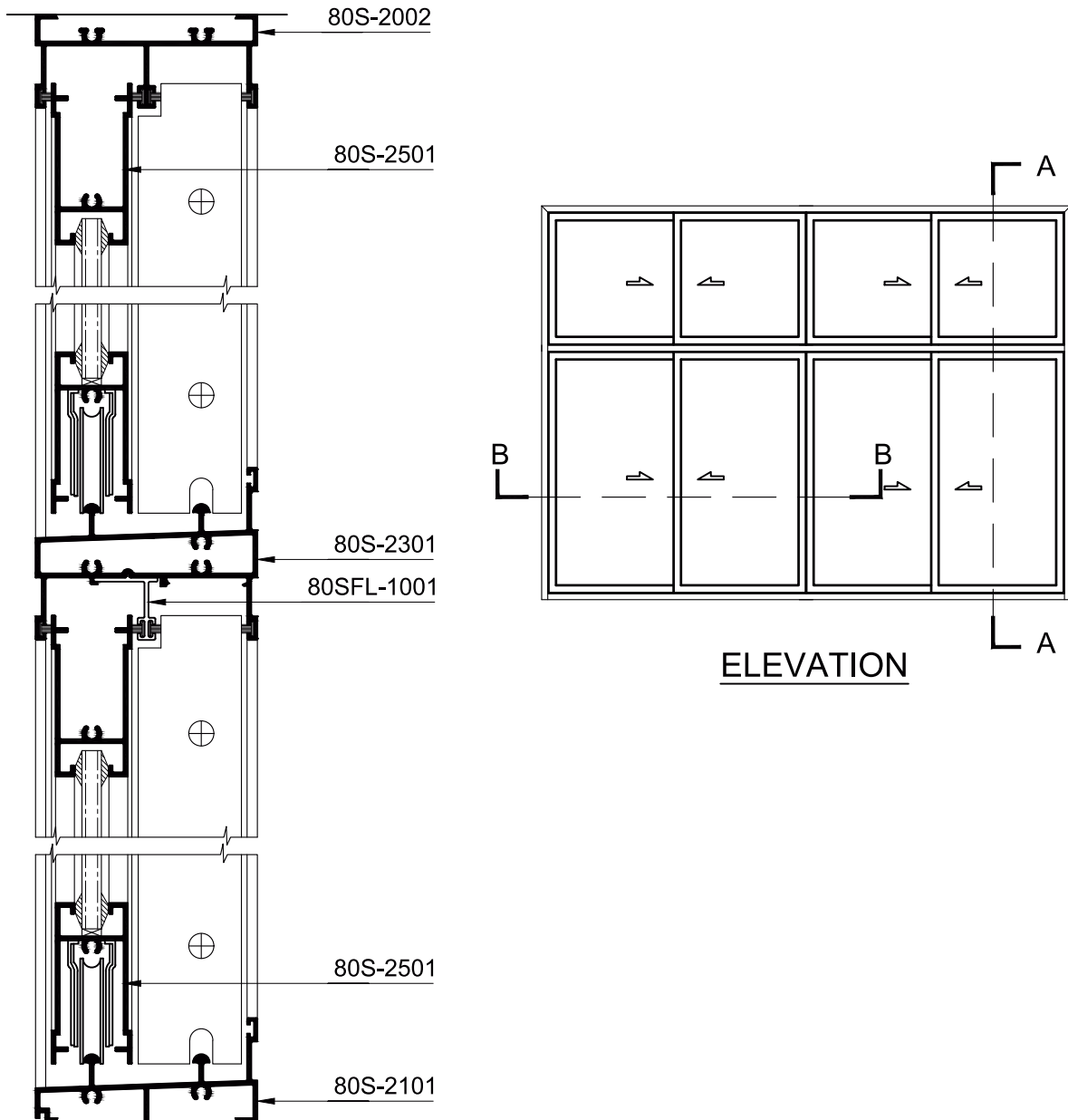
SECTION :- F - F



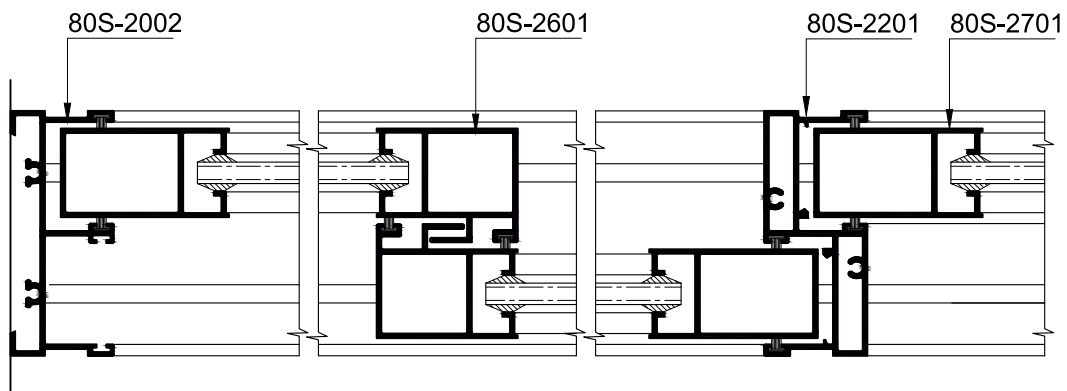
SECTION :- G - G

80mm Sliding

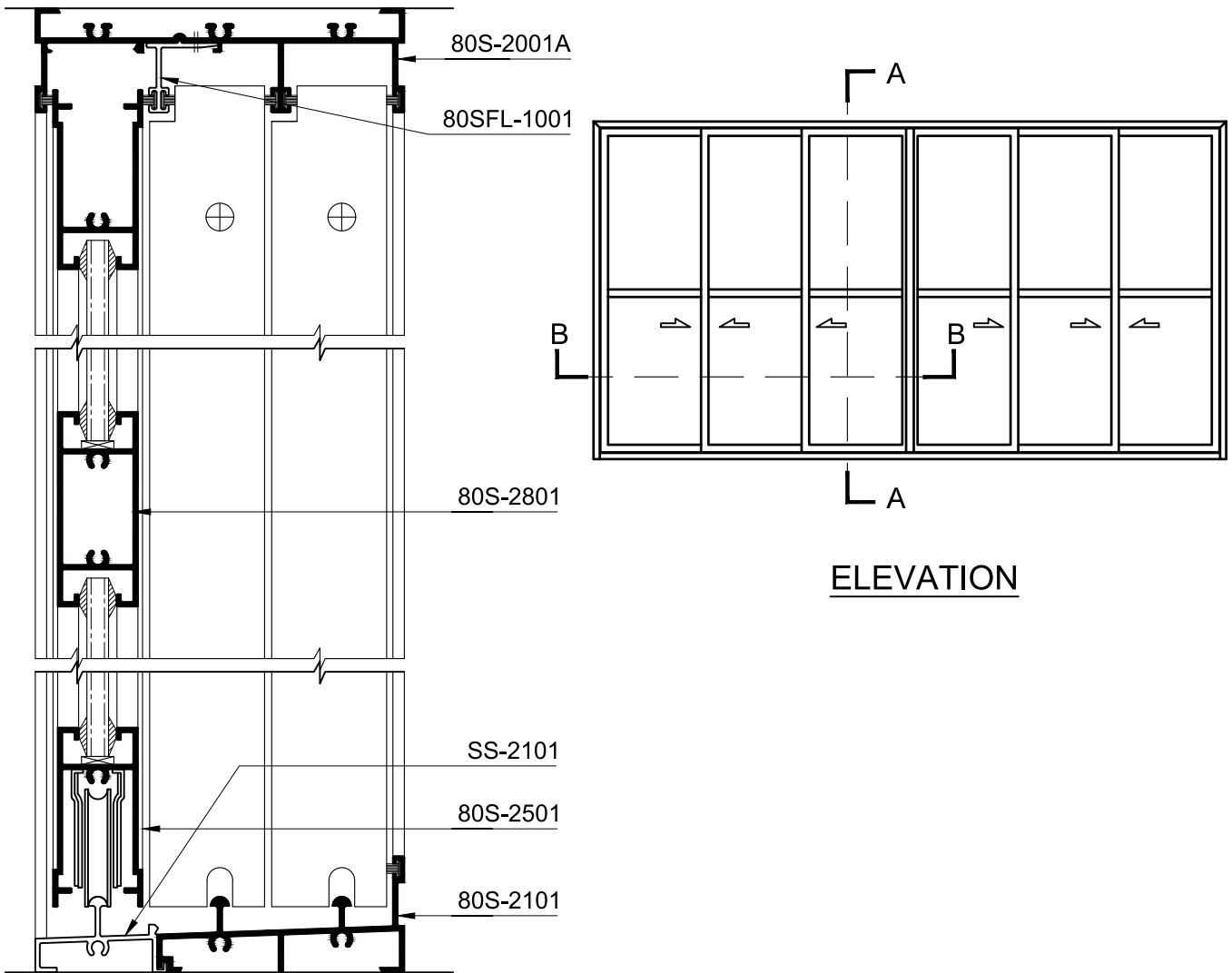
Group 02
Page 09



SECTION :- A - A

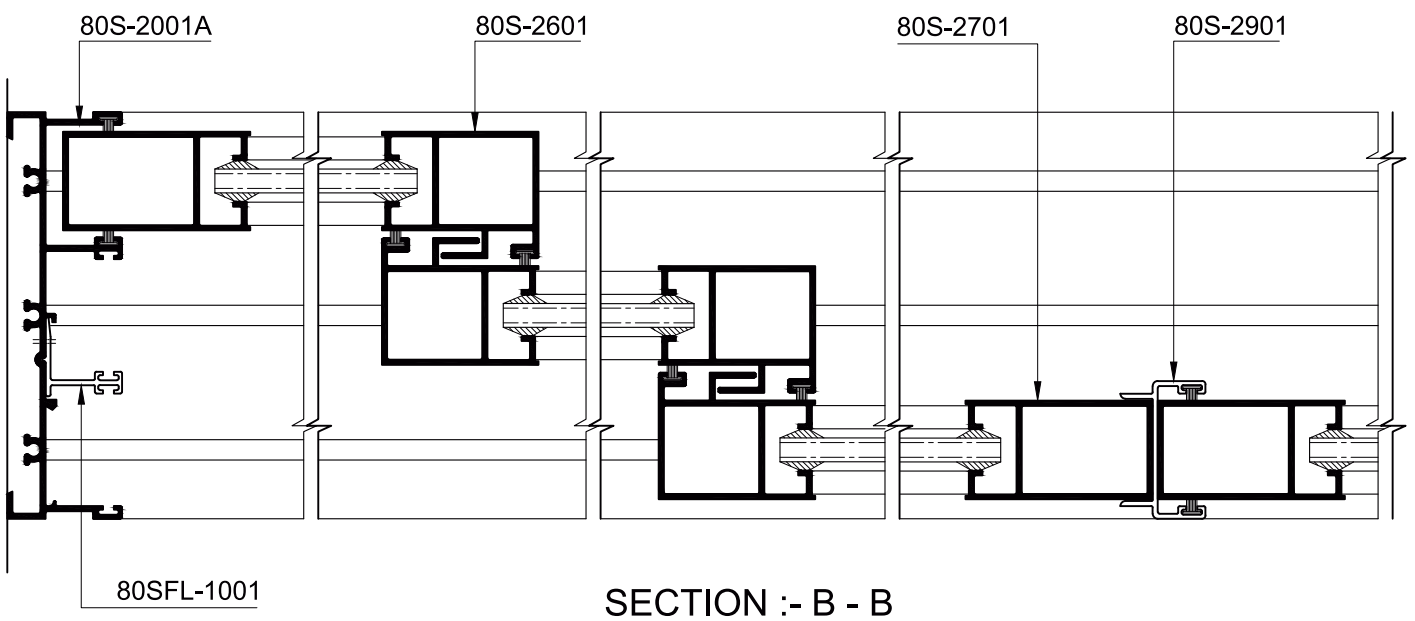


SECTION :- B - B

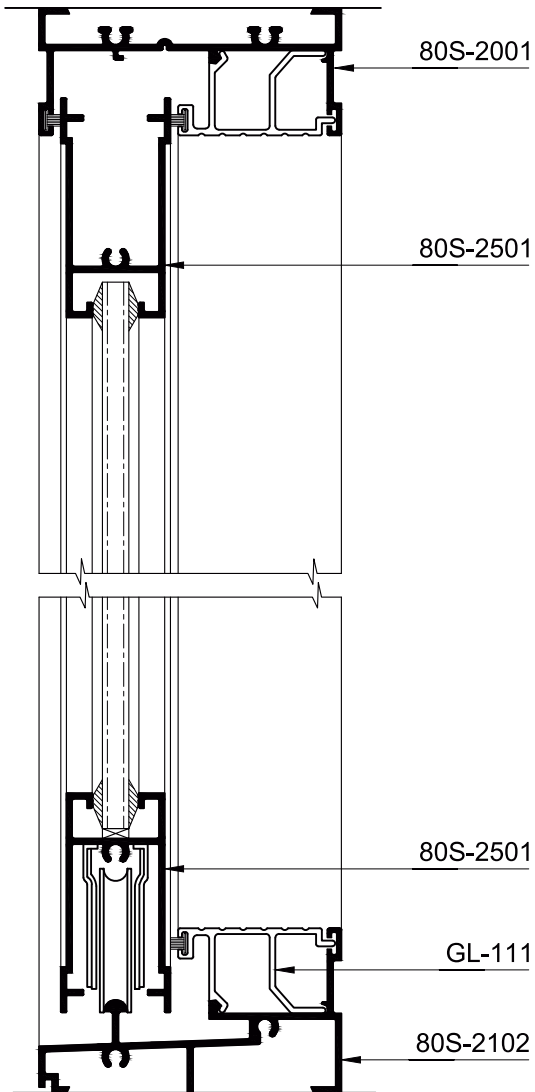


SECTION :- A - A

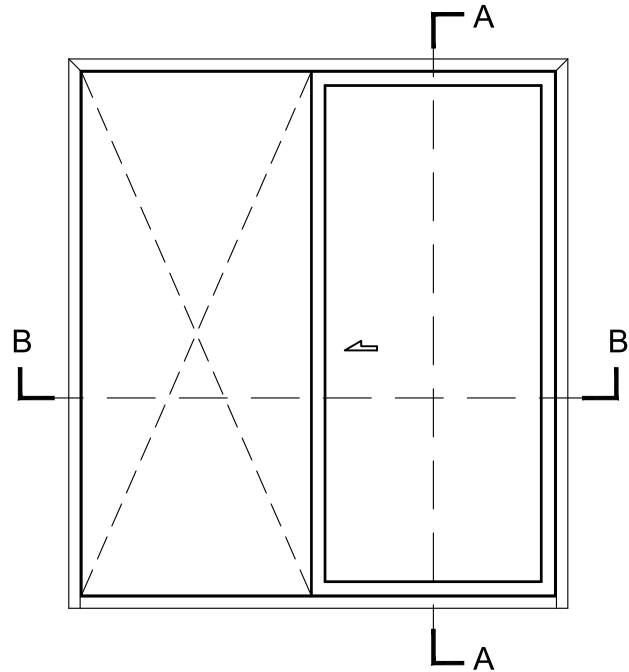
ELEVATION



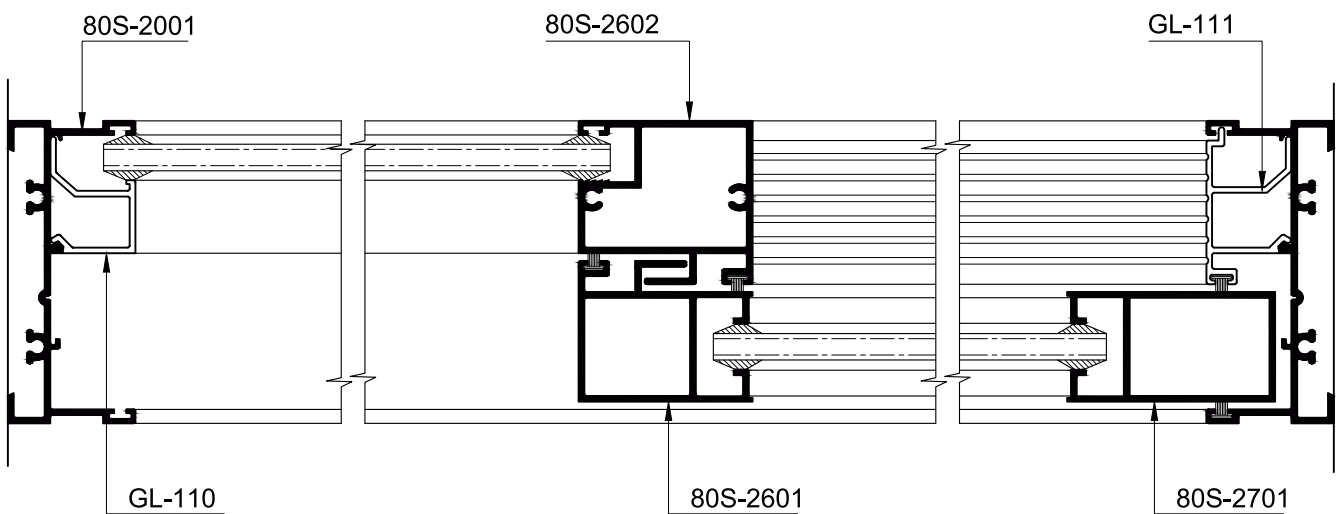
SECTION :- B - B



SECTION :- A - A



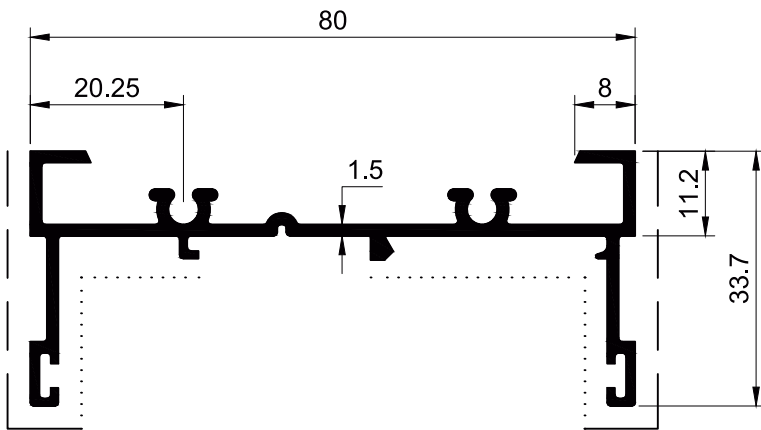
ELEVATION



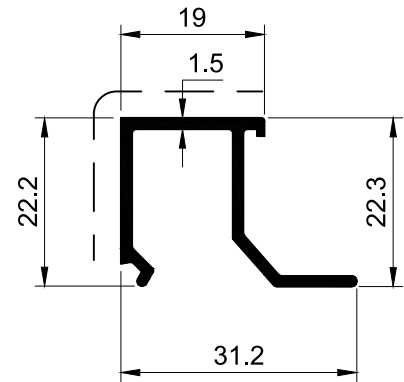
SECTION :- B - B

80mm Sliding & Fixed

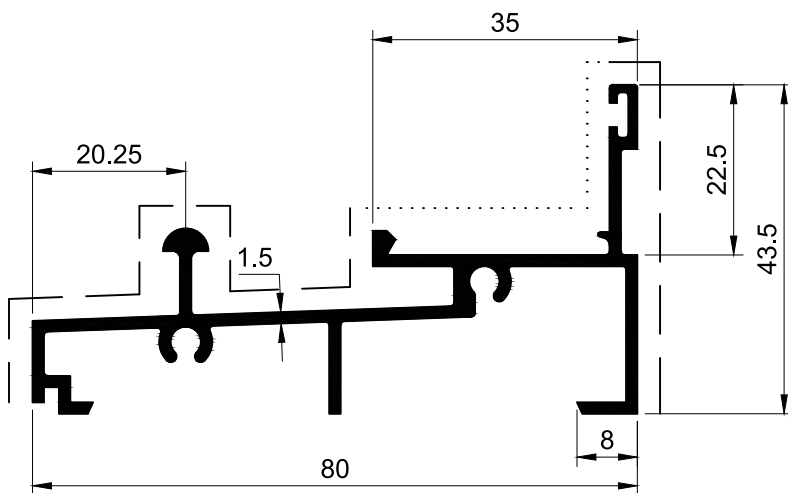
Group 02
Page 12



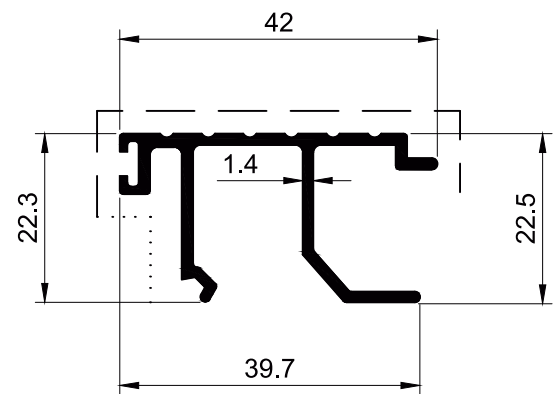
SECTION NO. - 80S-2001
EST. WEIGHT - 0.823 KG./M.



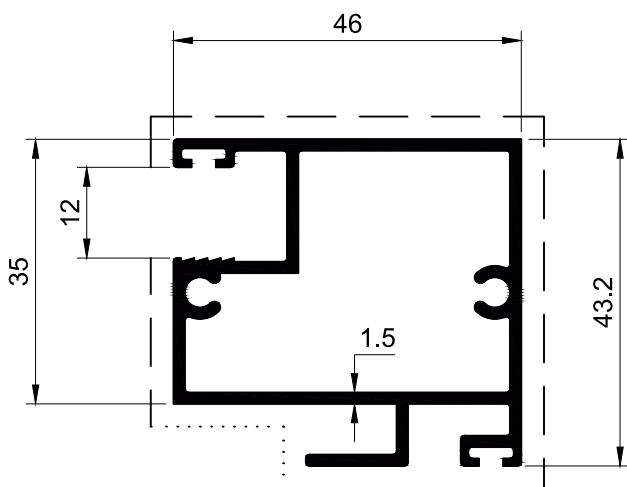
SECTION NO. - GL-110
EST. WEIGHT - 0.292 KG./M.



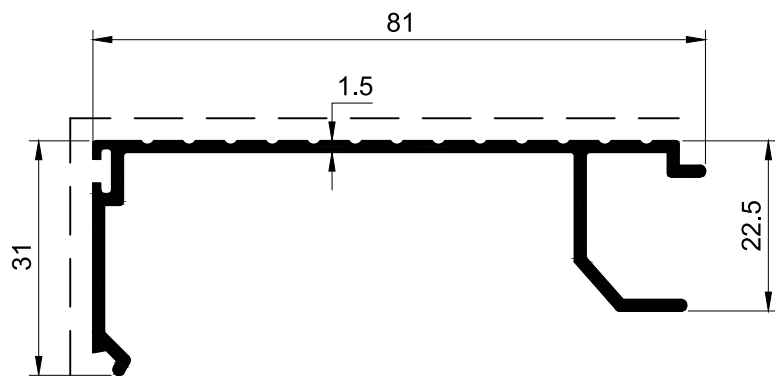
SECTION NO. - 80S-2102
EST. WEIGHT - 0.914 KG./M.



SECTION NO. - GL-111
EST. WEIGHT - 0.425 KG./M.



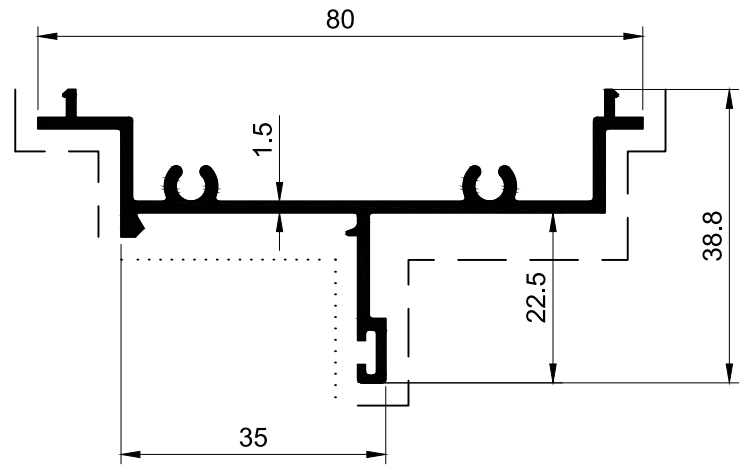
SECTION NO. - 80S-2602
EST. WEIGHT - 0.941 KG./M.



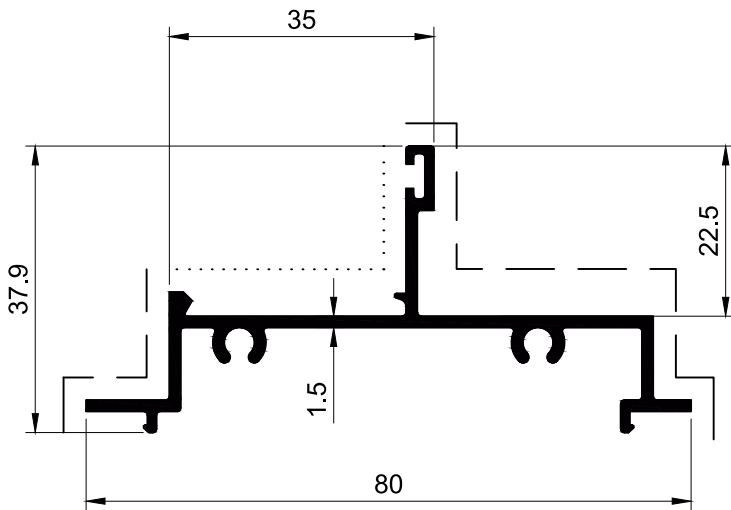
SECTION NO. - GL-112
EST. WEIGHT - 0.586 KG./M.

----- : Significant Surface
..... : Insignificant Surface

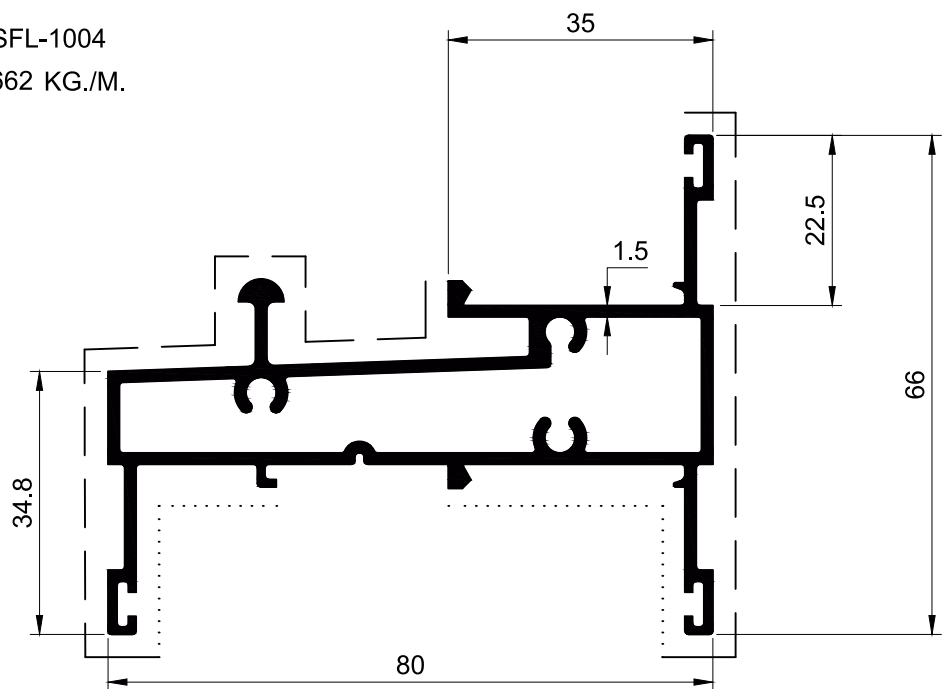
80mm Sliding & Fixed



SECTION NO. - 80SFL-1002
EST. WEIGHT - 0.656 KG./M.



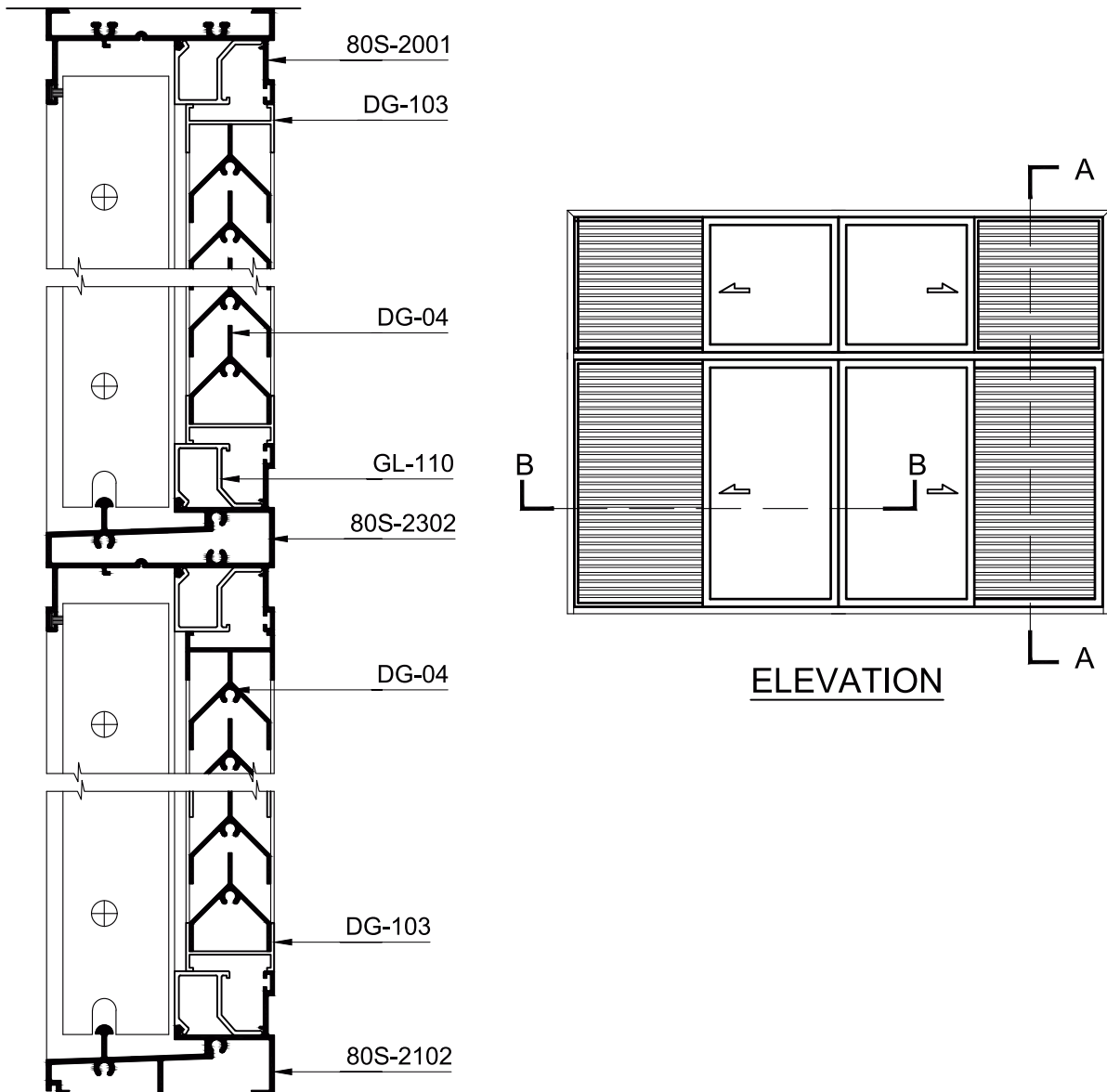
SECTION NO. - 80SFL-1004
EST. WEIGHT - 0.662 KG./M.



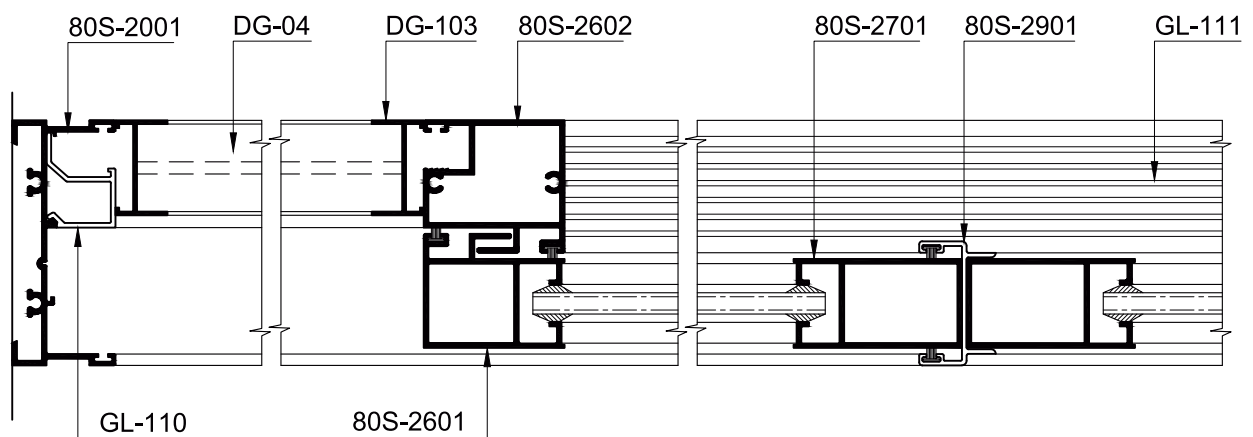
SECTION NO. - 80S-2302
EST. WEIGHT - 1.424 KG./M.

----- : Significant Surface
..... : Insignificant Surface

80mm Sliding & Fixed (Louver)

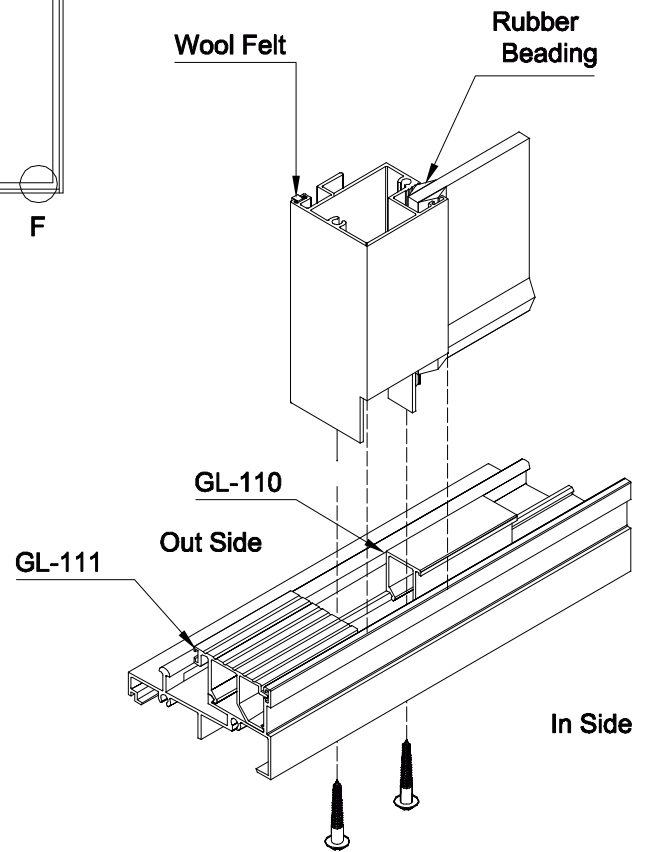
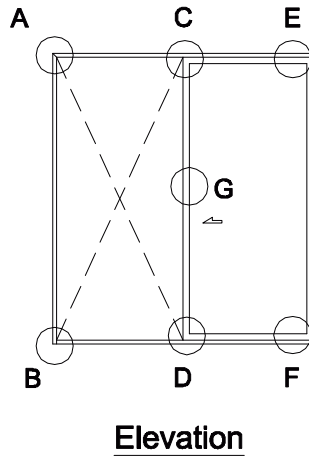
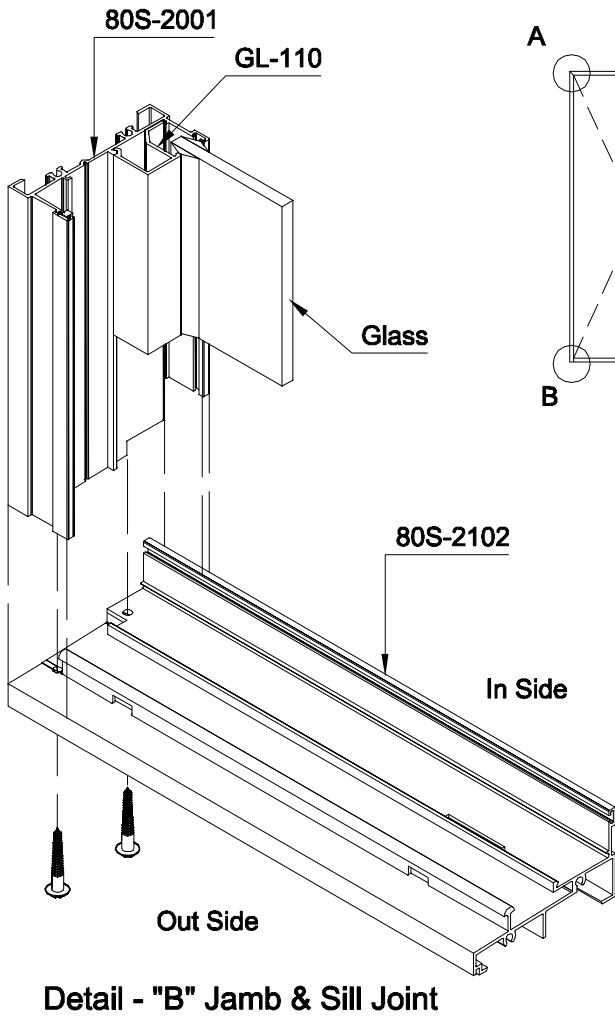
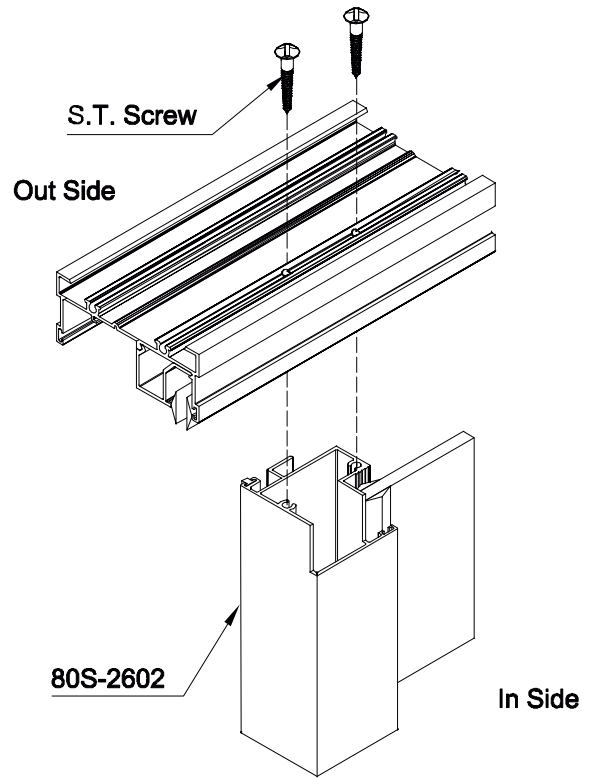
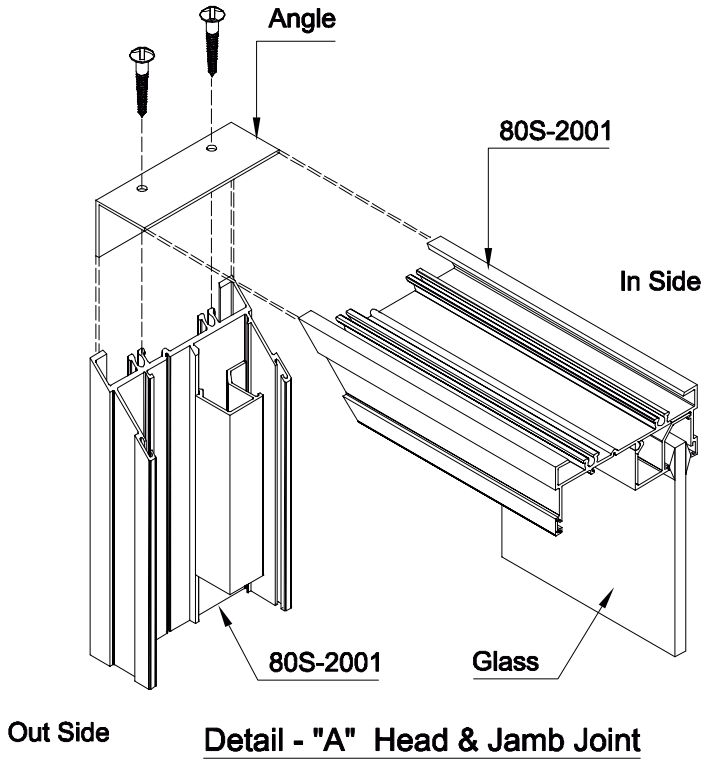


SECTION :- A - A

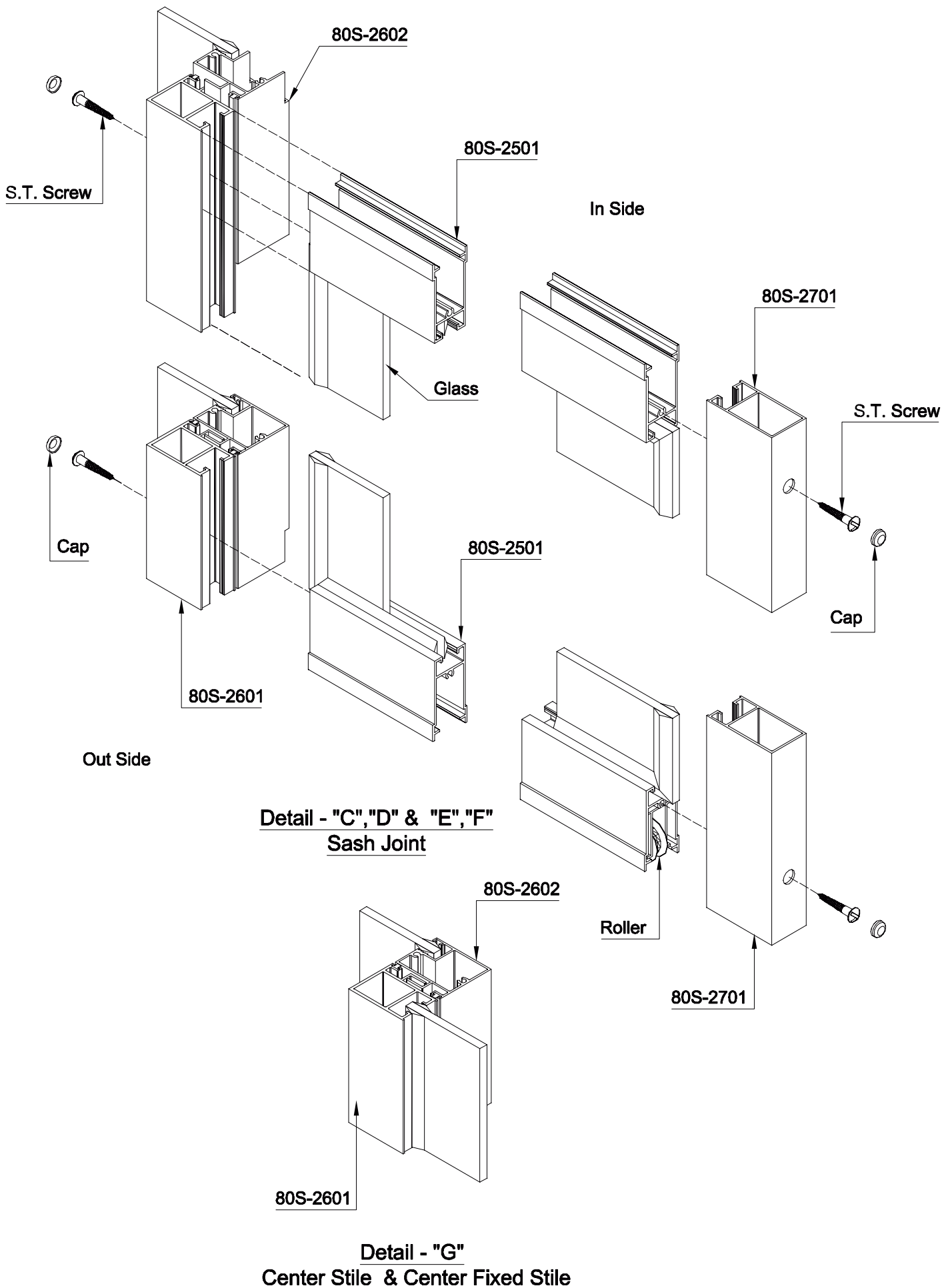


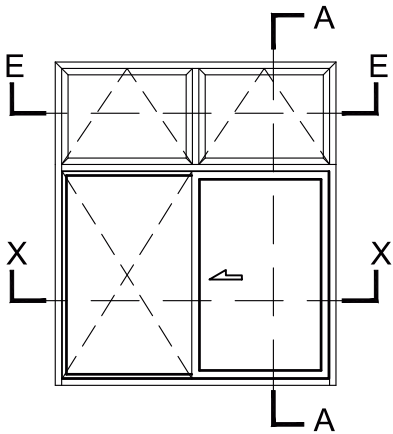
SECTION :- B - B

3D Assembly Detail Of 80mm Sliding Fixed

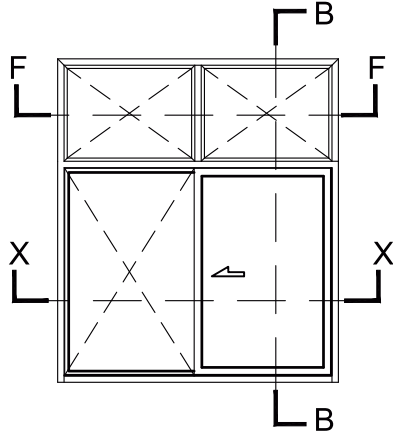


3D Assembly Detail Of 80mm Sliding Fixed

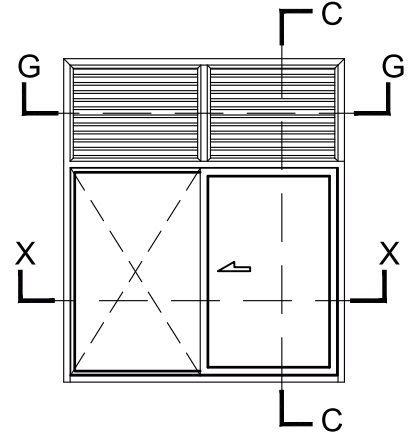




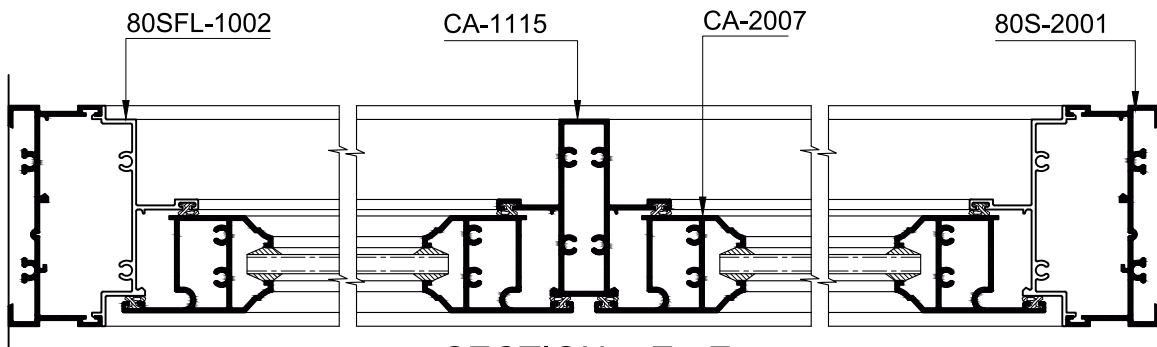
SLIDING FIX WITH
TOP HUNG



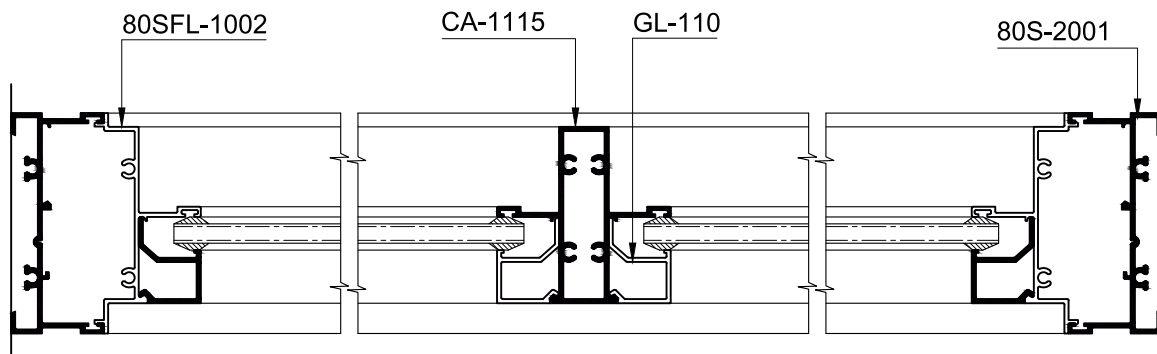
SLIDING FIX WITH
TOP FIXED



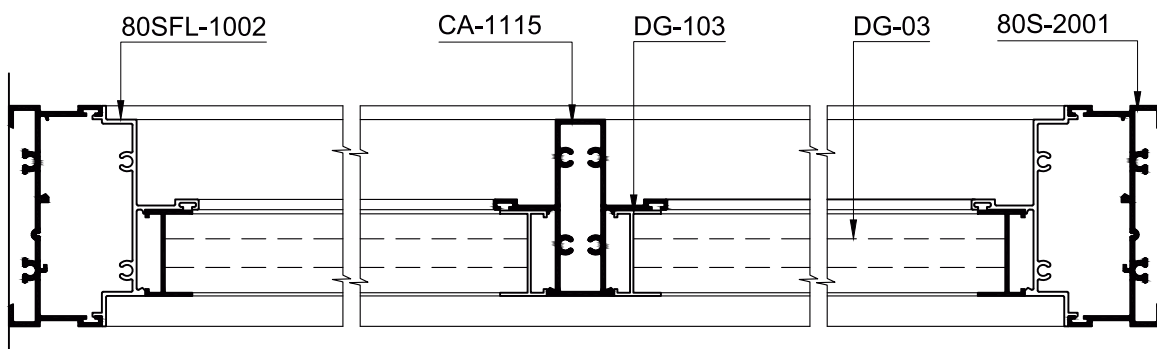
SLIDING FIX WITH
TOP LOUVER



SECTION :- E - E

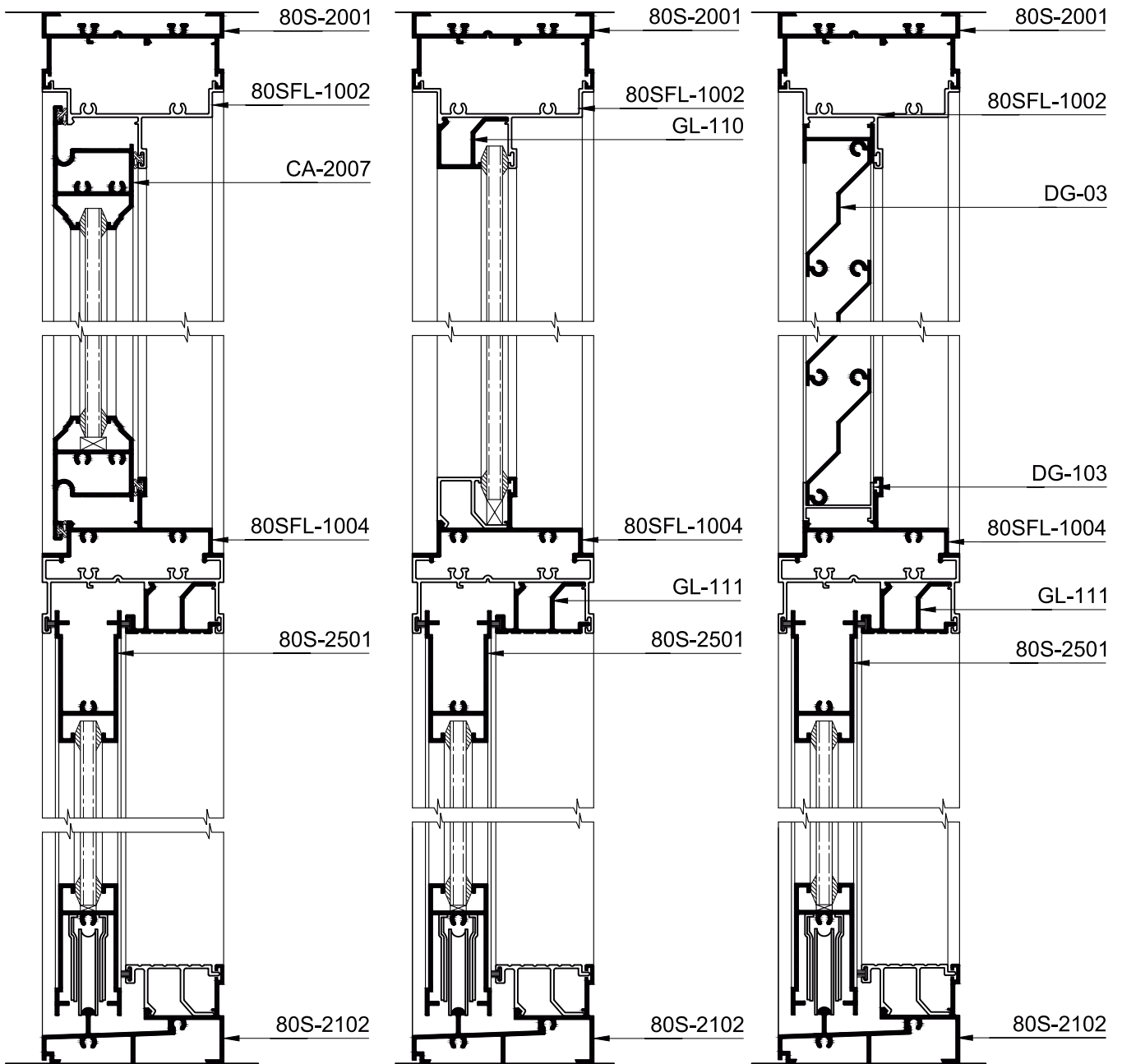


SECTION :- F - F



SECTION :- G - G

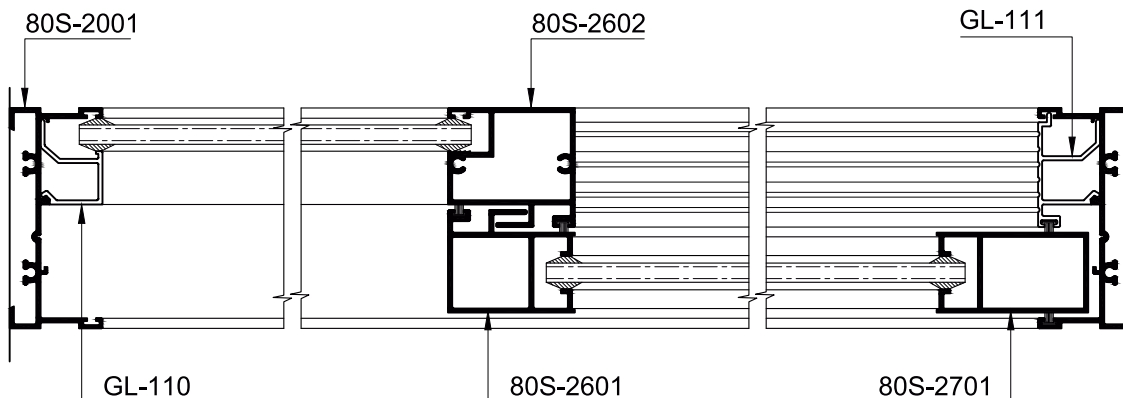
80mm Sliding & Fixed



SECTION :- A - A

SECTION :- B - B

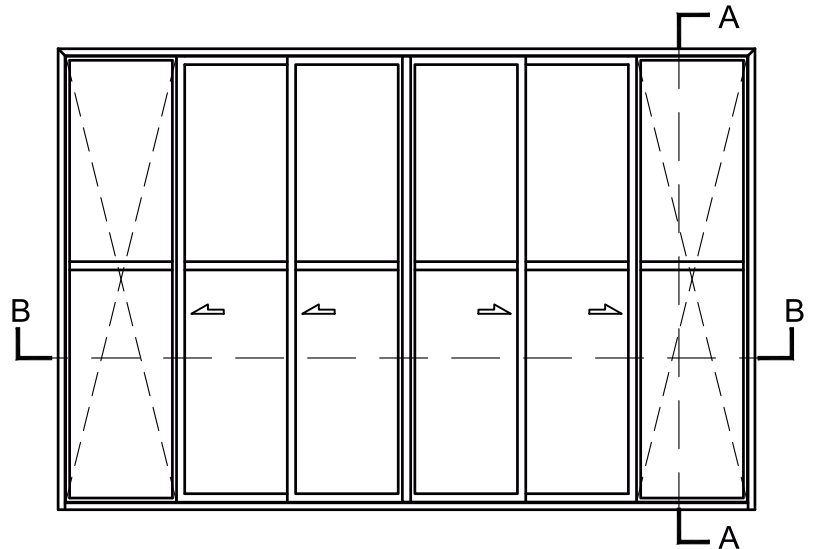
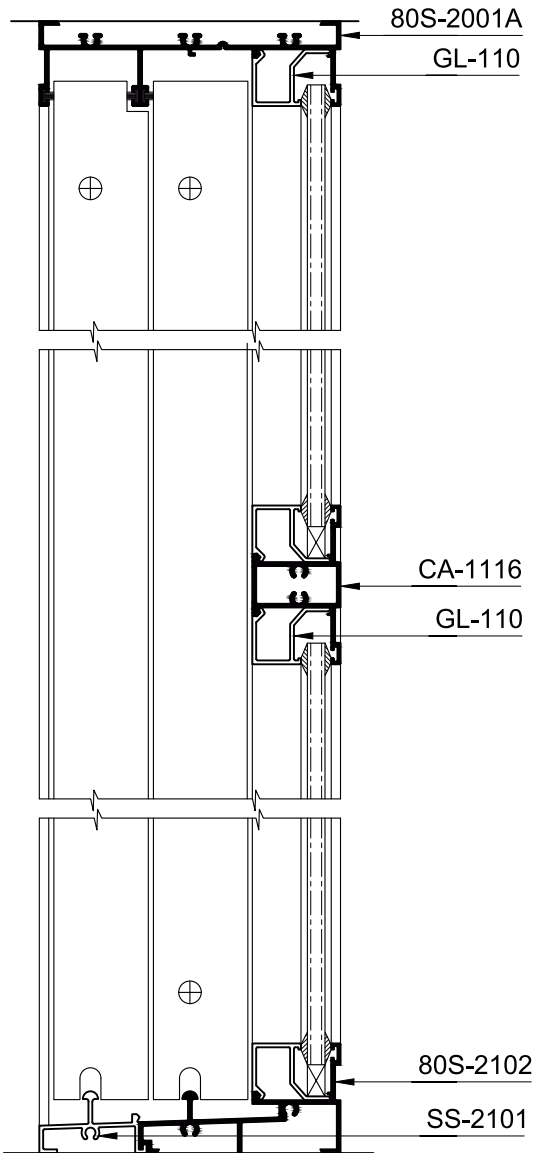
SECTION :- C - C



SECTION :- X - X

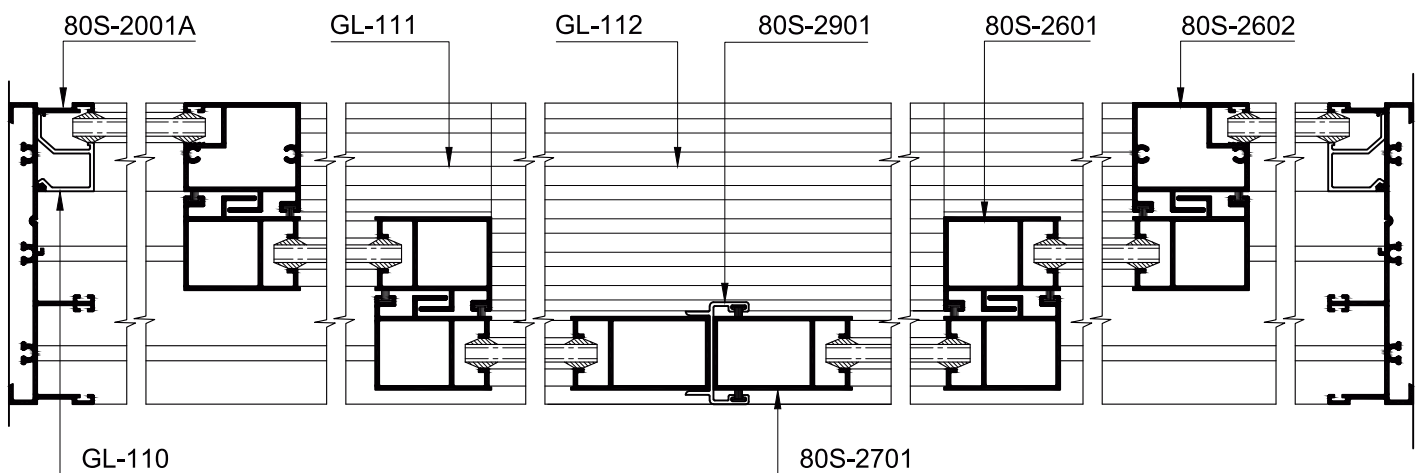
80mm Sliding & Fixed

Group 02
Page 19

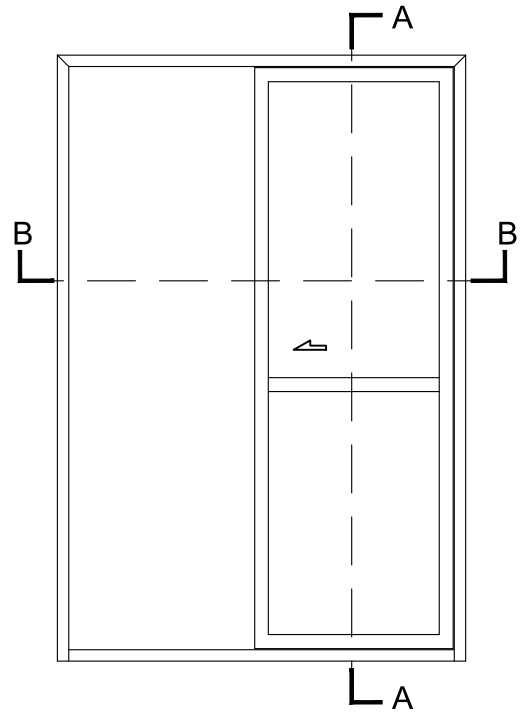
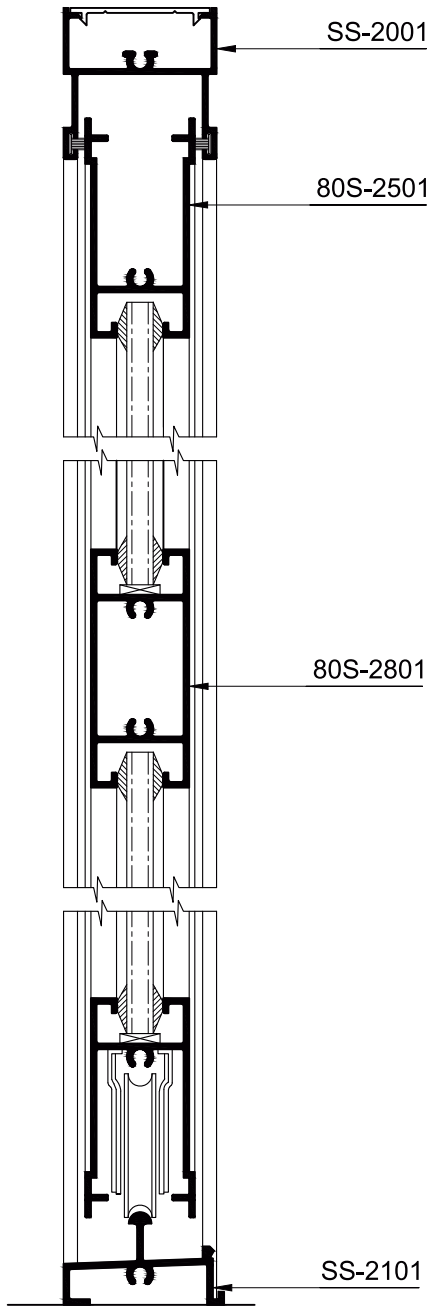


ELEVATION

SECTION :- A - A

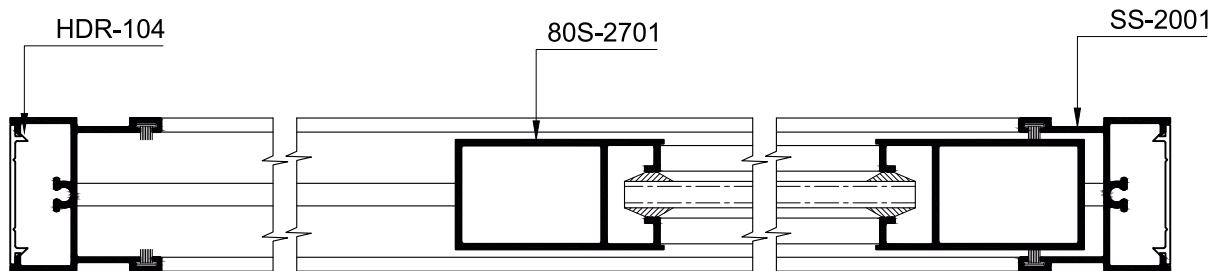


SECTION :- B - B

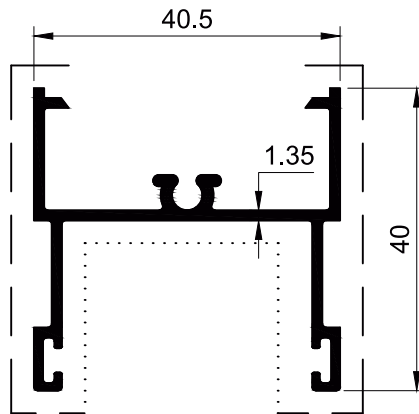


ELEVATION

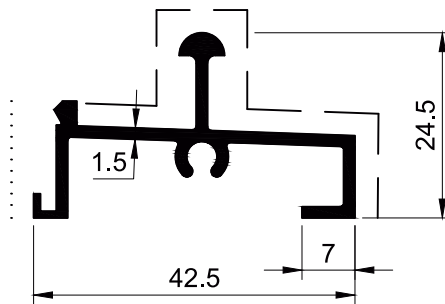
SECTION :- A - A



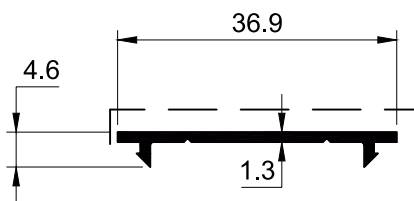
SECTION :- B - B



SECTION NO. - SS-2001
EST. WEIGHT - 0.544 KG./M.



SECTION NO. - SS-2101
EST. WEIGHT - 0.420 KG./M.

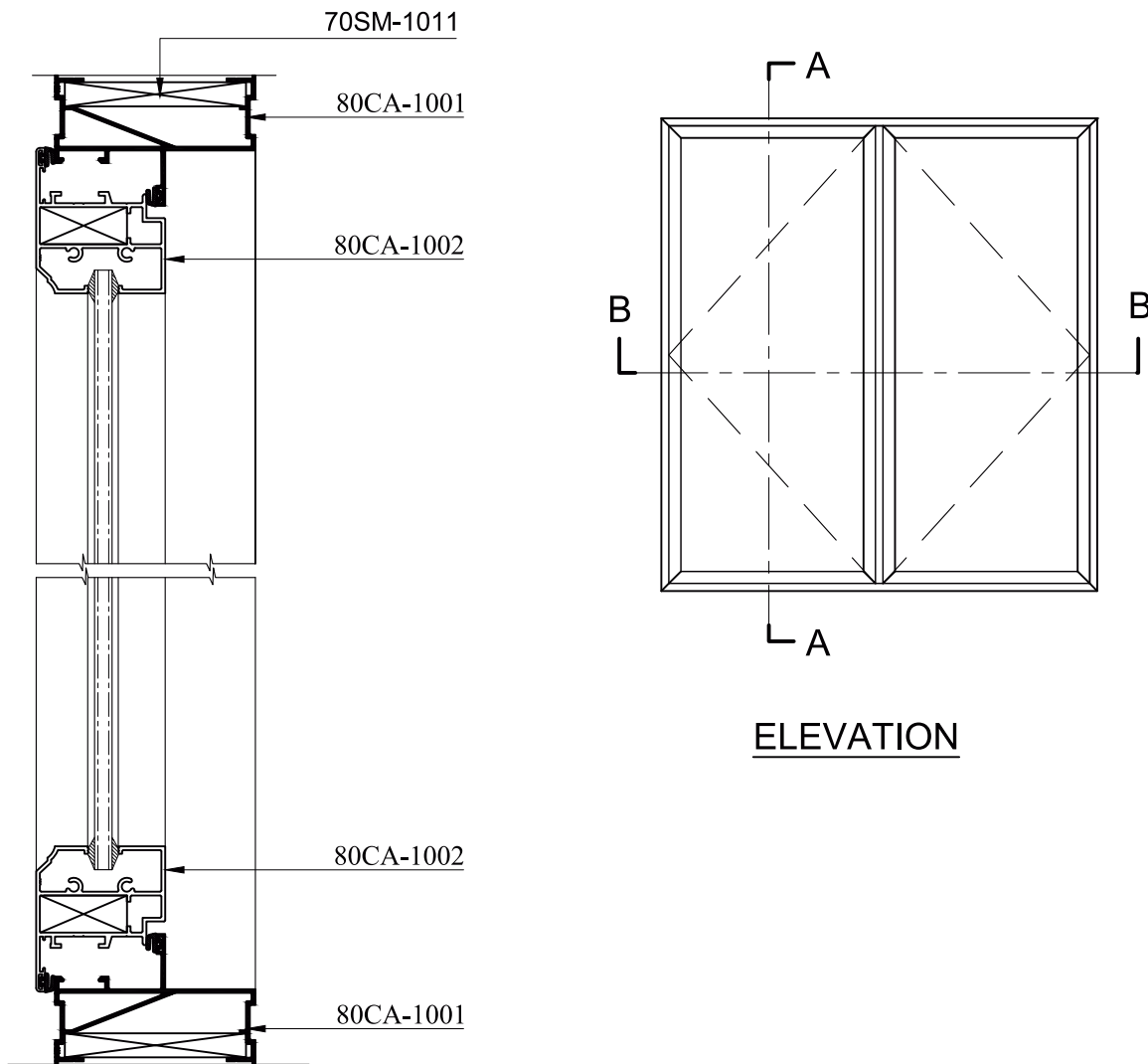


SECTION NO. - HDR-104
EST. WEIGHT - 0.149 KG./M.

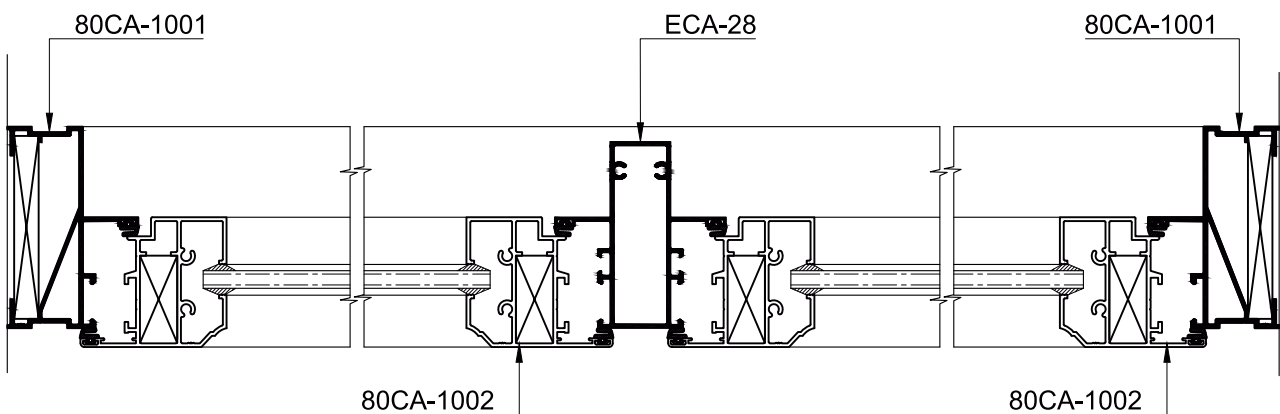
----- : Significant Surface
..... : Insignificant Surface

80mm Swing Window

Group 02
Page 22



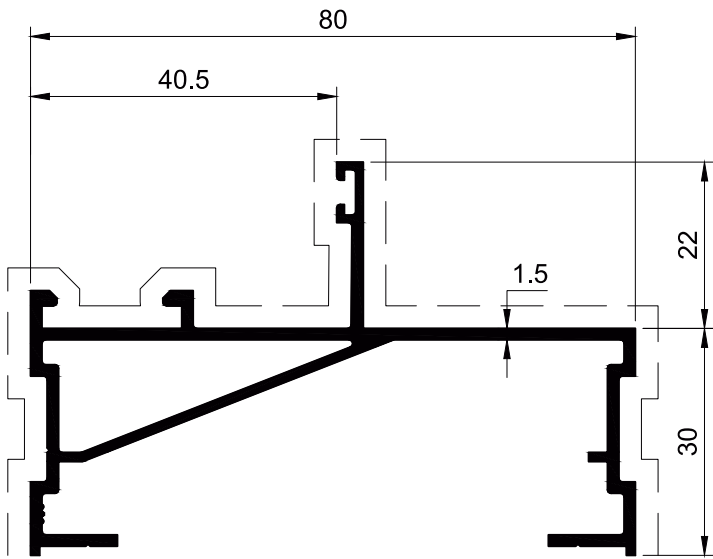
Section :- A-A



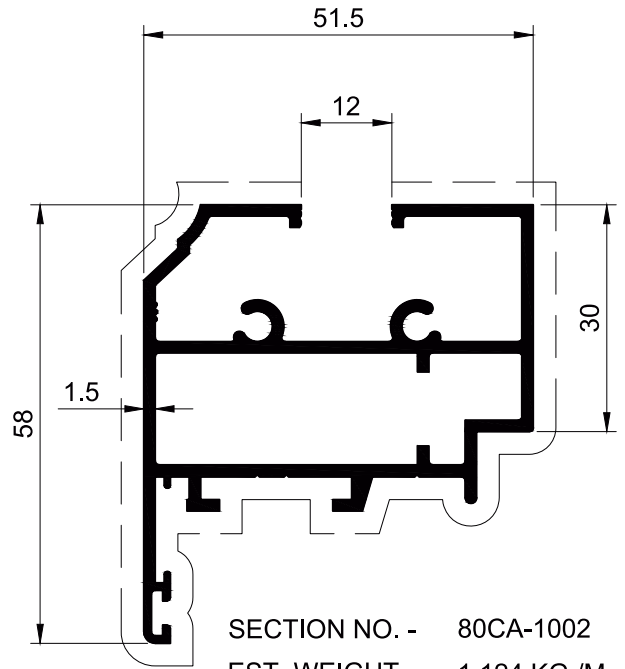
Section :- B-B

80mm Swing Window / Door

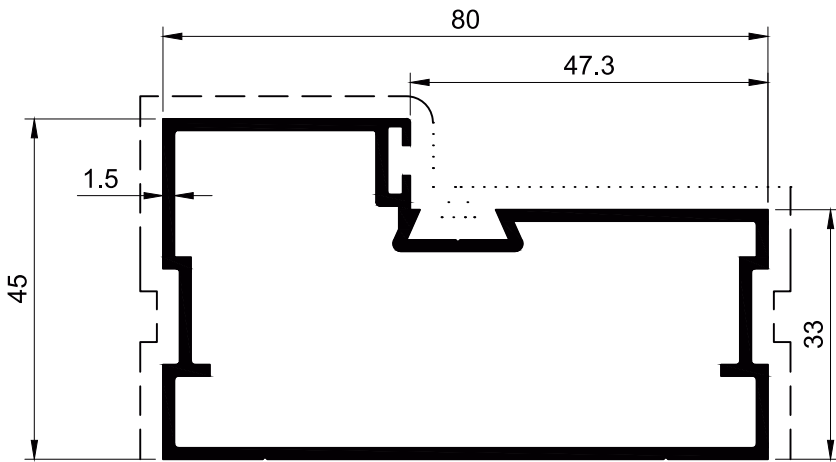
Group 02
Page 23



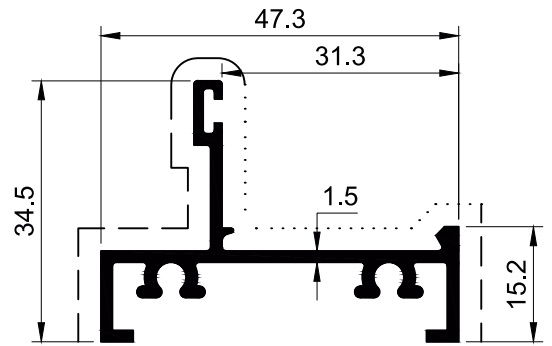
SECTION NO. - 80CA-1001
EST. WEIGHT - 0.993 KG./M.



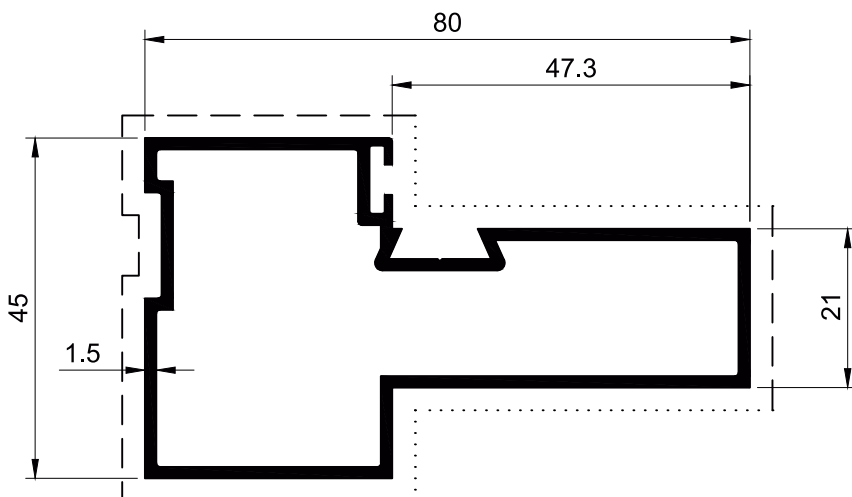
SECTION NO. - 80CA-1002
EST. WEIGHT - 1.124 KG./M.



SECTION NO. - 80D-3101
EST. WEIGHT - 1.115 KG./M.



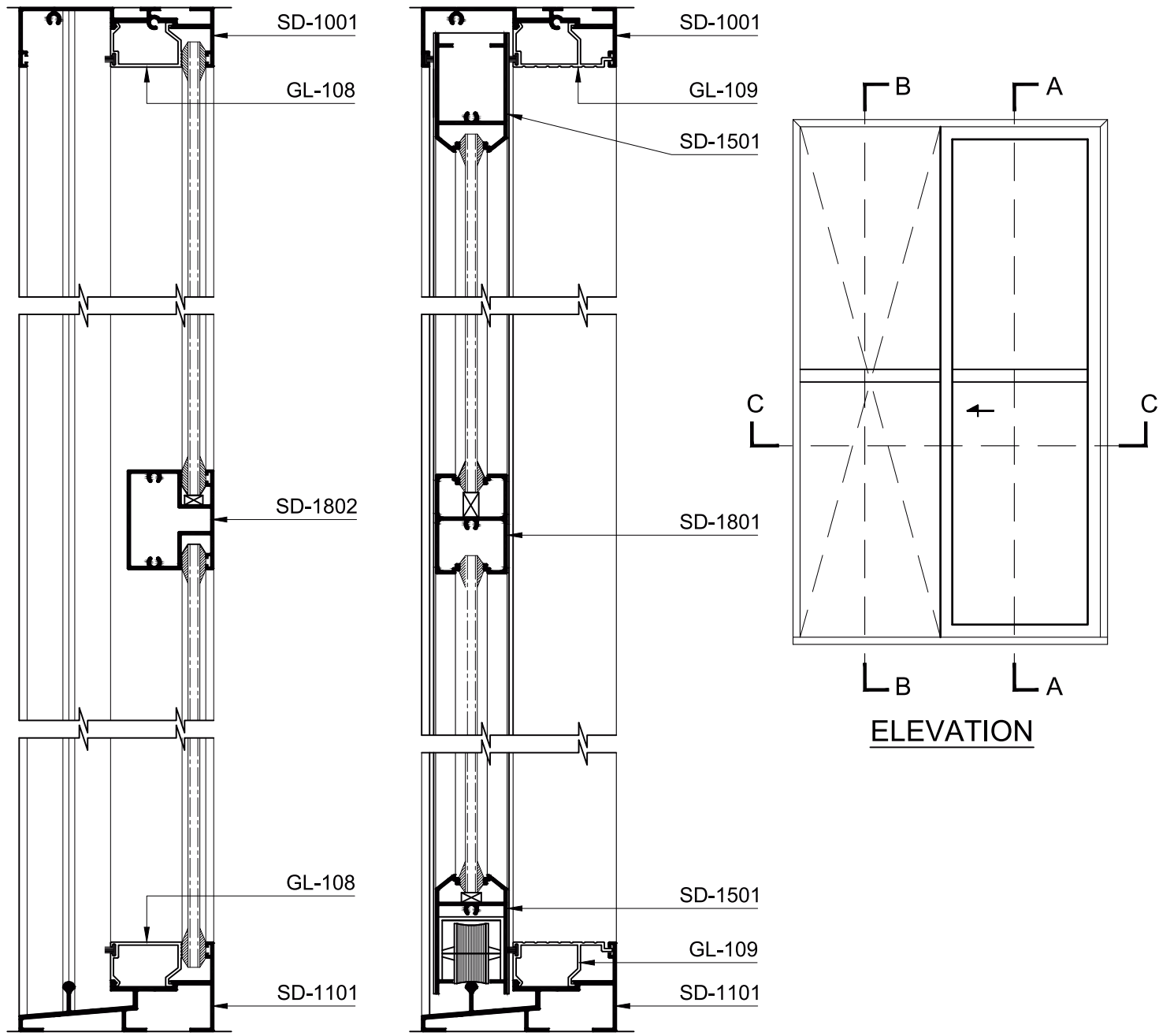
SECTION NO. - CA-1119
EST. WEIGHT - 0.540 KG./M.



SECTION NO. - 80D-3102
EST. WEIGHT - 1.076 KG./M.

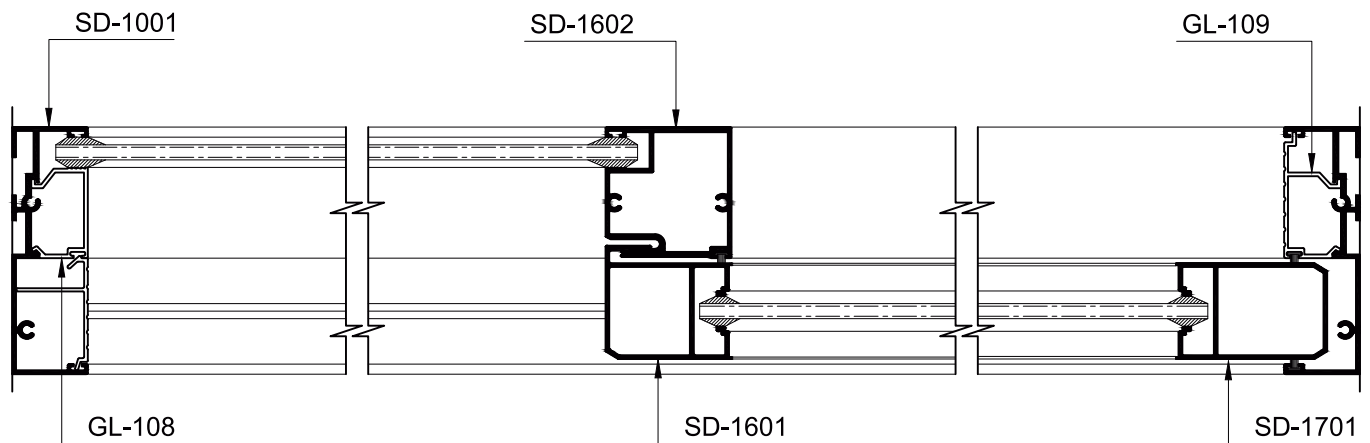
----- : Significant Surface
..... : Insignificant Surface

100mm Sliding Door



SECTION :- B - B

SECTION :- A - A

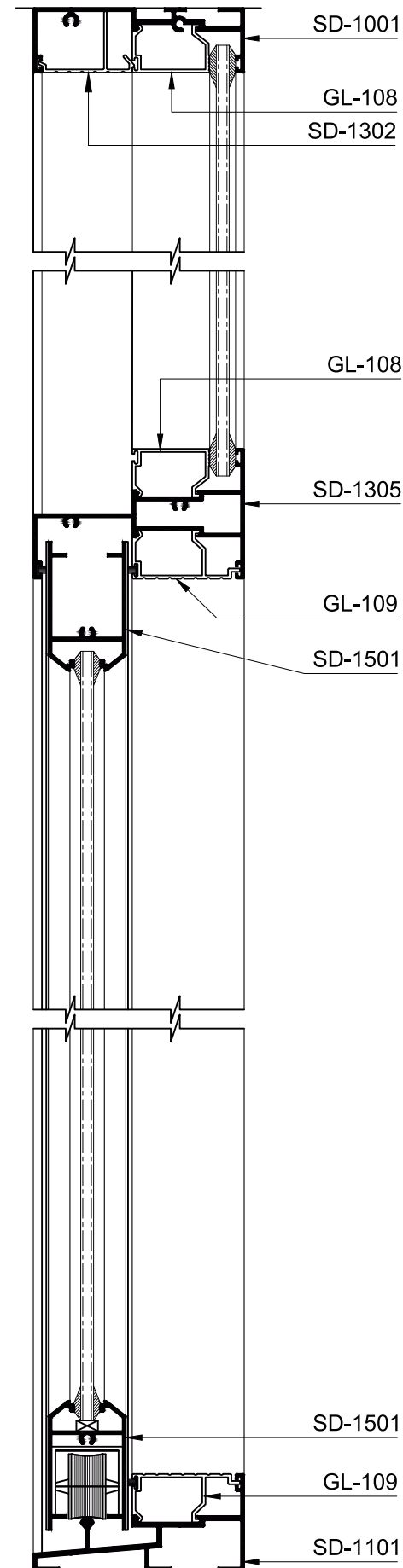


SECTION :- C - C

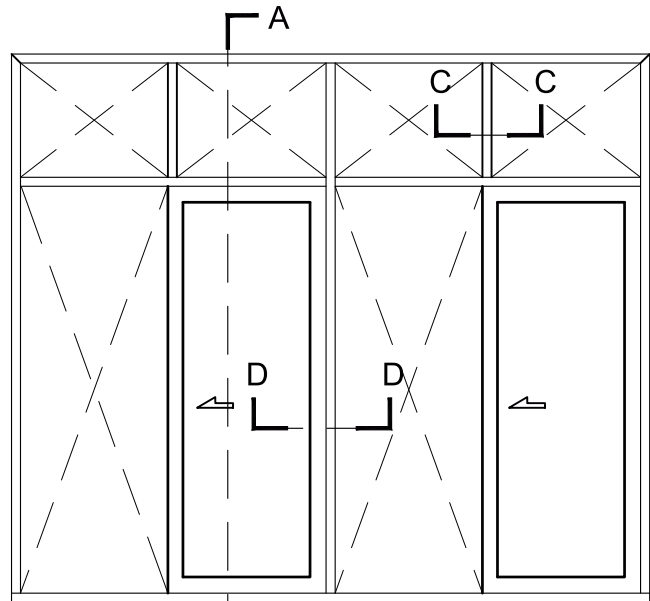
PERFORMANCE TESTS WERE CONDUCTED IN A UKAS ACCREDITED LAB

100mm Sliding Door

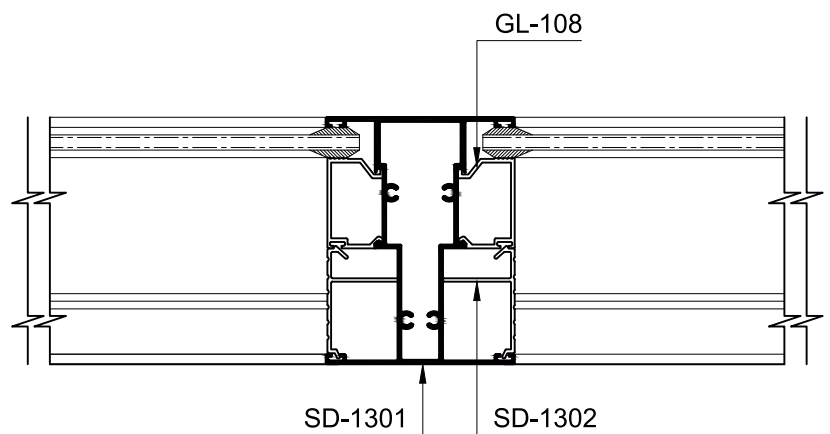
Group 03
Page 02



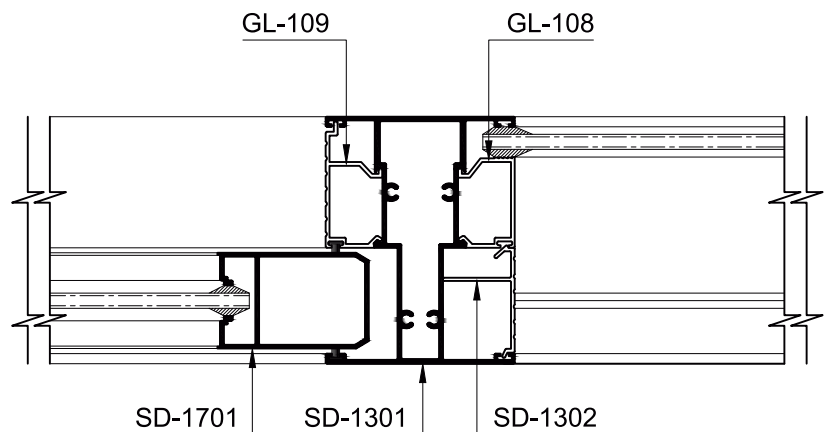
SECTION :- A - A



ELEVATION



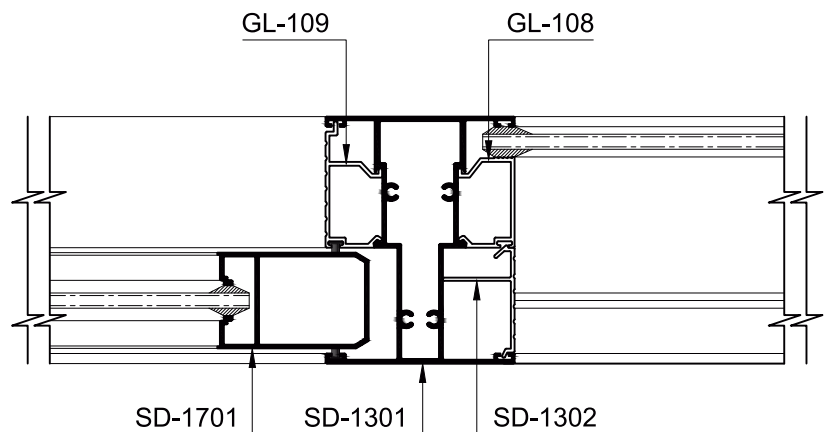
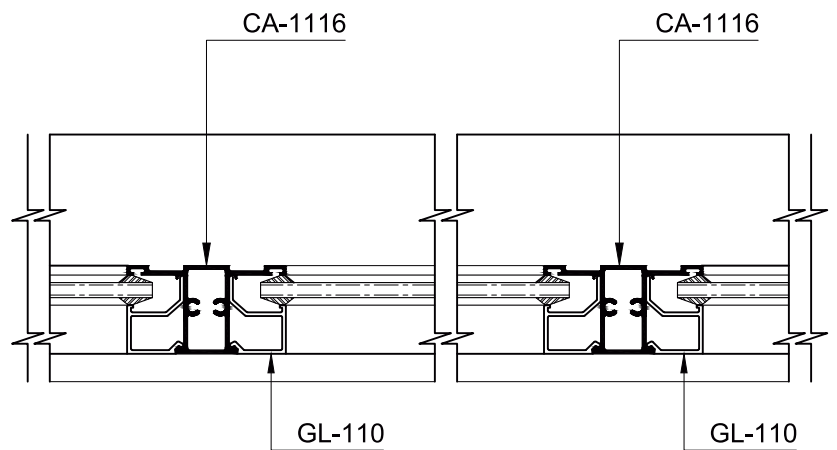
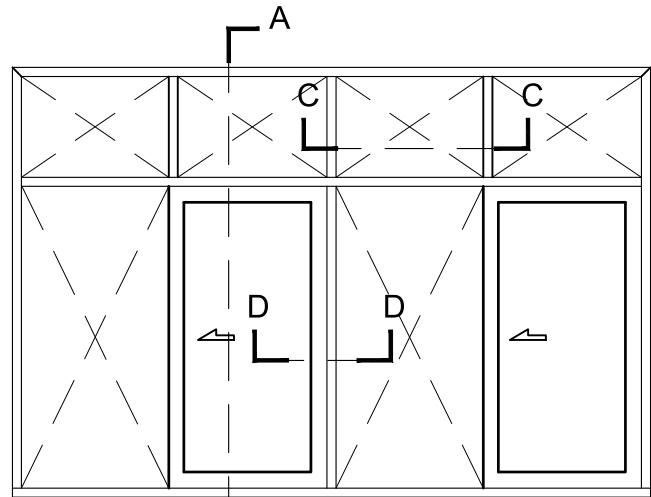
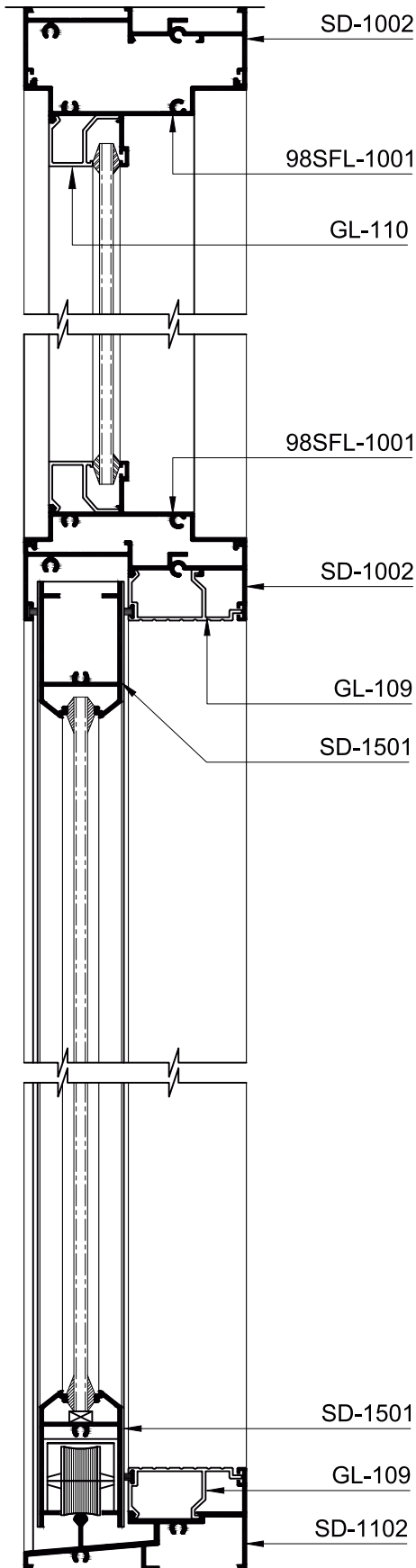
SECTION :- C - C



SECTION :- D - D

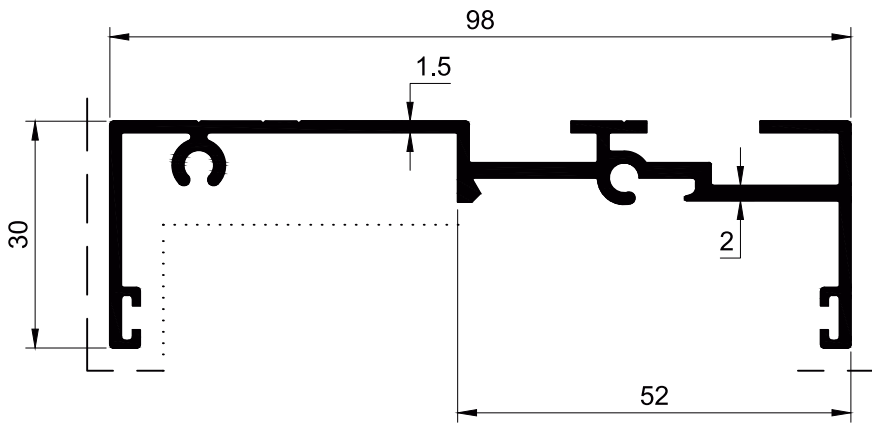
100mm Sliding Window

Group 03
Page 03

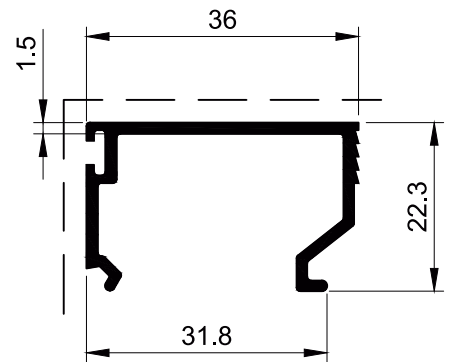


100mm Sliding Door

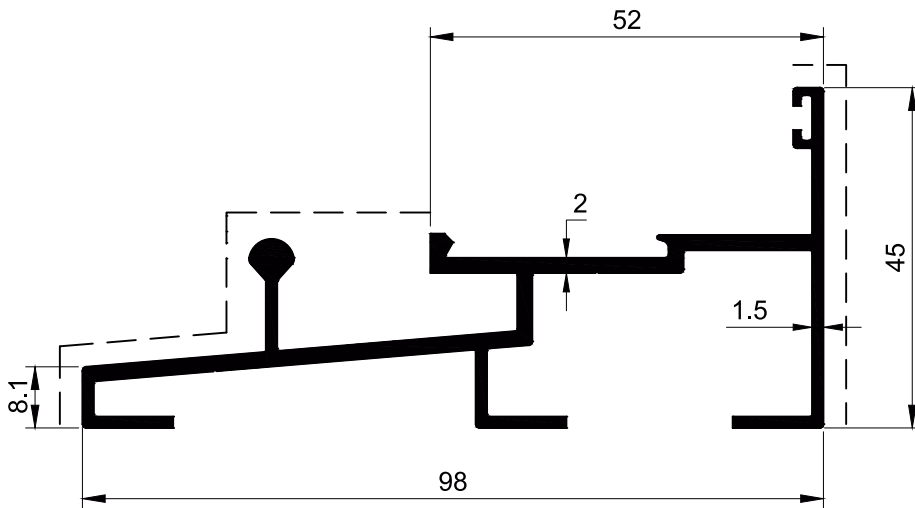
Group 03
Page 04



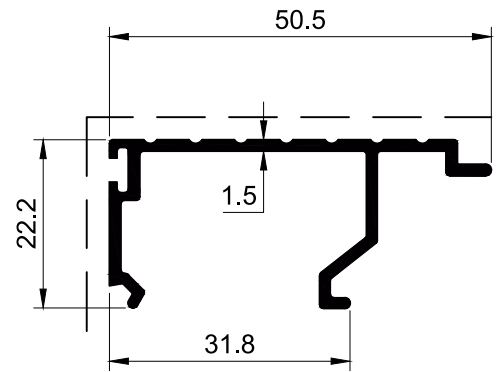
SECTION NO. - SD-1001
EST. WEIGHT - 0.984 KG./M.



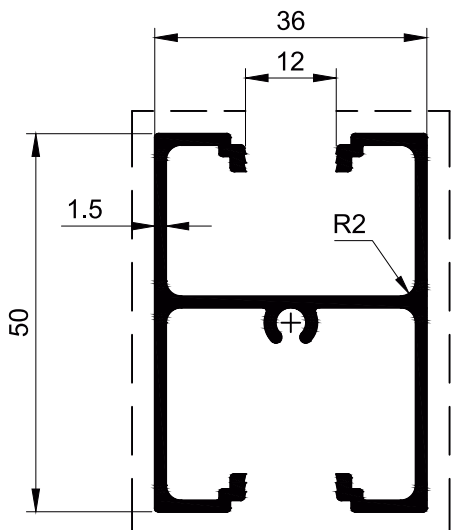
SECTION NO. - GL-108
EST. WEIGHT - 0.353 KG./M.



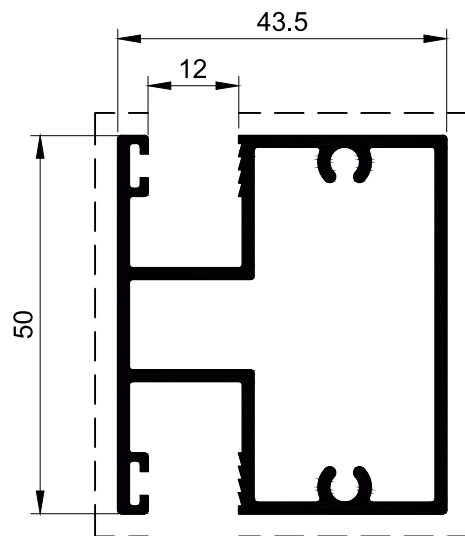
SECTION NO. - SD-1101
EST. WEIGHT - 1.175 KG./M.



SECTION NO. - GL-109
EST. WEIGHT - 0.406 KG./M.



SECTION NO. - SD-1801
EST. WEIGHT - 0.830 KG./M.

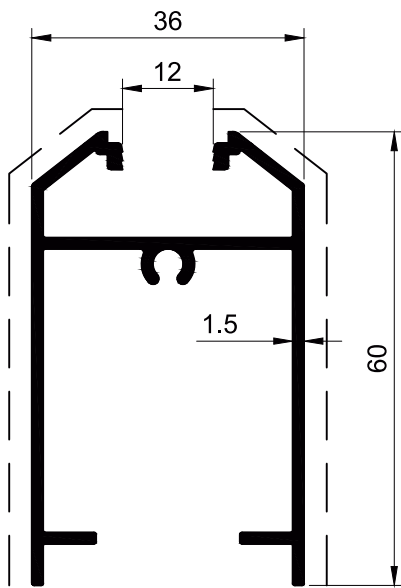


SECTION NO. - SD-1802
EST. WEIGHT - 1.013 KG./M.

----- : Significant Surface
..... : Insignificant Surface

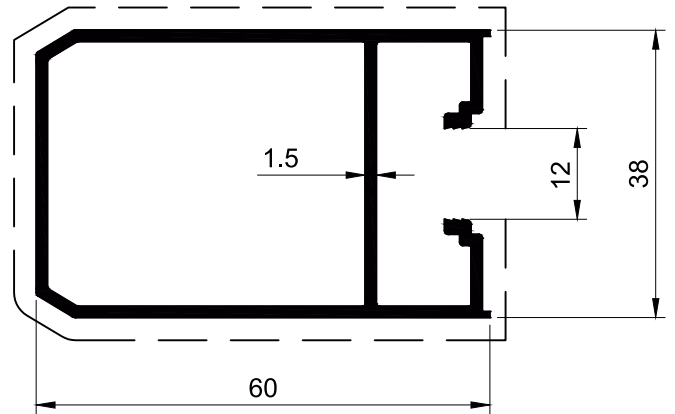
100mm Sliding Door

Group 03
Page 05



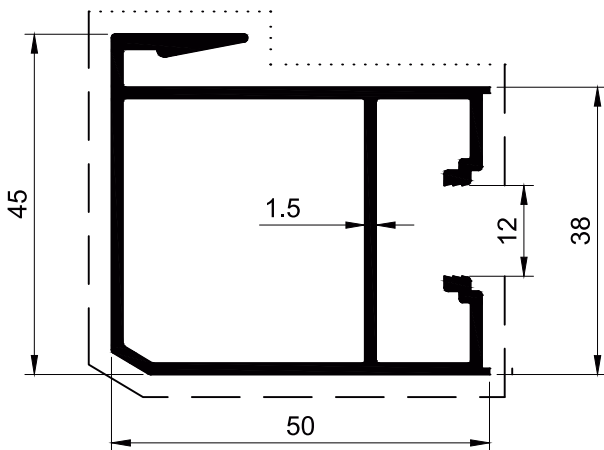
SECTION NO. - SD-1501

EST. WEIGHT - 0.796 KG./M.



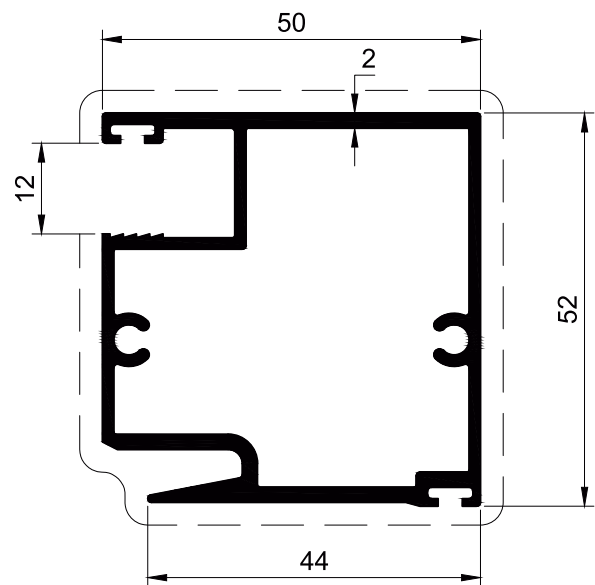
SECTION NO. - SD-1701

EST. WEIGHT - 0.875 KG./M.



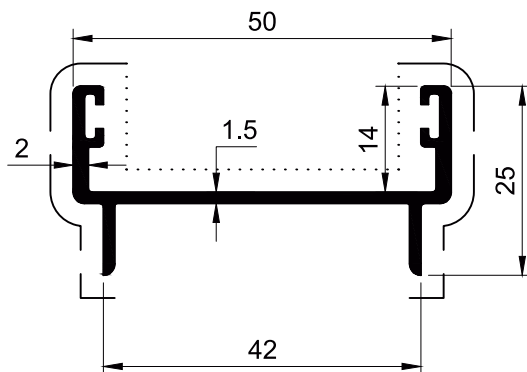
SECTION NO. - SD-1601

EST. WEIGHT - 0.920 KG./M.



SECTION NO. - SD-1602

EST. WEIGHT - 1.184 KG./M.



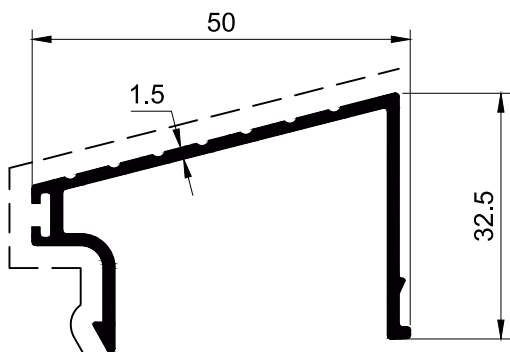
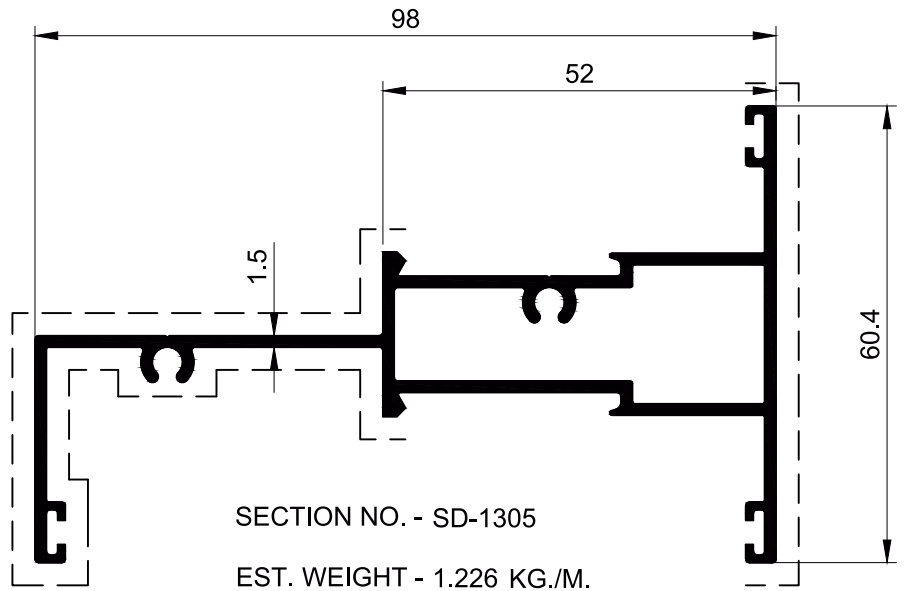
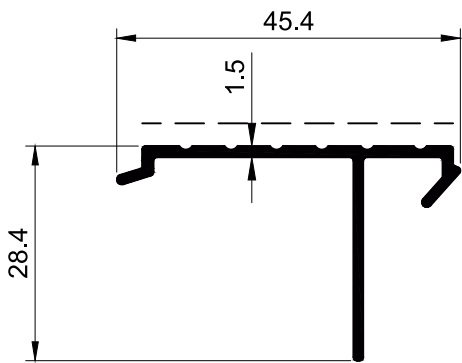
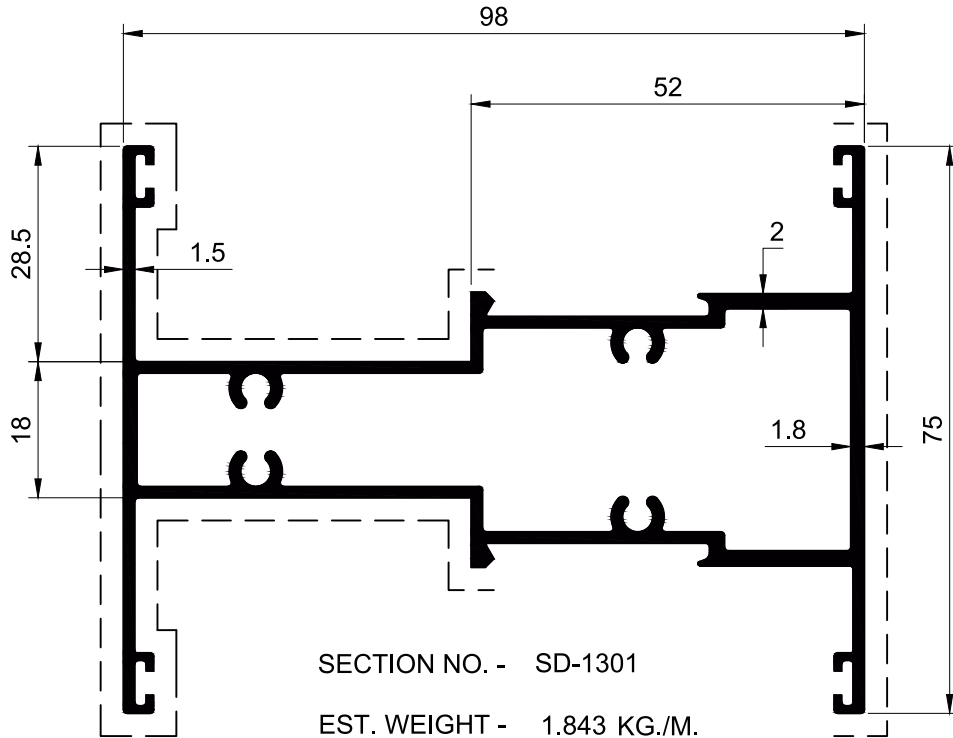
SECTION NO. - SD-1901

EST. WEIGHT - 0.447 KG./M.

----- : Significant Surface
..... : Insignificant Surface

100mm Sliding Door

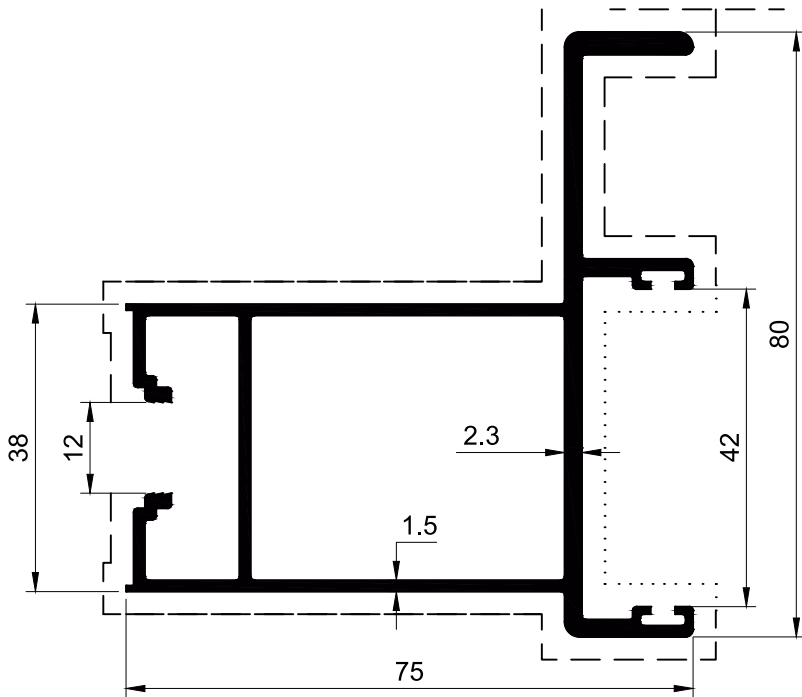
Group 03
Page 06



----- : Significant Surface
..... : Insignificant Surface

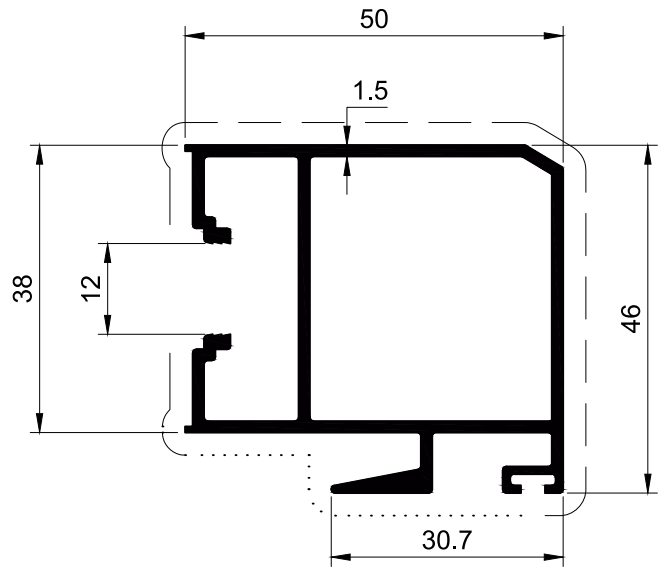
100mm Sliding Door

Group 03
Page 07



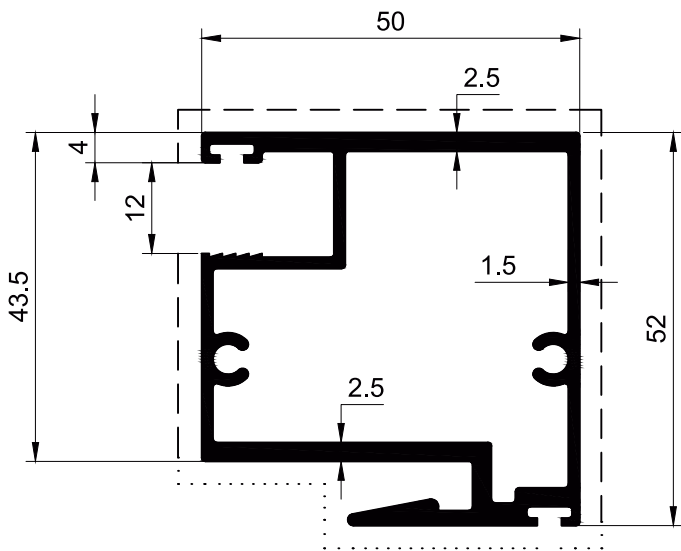
SECTION NO. - SD-1702

EST. WEIGHT - 1.532 KG./M.



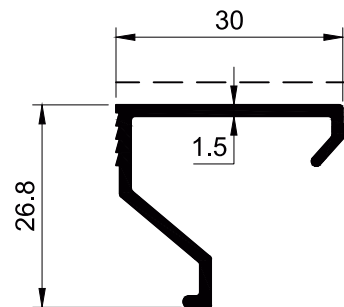
SECTION NO. - SD-1601A

EST. WEIGHT - 0.961 KG./M.



SECTION NO. - SD-1602A

EST. WEIGHT - 1.363 KG./M.



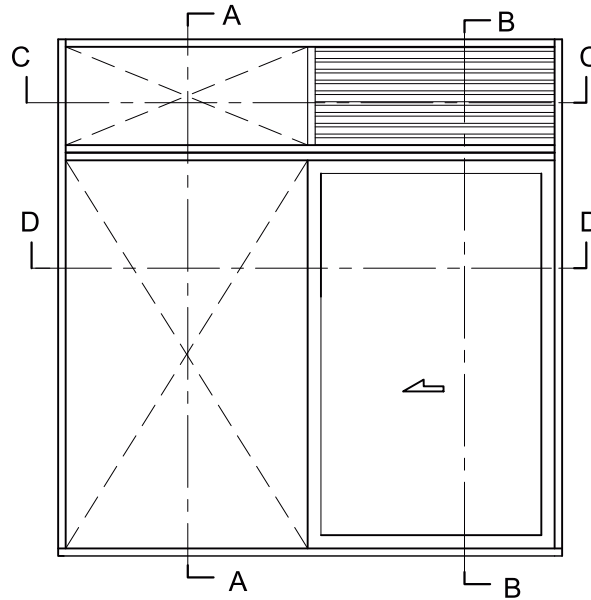
SECTION NO. - SD-1304

EST. WEIGHT - 0.288 KG./M.

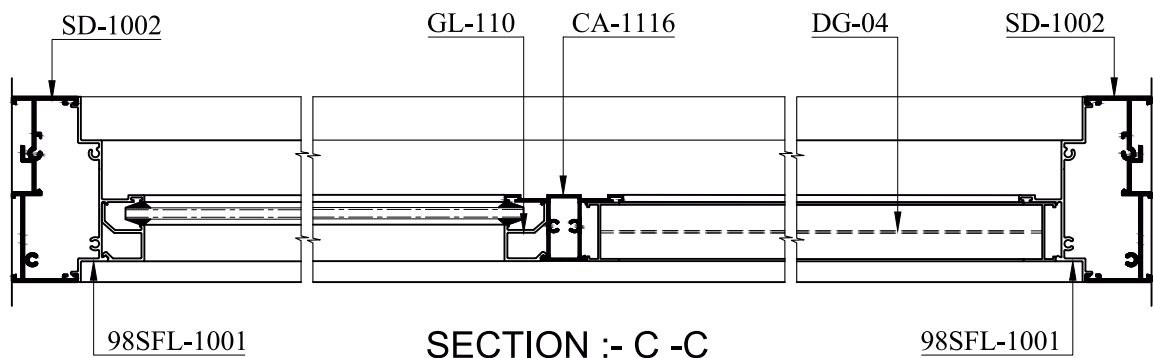
----- : Significant Surface
..... : Insignificant Surface

100mm Sliding Door

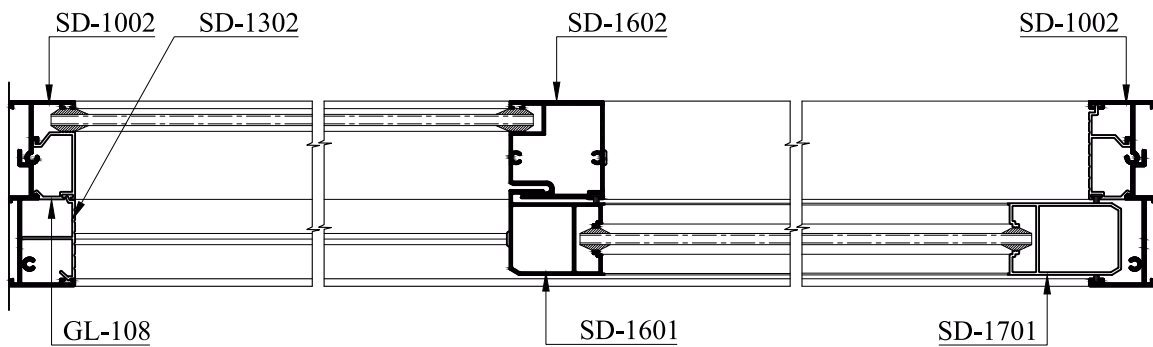
Group 03
Page 08



ELEVATION



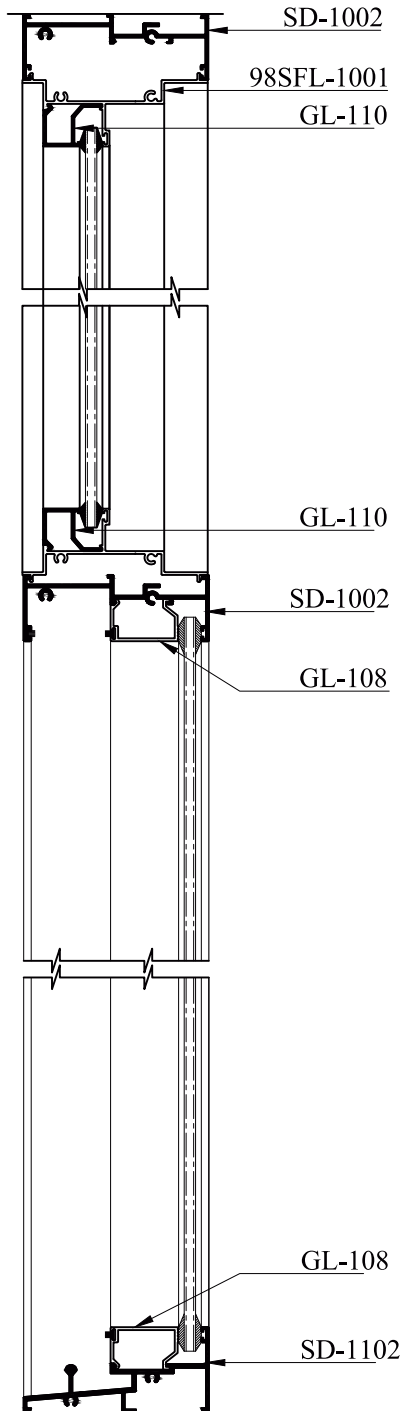
SECTION :- C -C



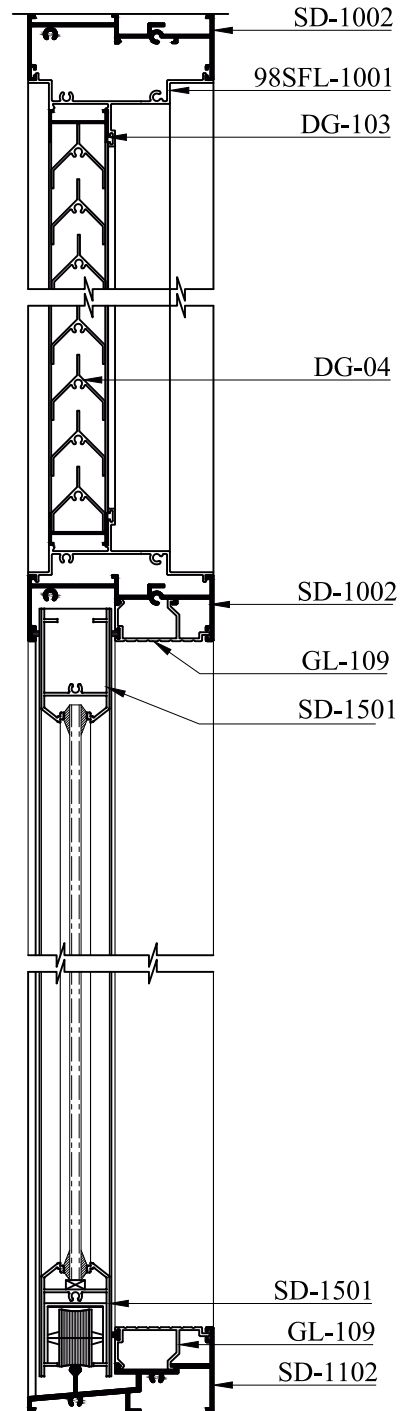
SECTION :- D -D

100mm Sliding Door

Group 03
Page 09



SECTION :- A -A

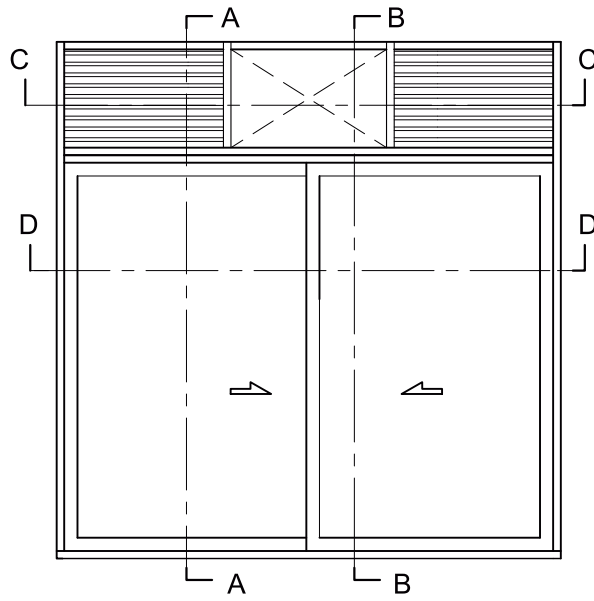


SECTION :- B -B

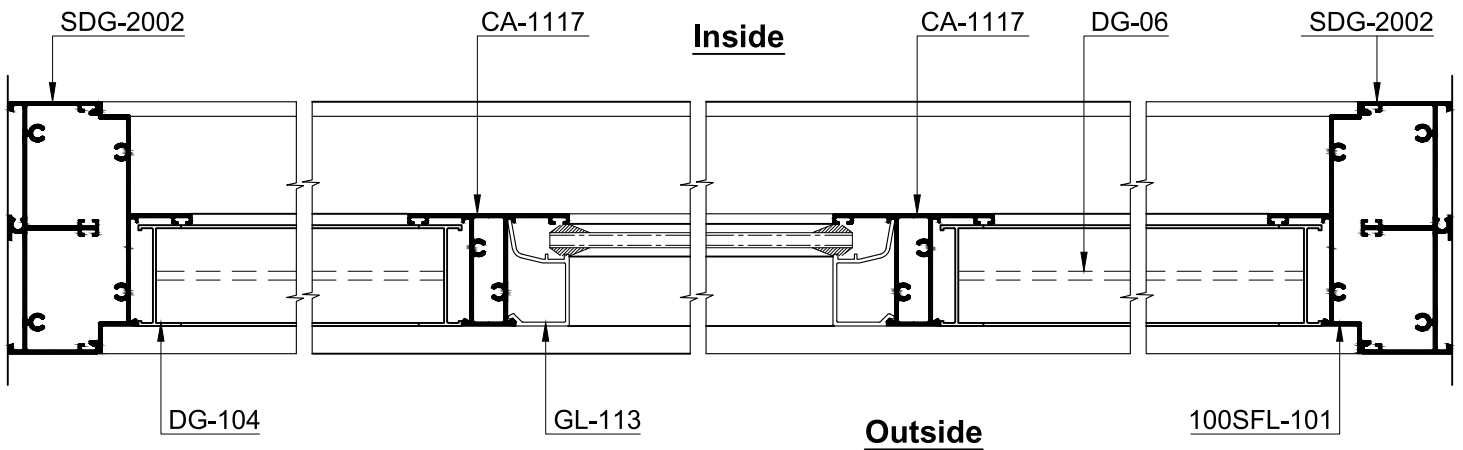
----- : Significant Surface
..... : Insignificant Surface

100mm Sliding Door

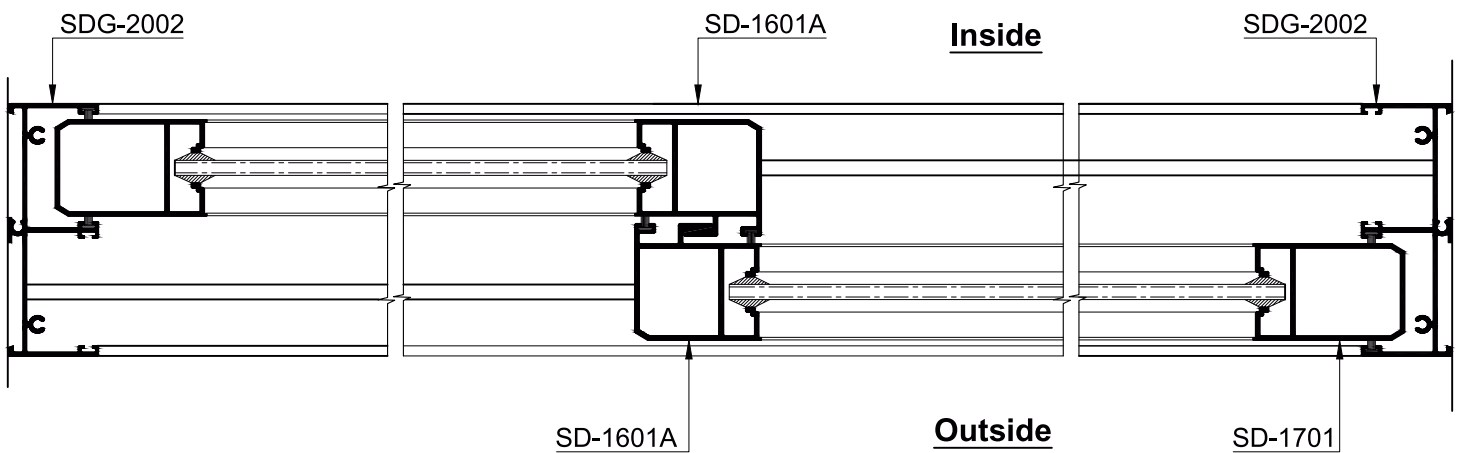
Group 03
Page 10



ELEVATION



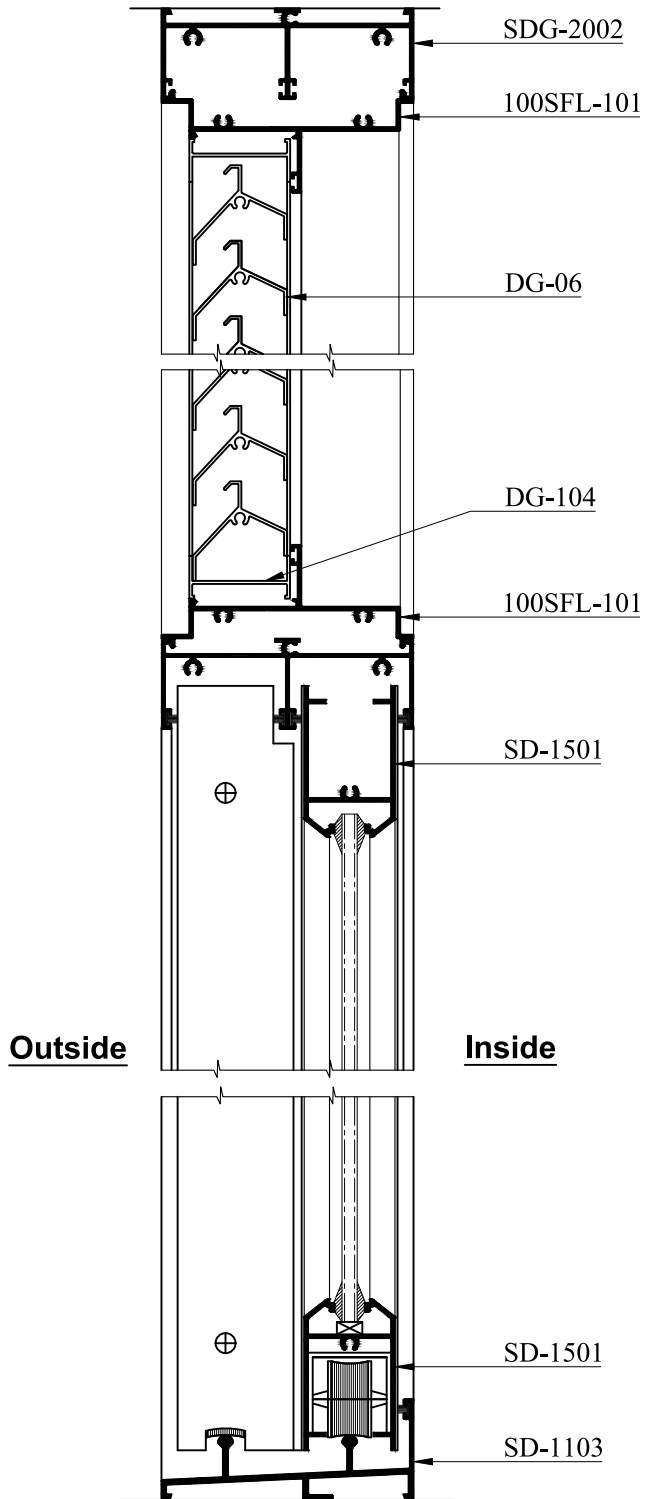
SECTION :- C - C



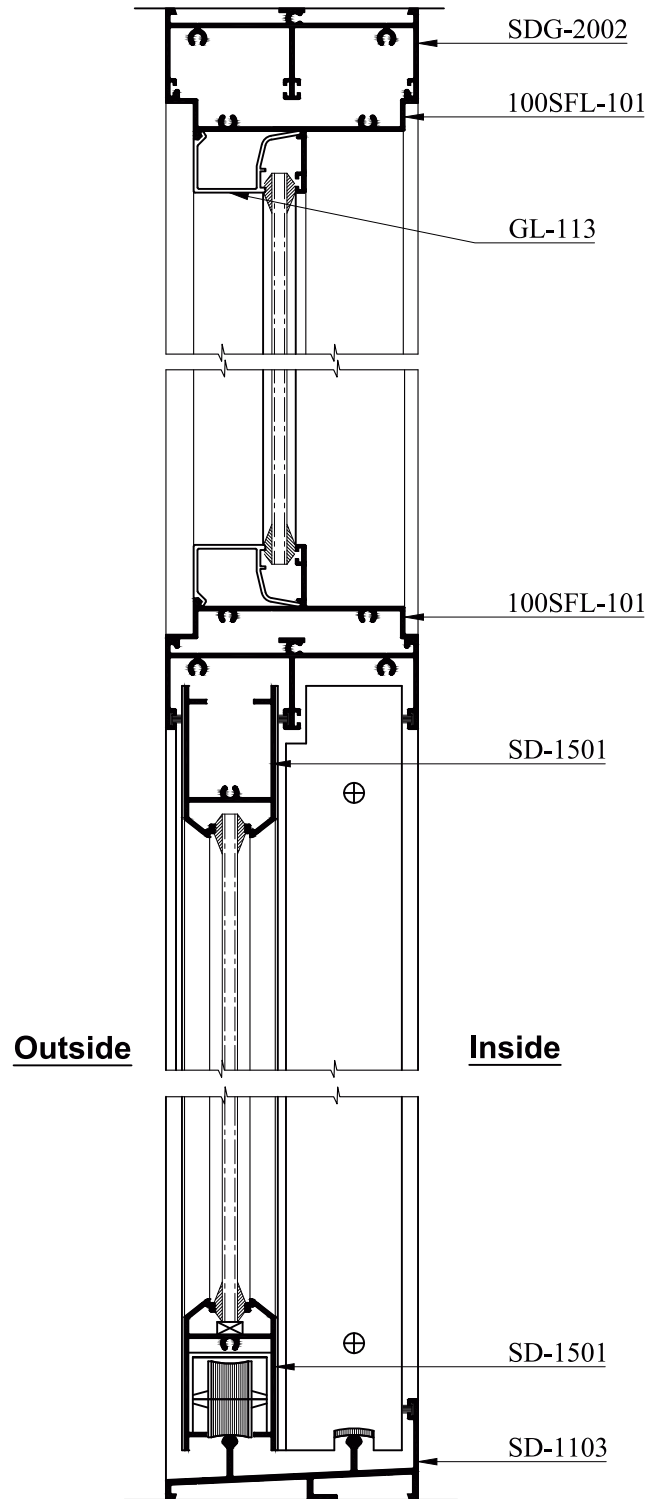
SECTION :- D - D

100mm Sliding Door

Group 03
Page 11



SECTION :- A - A

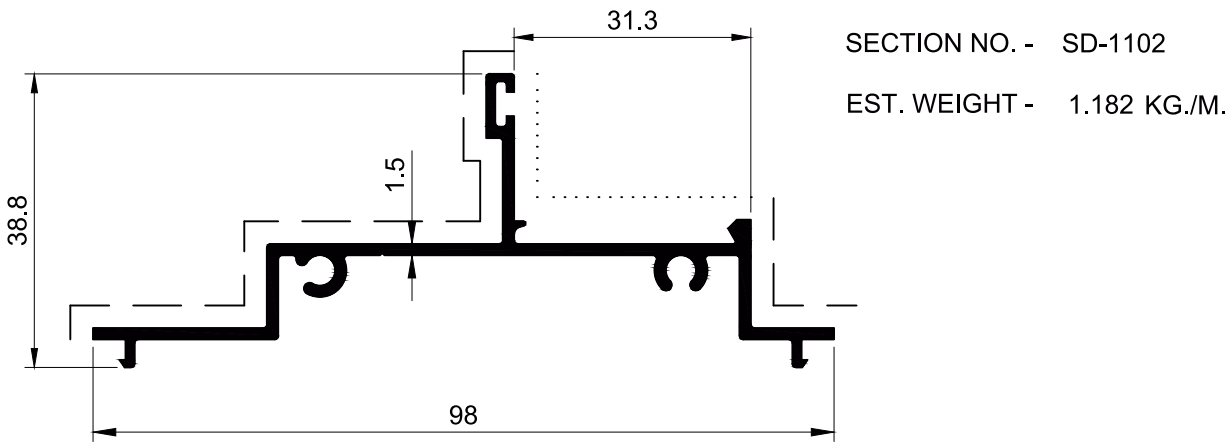
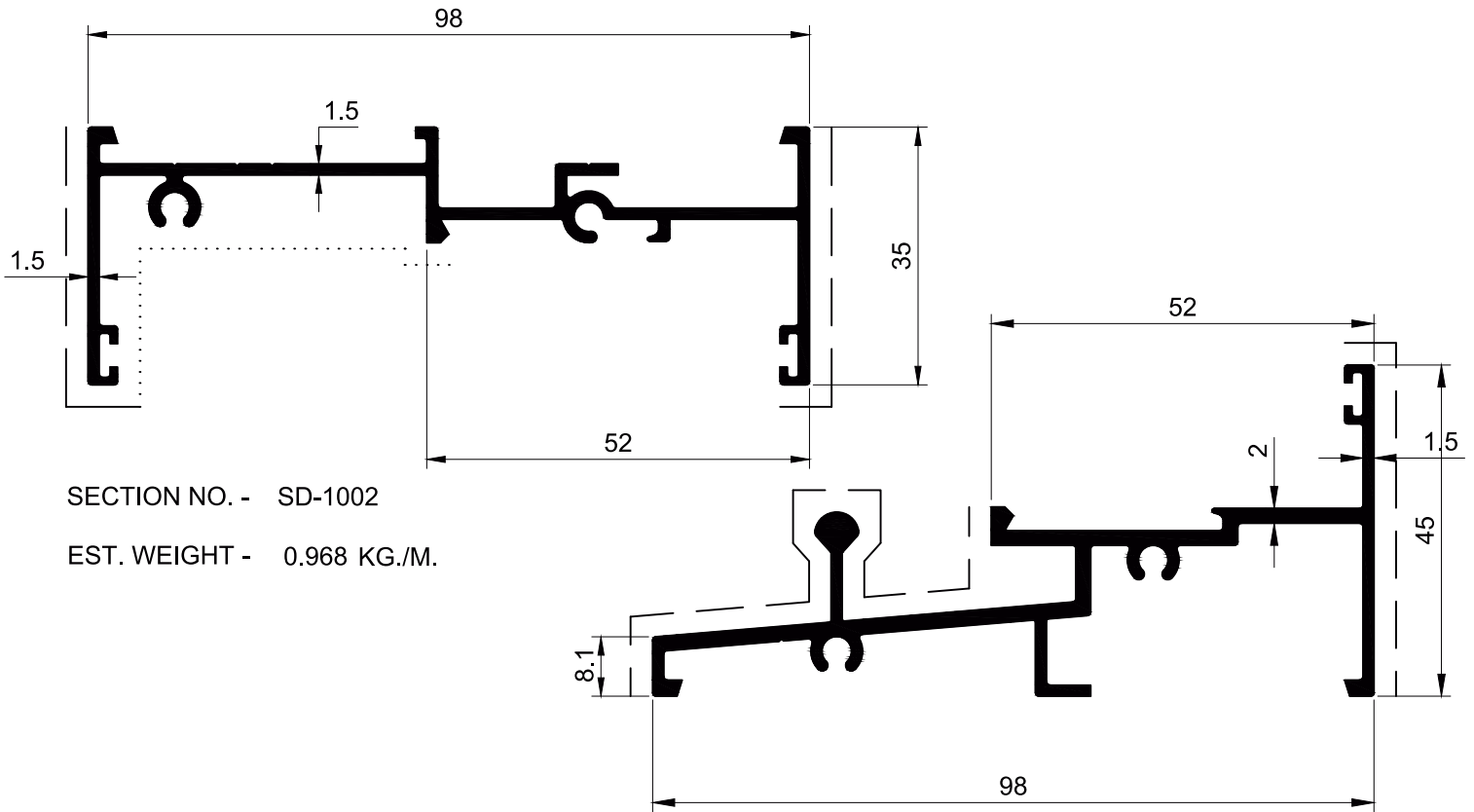


SECTION :- B - B

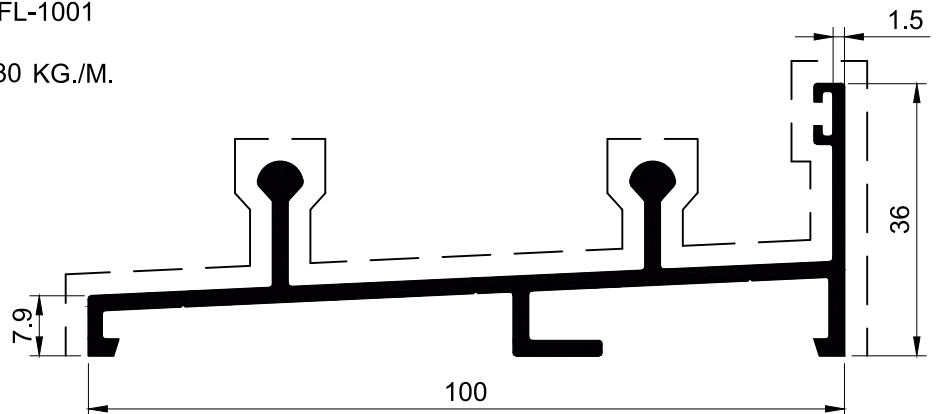
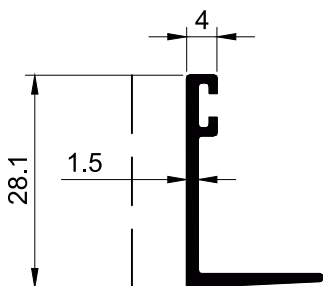
----- : Significant Surface
 : Insignificant Surface

100mm Sliding Door

Group 03
Page 12

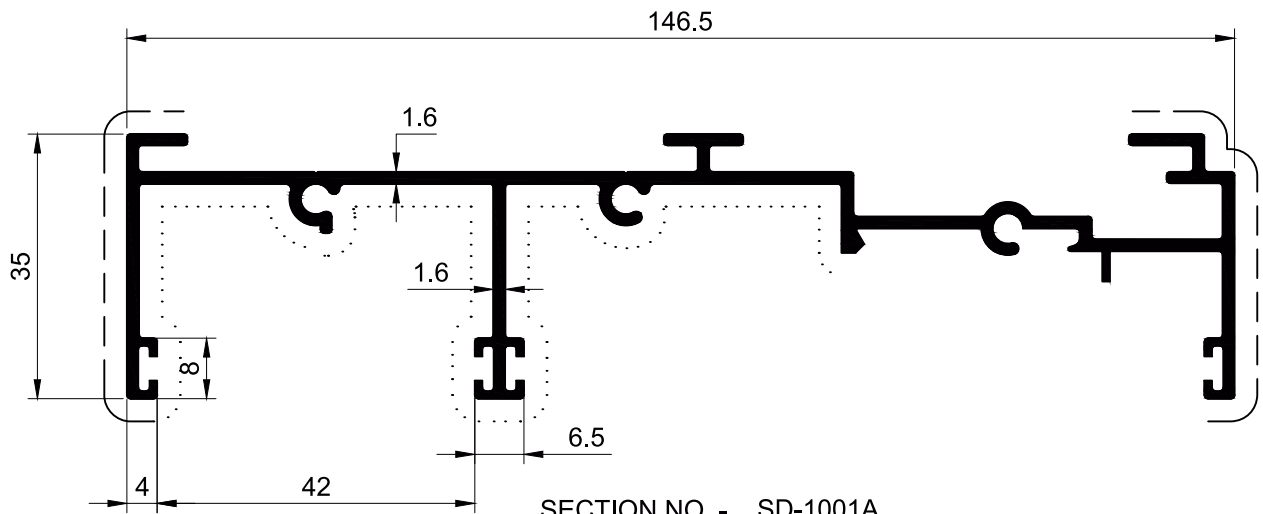


SECTION NO. - 98SFL-1001
EST. WEIGHT - 0.730 KG./M.

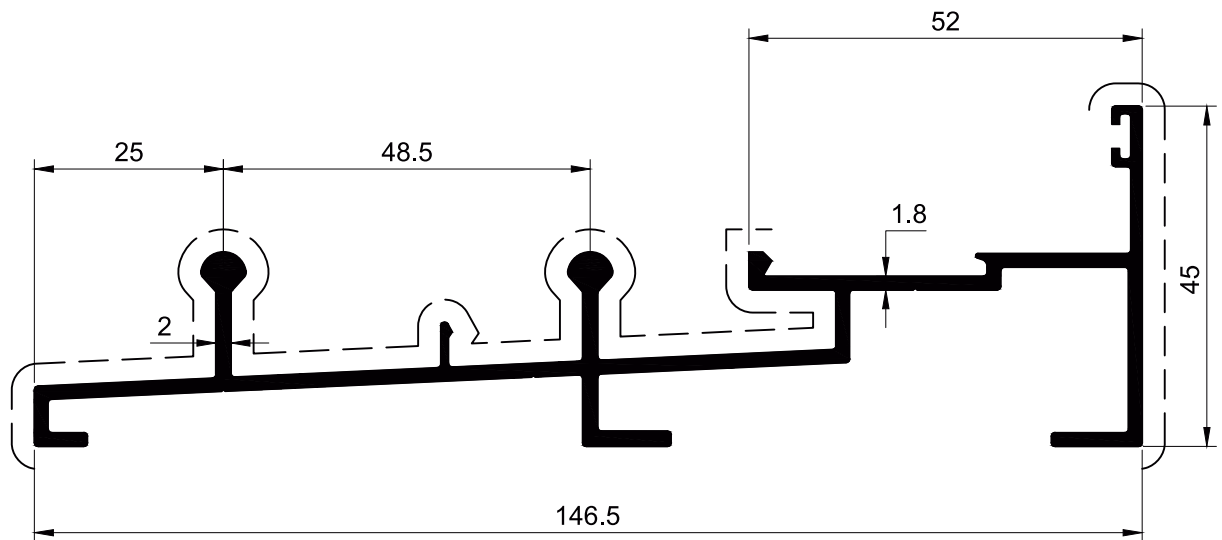


----- : Significant Surface
..... : Insignificant Surface

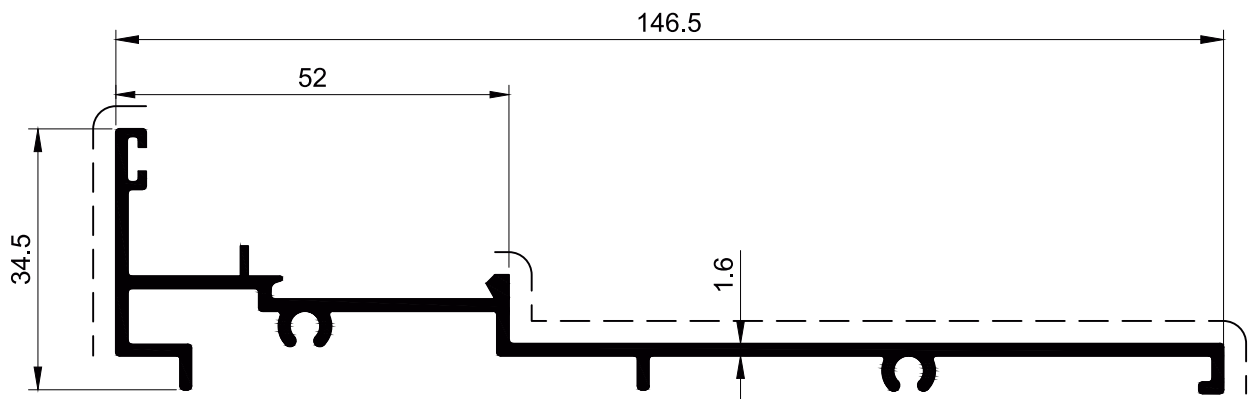
Sliding Door (3 Track)



SECTION NO. - SD-1001A
EST. WEIGHT - 1.459 KG./M.



SECTION NO. - SD-1101A
EST. WEIGHT - 1.533 KG./M.

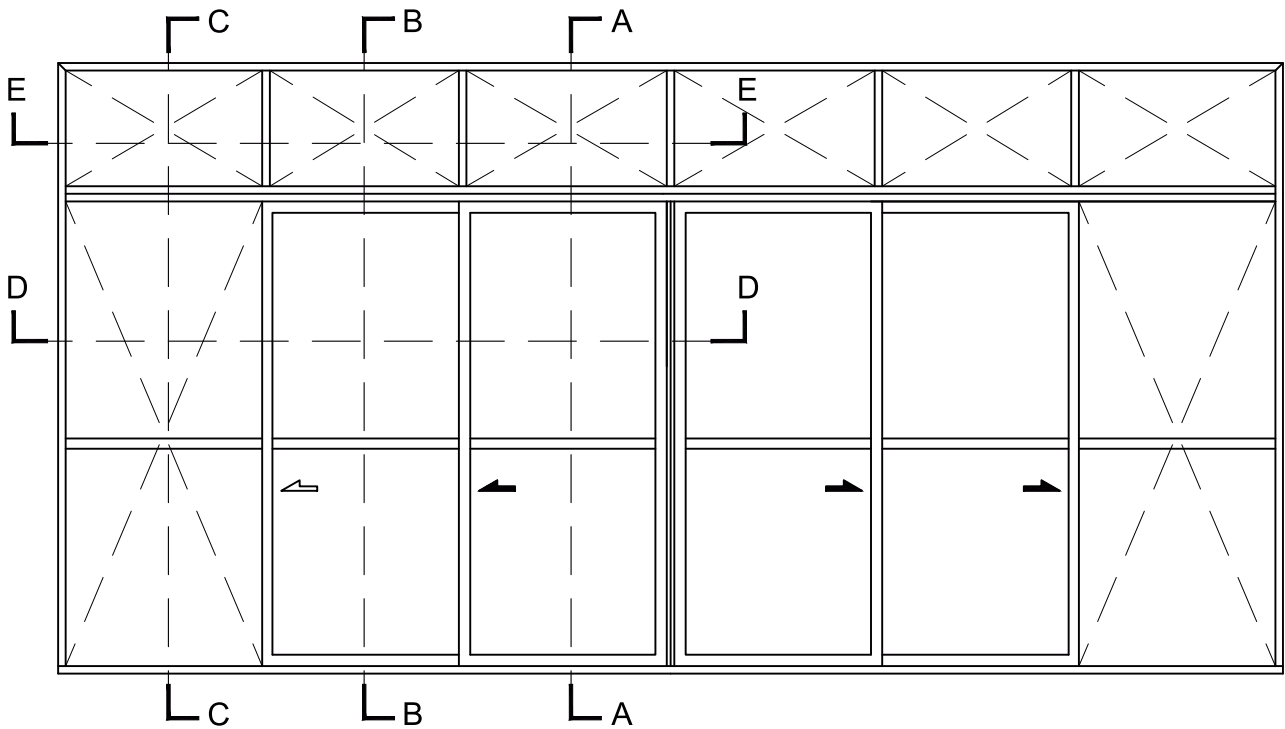


SECTION NO. - SD-1306
EST. WEIGHT - 1.029 KG./M.

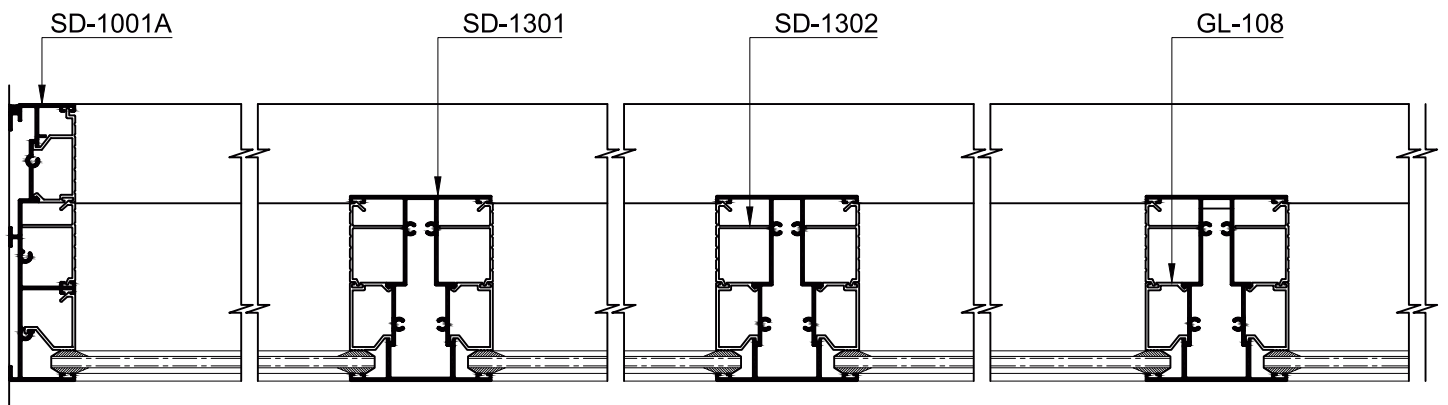
----- : Significant Surface
..... : Insignificant Surface

Sliding Door (3 Track)

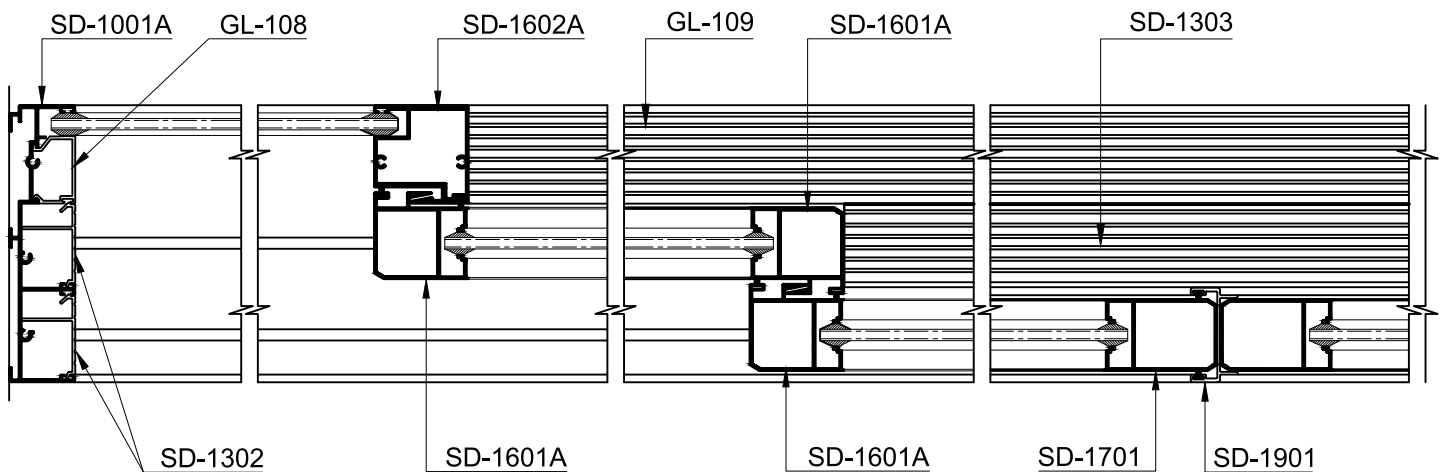
Group 03
Page 14



ELEVATION



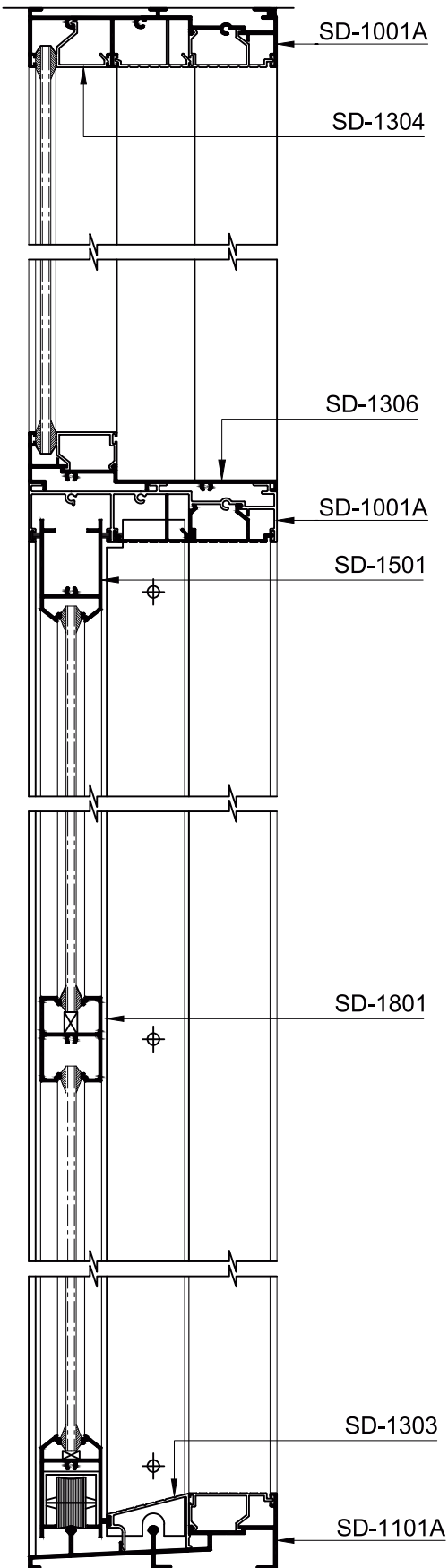
Section :- E-E



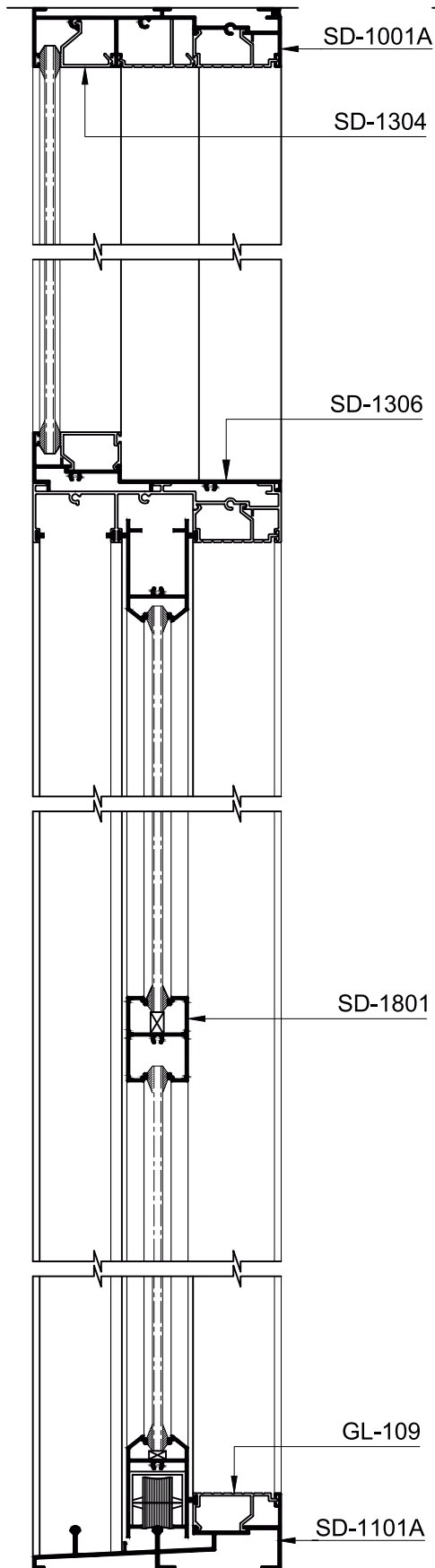
Section :- D-D

Sliding Door (3 Track)

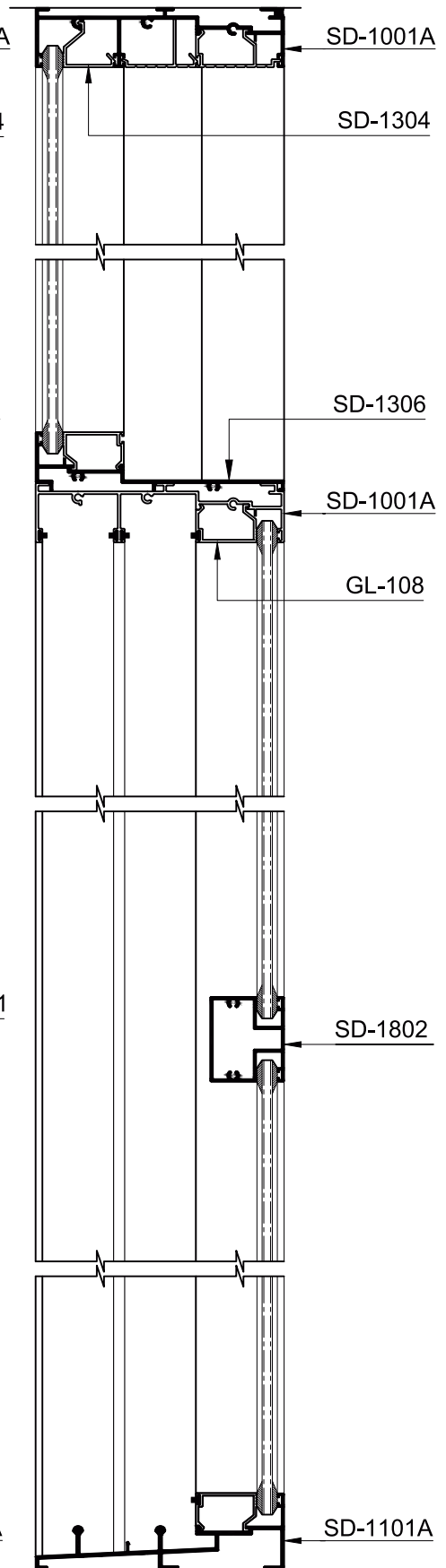
Group 03
Page 15



SECTION :- A - A

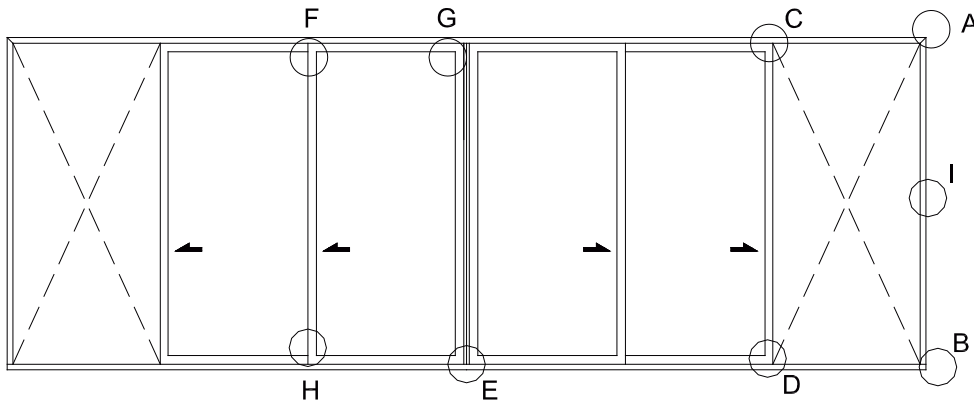


SECTION :- B - B

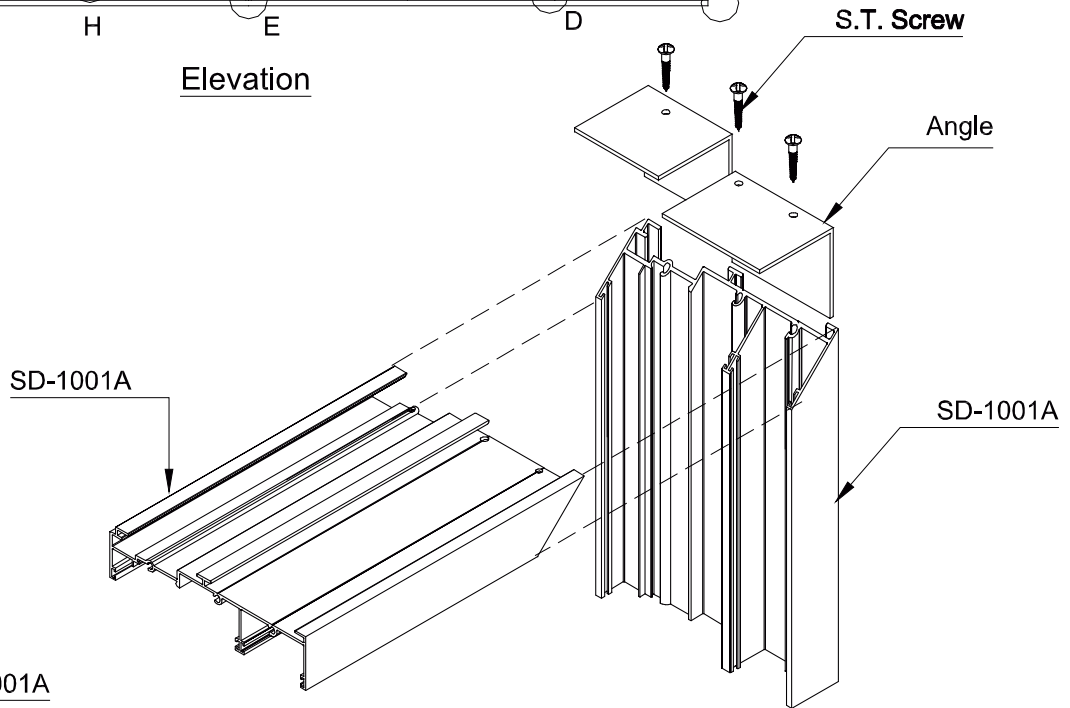


SECTION :- C - C

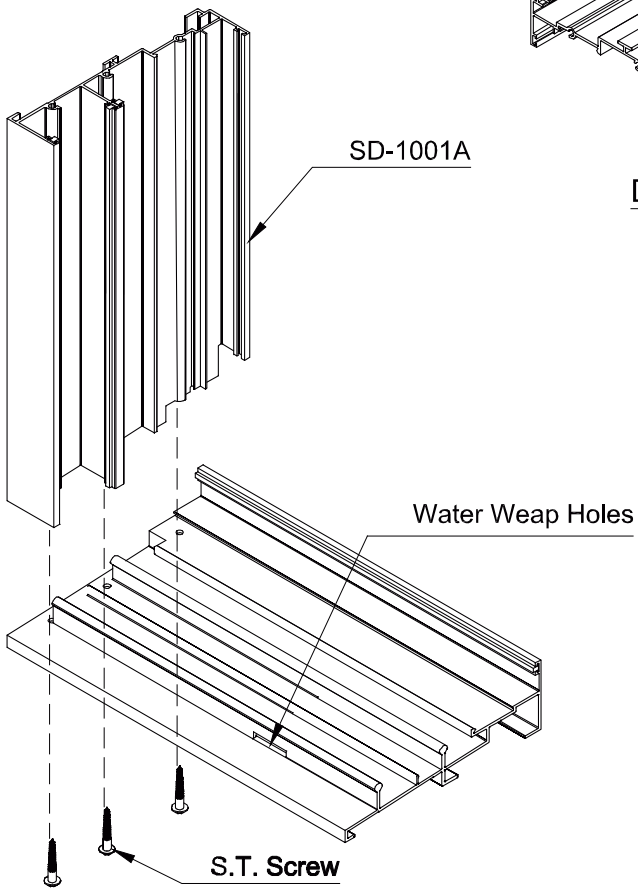
3D Assembly Detail Of Sliding Door (3 Track)



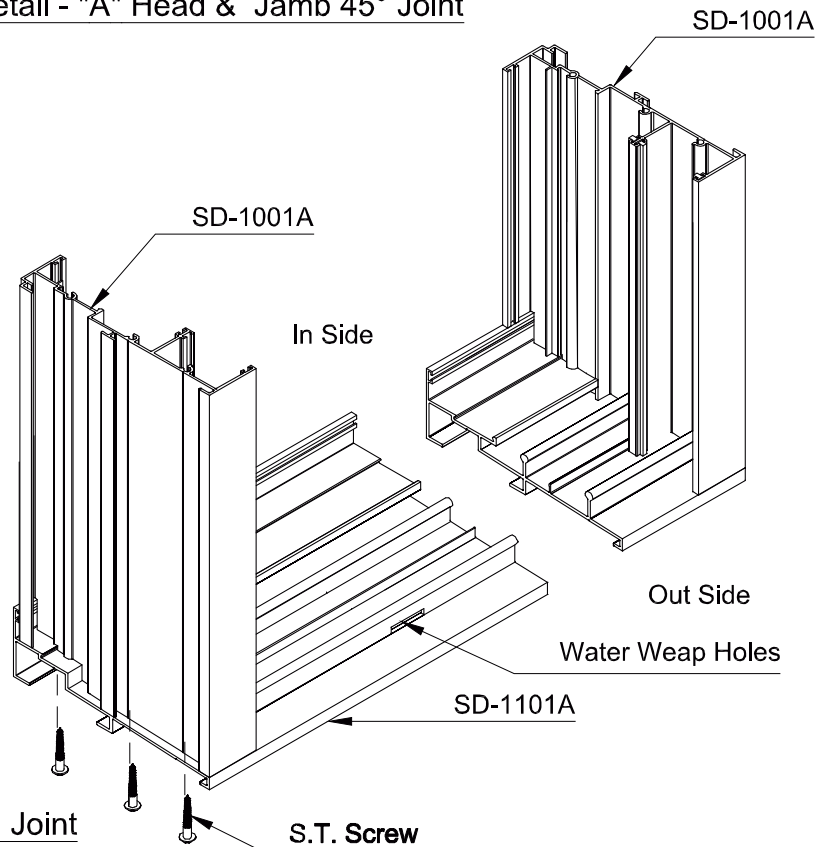
Elevation



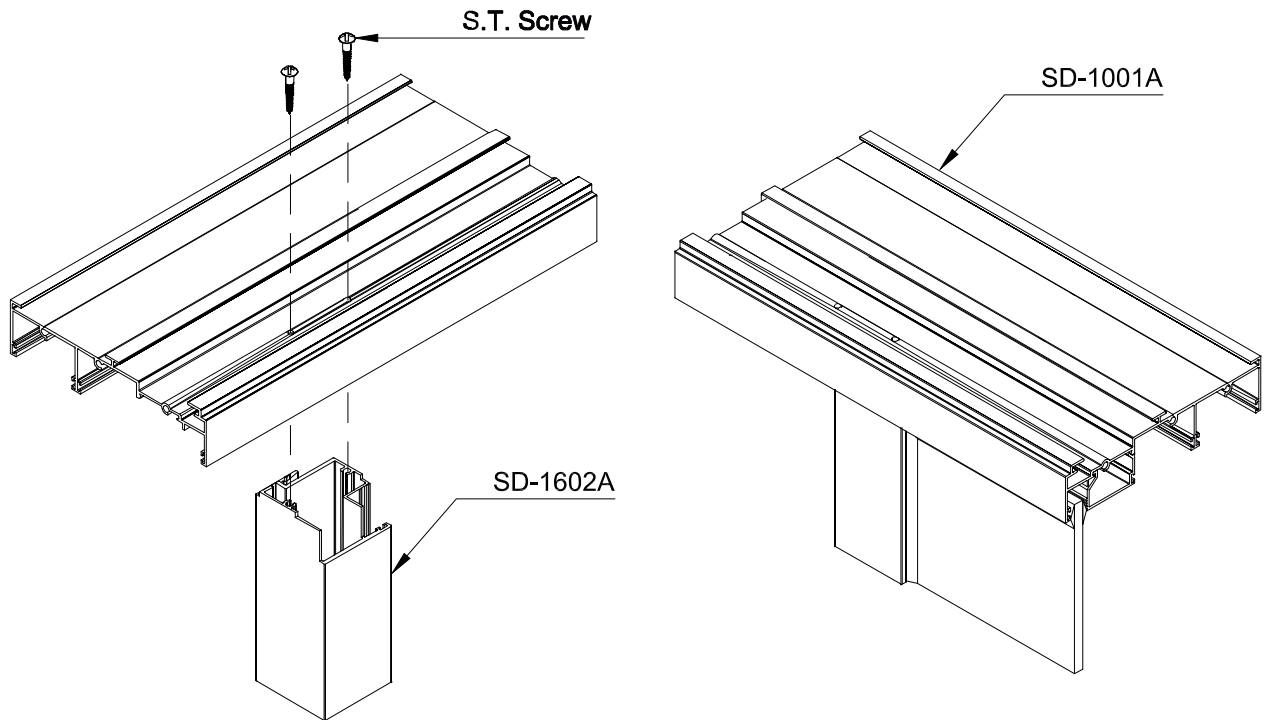
Detail - "A" Head & Jamb 45° Joint



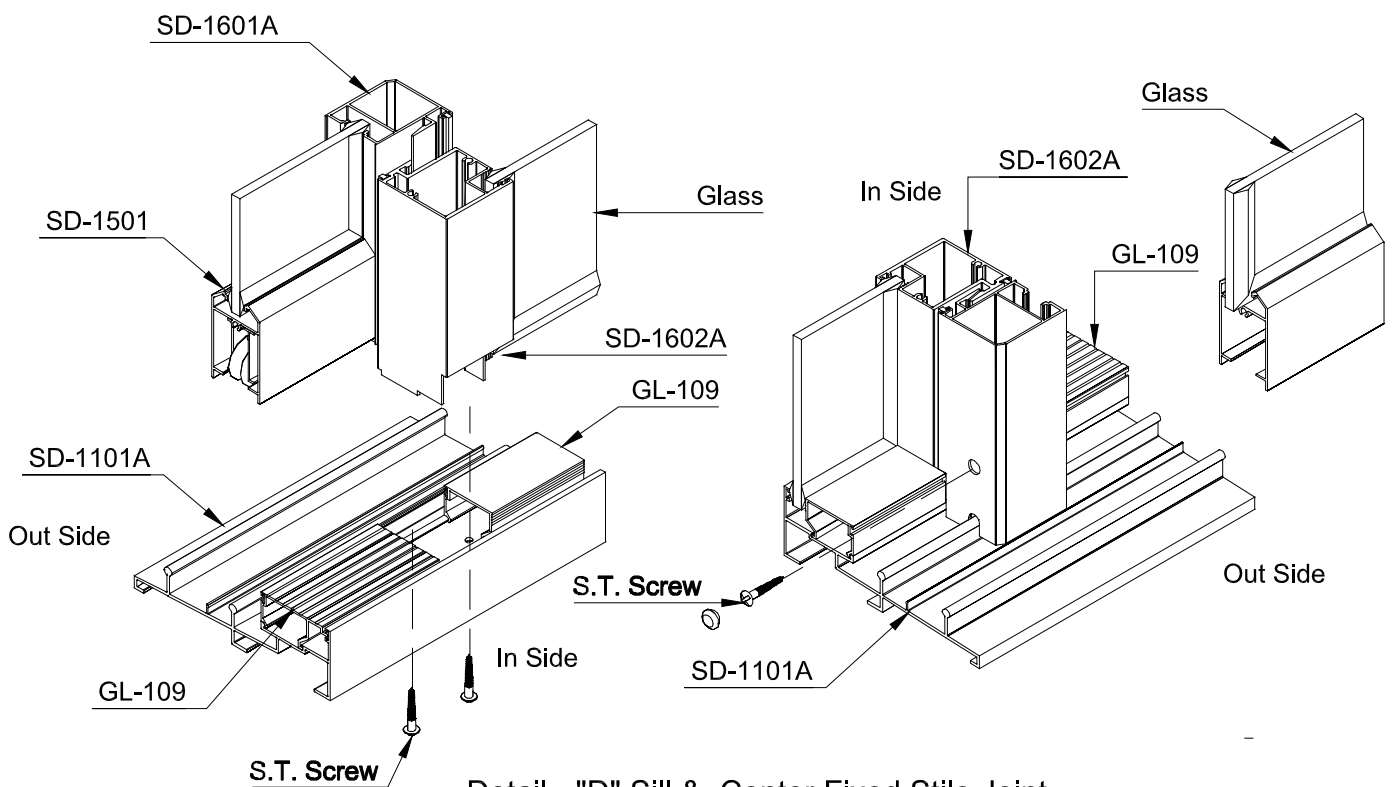
Detail - "B" Sill & Jamb 90° Joint



3D Assembly Detail Of Sliding Door (3 Track)

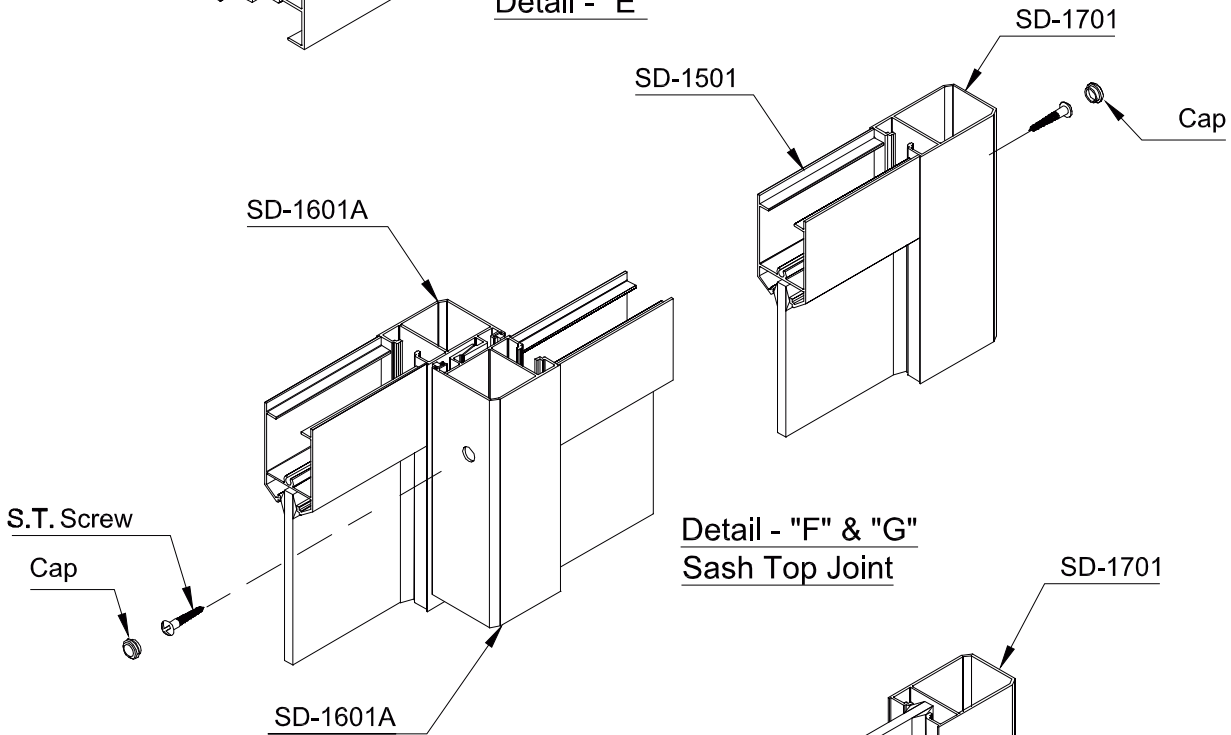
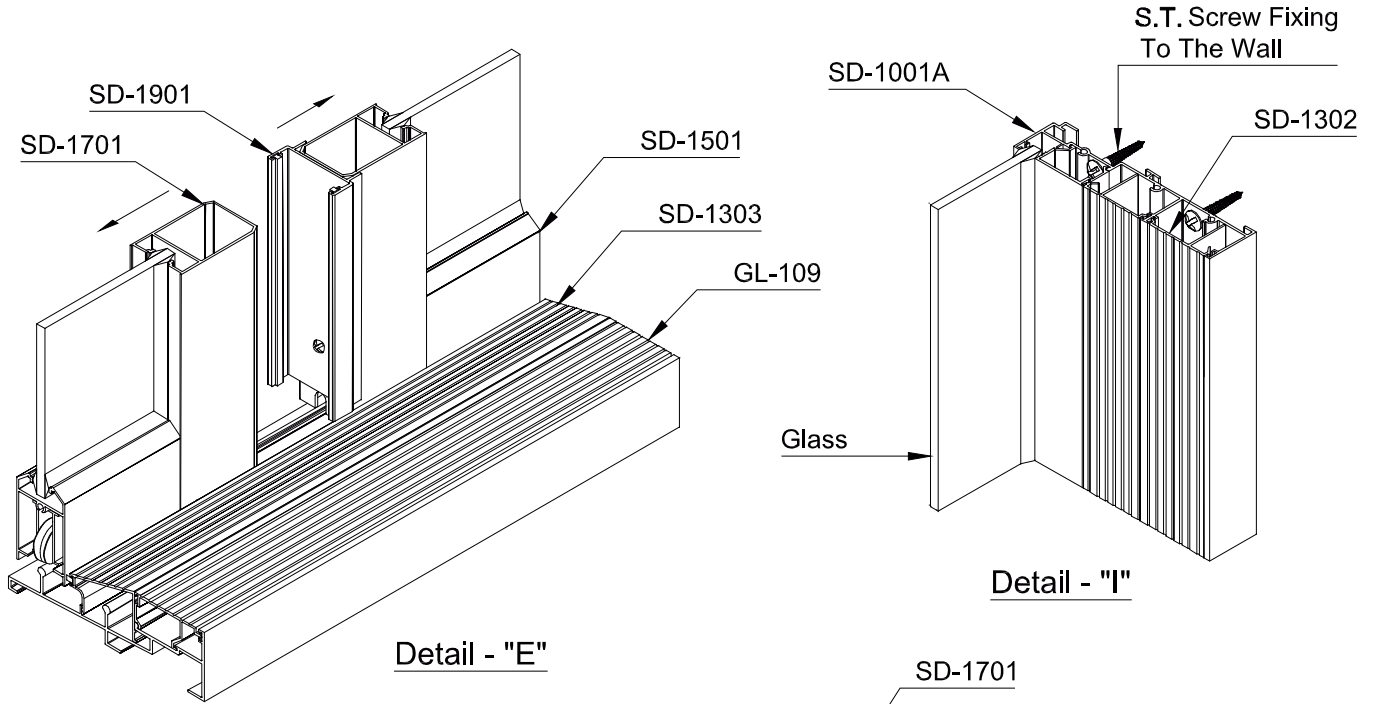


Detail - "C" Head & Center Fixed Stile Joint

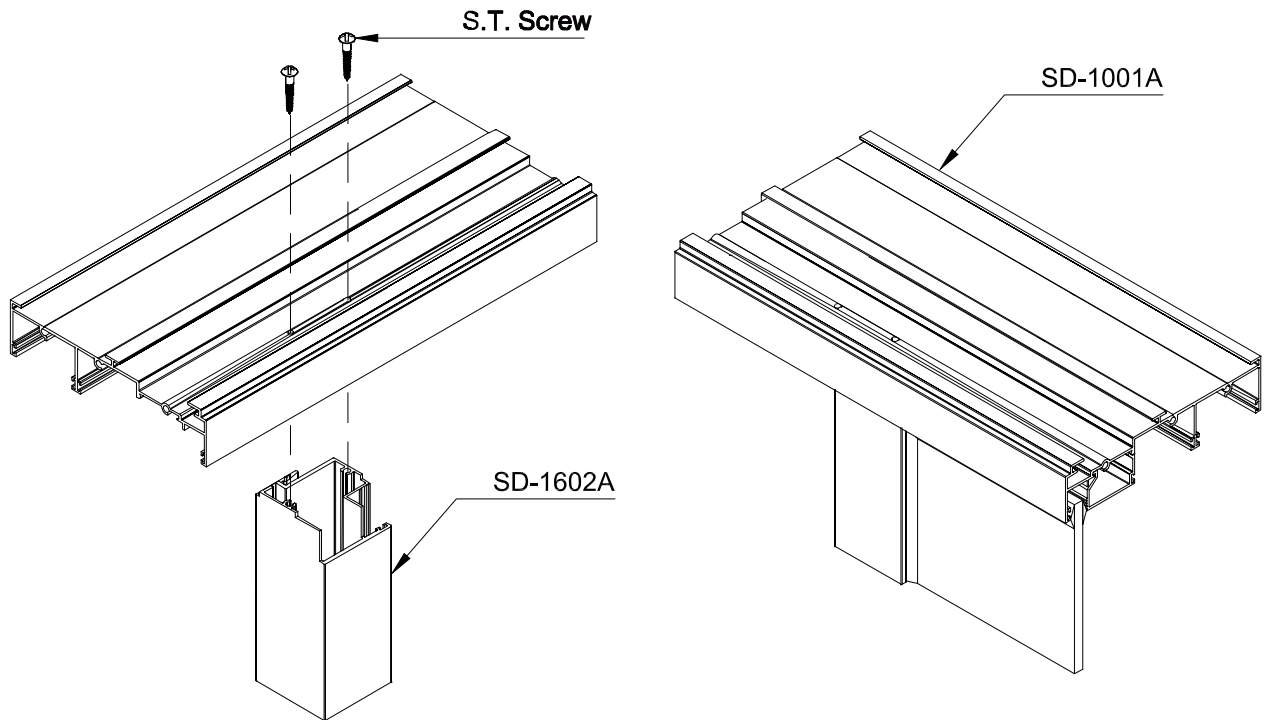


Detail - "D" Sill & Center Fixed Stile Joint

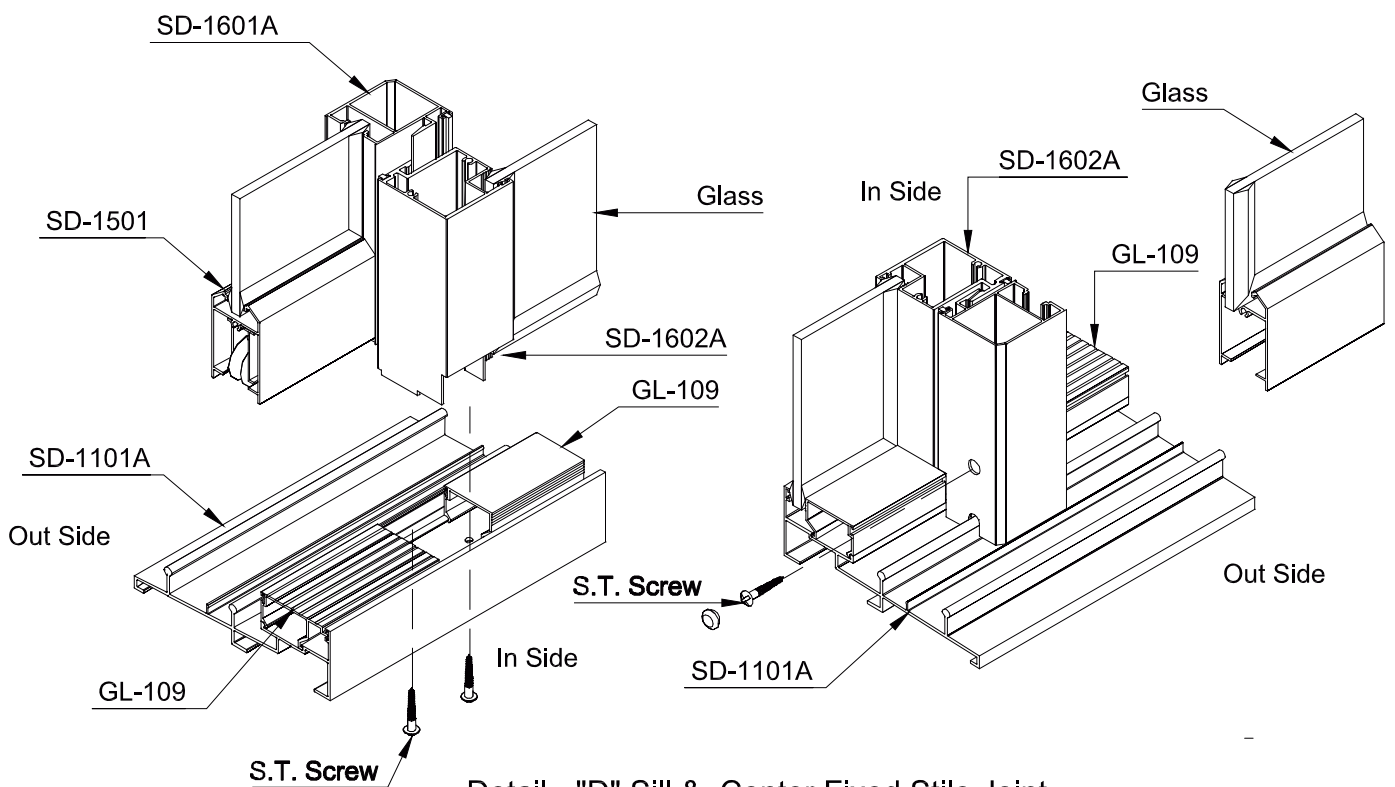
3D Assembly Detail Of Sliding Door (3 Track)



3D Assembly Detail Of Sliding Door (3 Track)



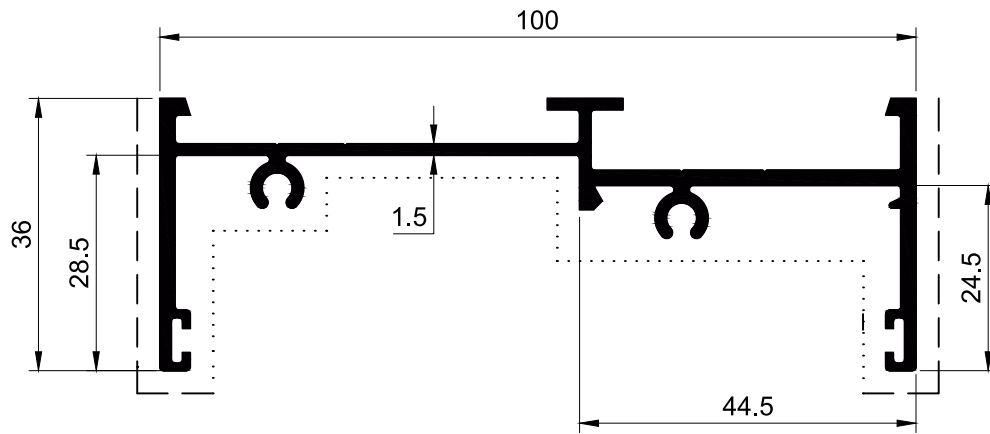
Detail - "C" Head & Center Fixed Stile Joint



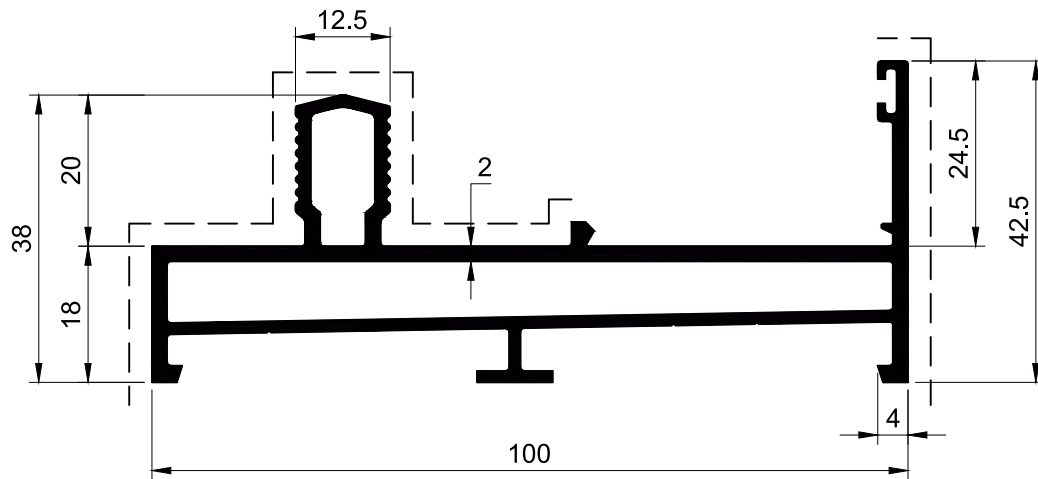
Detail - "D" Sill & Center Fixed Stile Joint

100mm Sliding Door (Double Glazing)

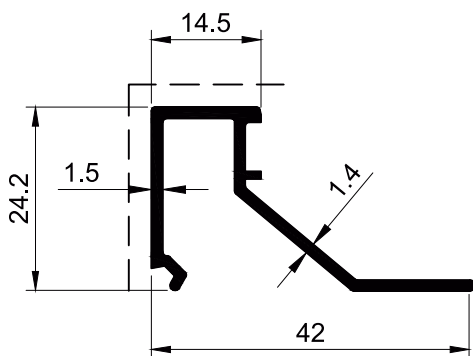
Group 03
Page 20



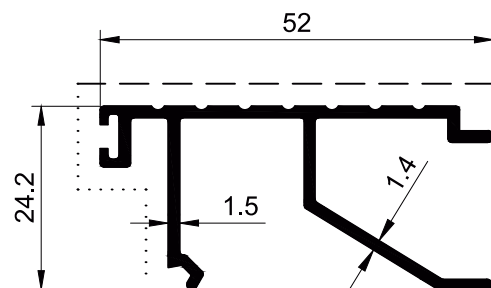
SECTION NO. - SDG-2001
EST. WEIGHT - 1.099 KG./M.



SECTION NO. - SDG-2101
EST. WEIGHT - 1.583 KG./M.



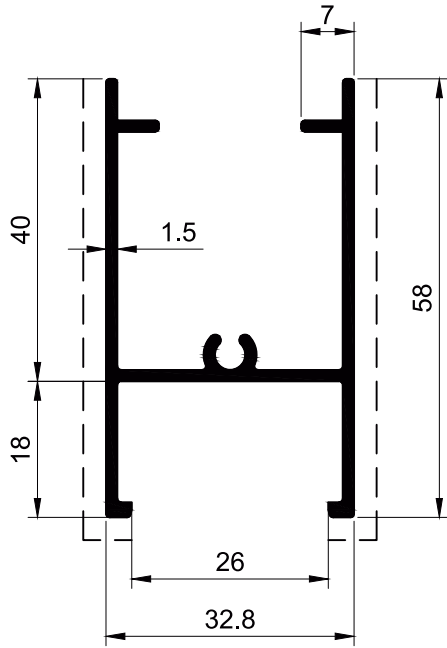
SECTION NO. - GL-114
EST. WEIGHT - 0.335 KG./M.



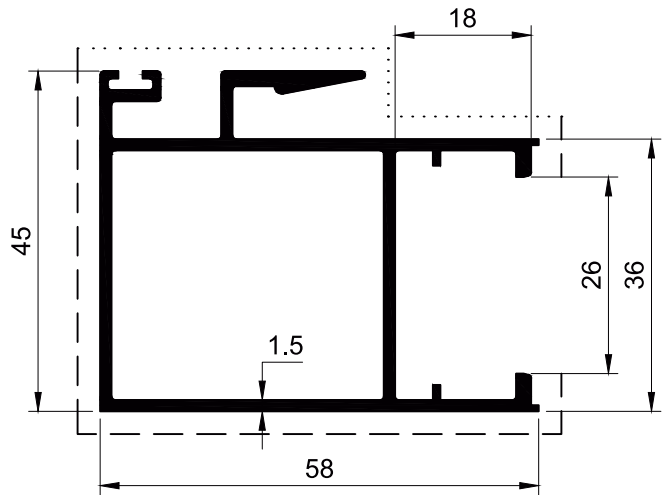
SECTION NO. - GL-115
EST. WEIGHT - 0.493 KG./M.

----- : Significant Surface
..... : Insignificant Surface

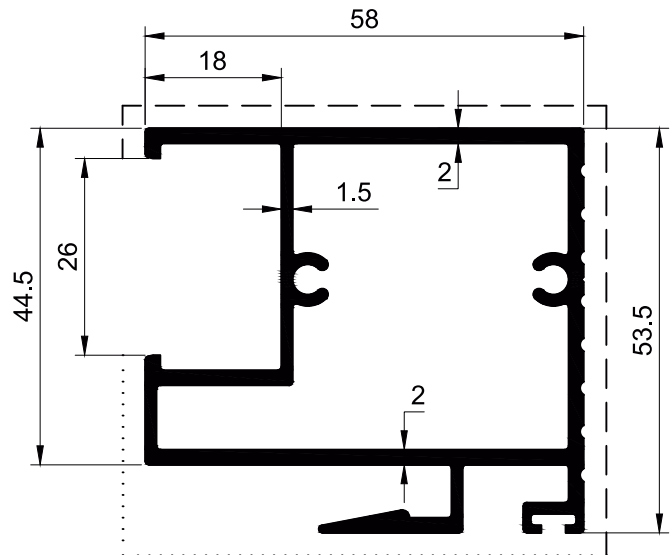
100mm Sliding Door (Double Glazing)



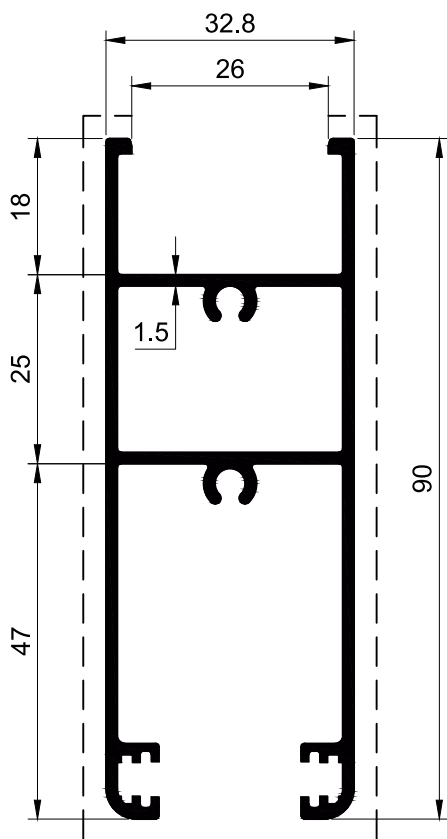
SECTION NO. - SDG-2401
EST. WEIGHT - 0.696 KG./M.



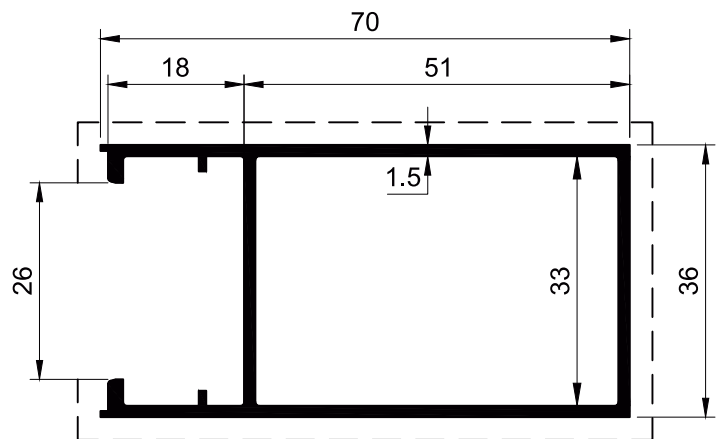
SECTION NO. - SDG-2601
EST. WEIGHT - 0.989 KG./M.



SECTION NO. - SDG-2602
EST. WEIGHT - 1.410 KG./M.



SECTION NO. - SDG-2501
EST. WEIGHT - 1.189 KG./M.

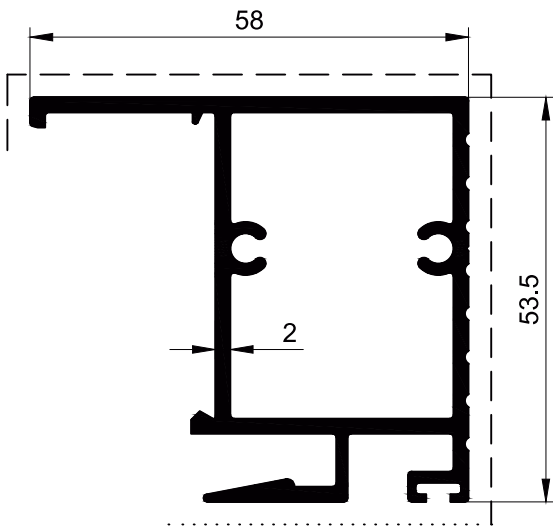


SECTION NO. - SDG-2701
EST. WEIGHT - 0.879 KG./M.

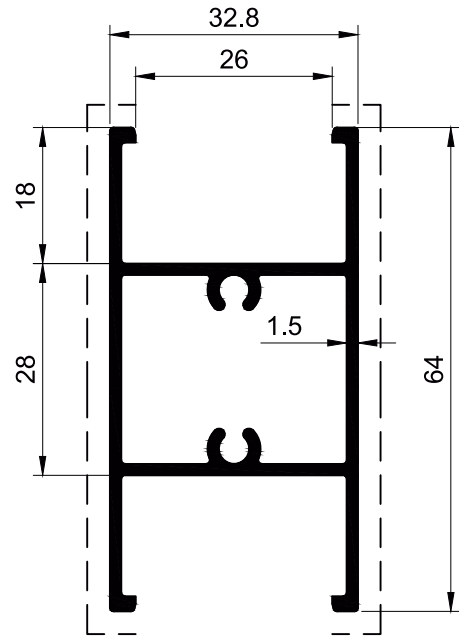
----- : Significant Surface
..... : Insignificant Surface

100mm Sliding Door (Double Glazing)

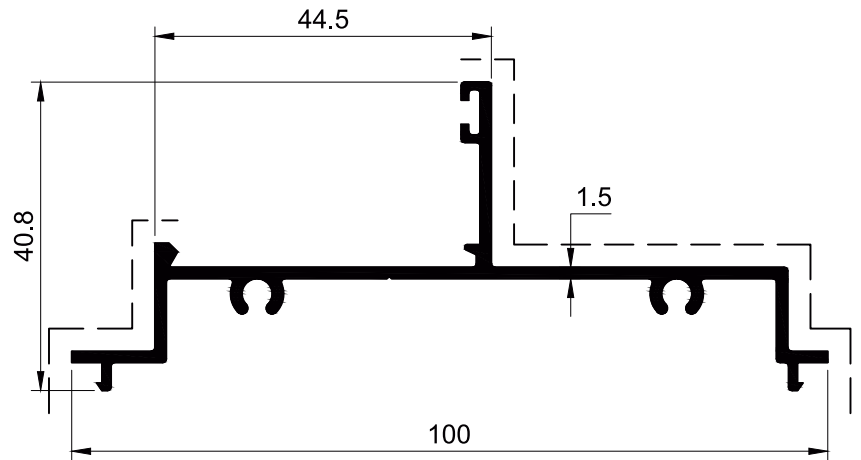
Group 03
Page 22



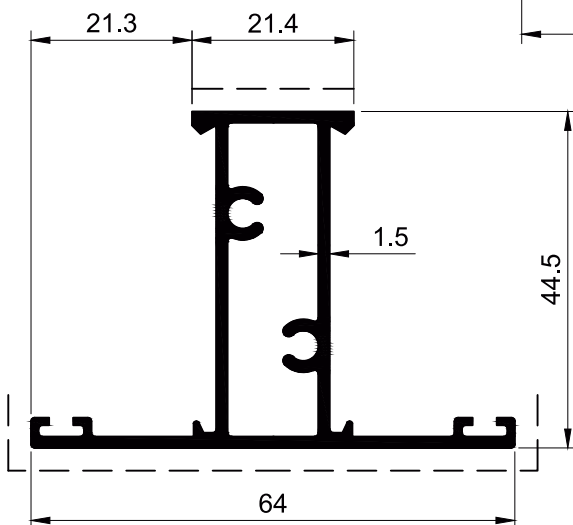
SECTION NO. - SDG-2603
EST. WEIGHT - 1.250 KG./M.



SECTION NO. - SDG-2801
EST. WEIGHT - 0.883 KG./M.



SECTION NO. - 100SFL-101
EST. WEIGHT - 0.753 KG./M.

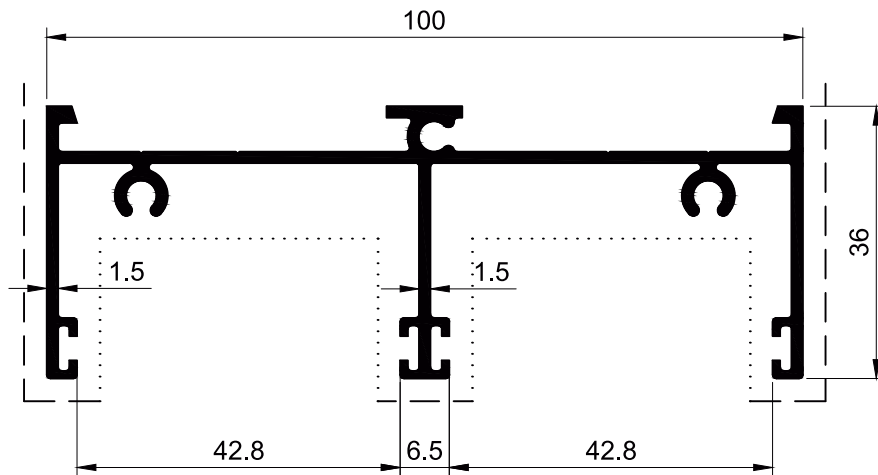


SECTION NO. - CA-1117
EST. WEIGHT - 0.840 KG./M.

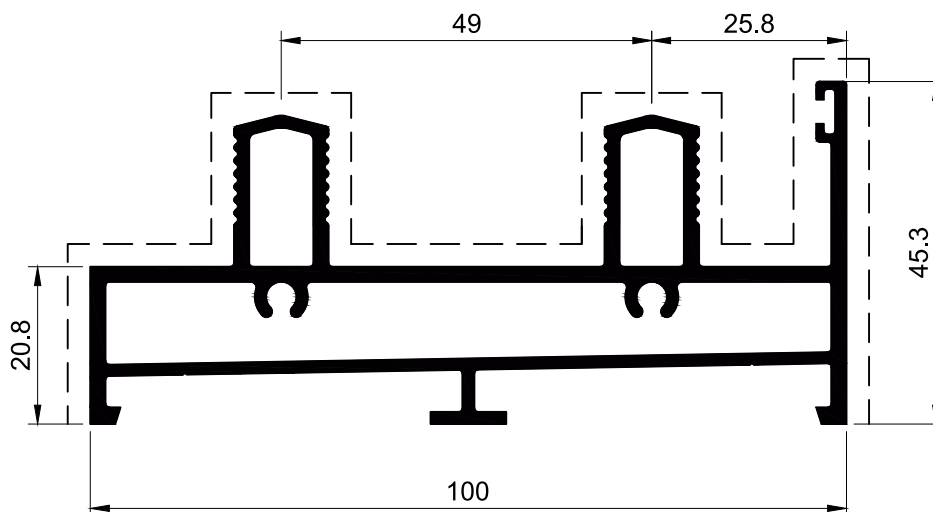
----- : Significant Surface
..... : Insignificant Surface

100mm Sliding Door (Double Glazing)

Group 03
Page 23

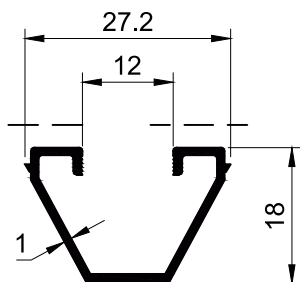


SECTION NO. - SDG-2002
EST. WEIGHT - 1.109 KG./M.

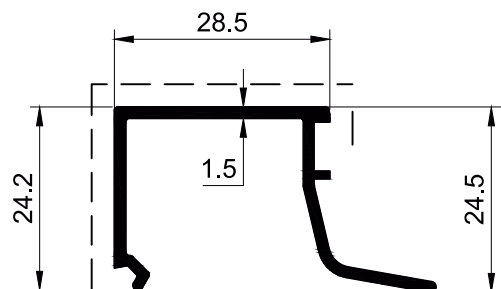


SECTION NO. - SDG-2102
EST. WEIGHT - 1.893 KG./M.

Single Glazing



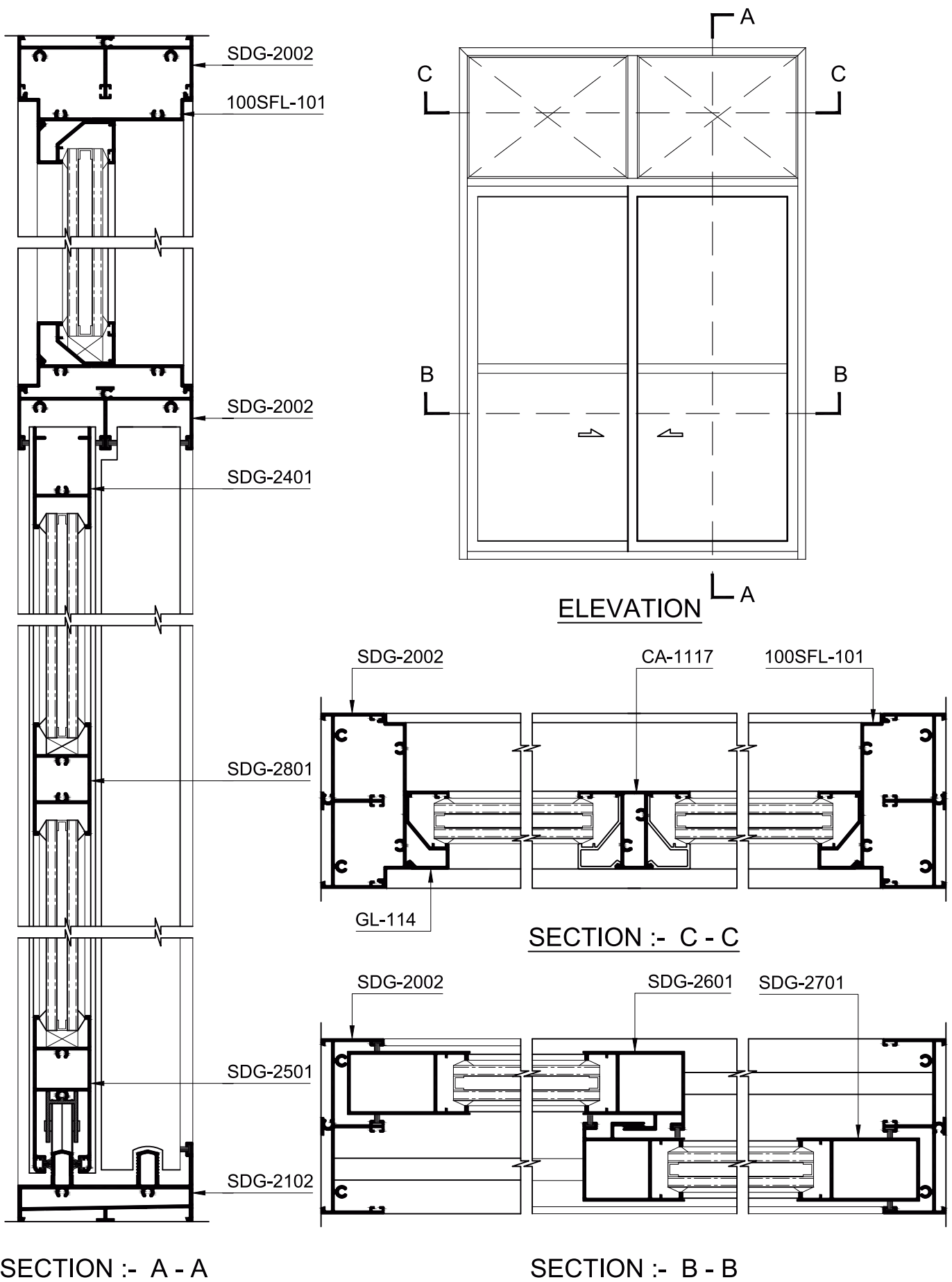
SECTION NO. - SDG-2902
EST. WEIGHT - 0.183 KG./M.



SECTION NO. - GL-113
EST. WEIGHT - 0.350 KG./M.

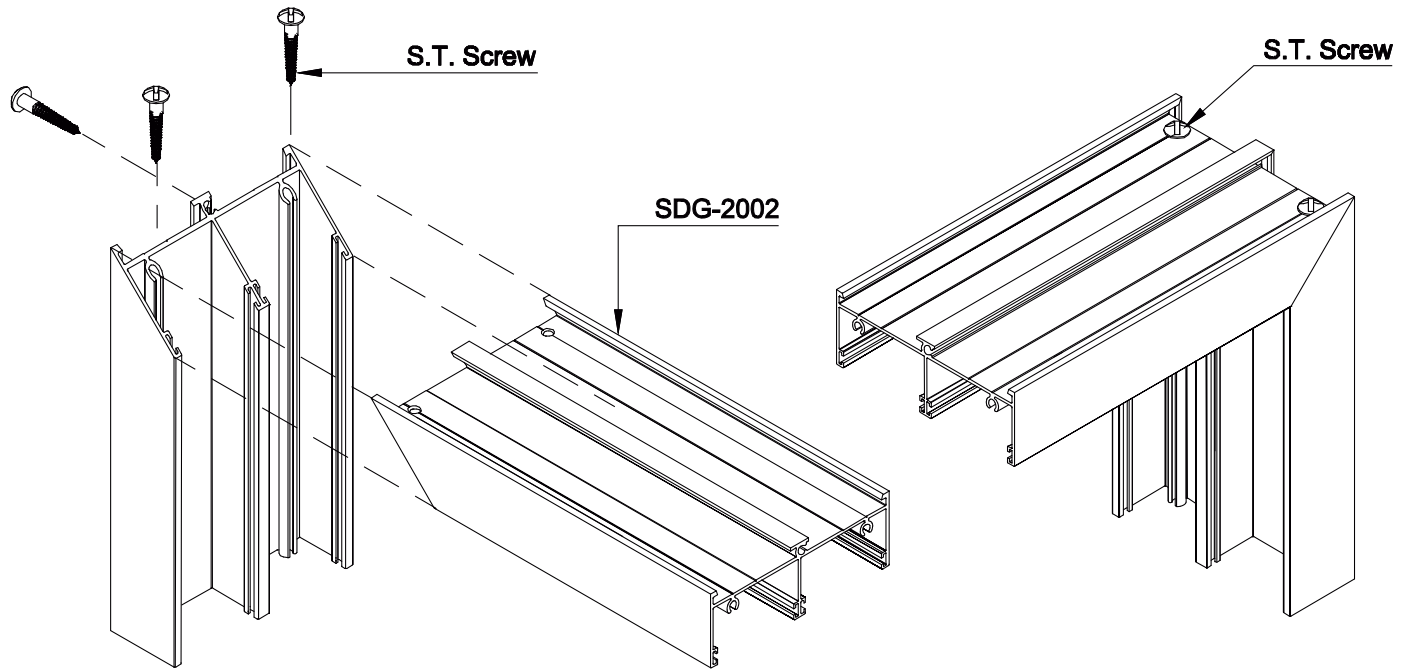
----- : Significant Surface
..... : Insignificant Surface

100mm Sliding Door (Double Glazing)

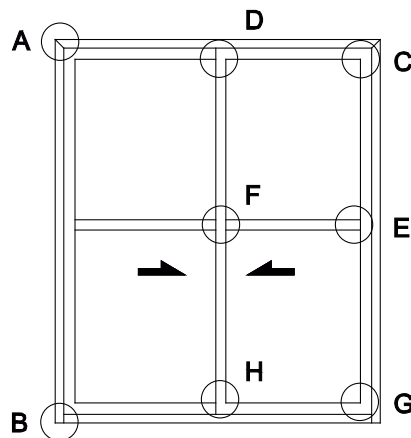


PERFORMANCE TESTS WERE CONDUCTED IN A UKAS ACCREDITED LAB

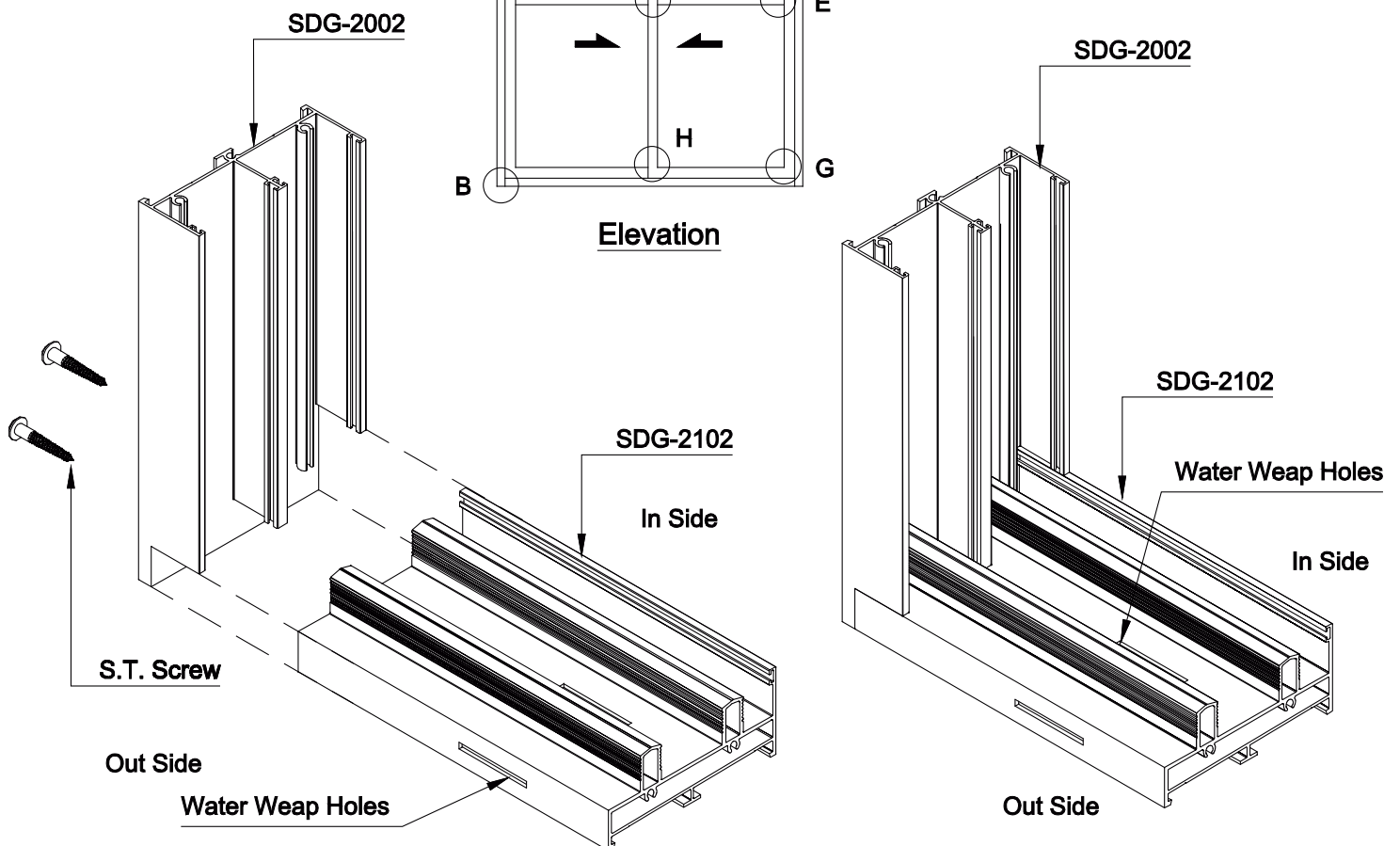
3D Assembly Detail Of 100mm Sliding Door (Double Glazing)



Detail - "A" Head & Jamb 45° Joint

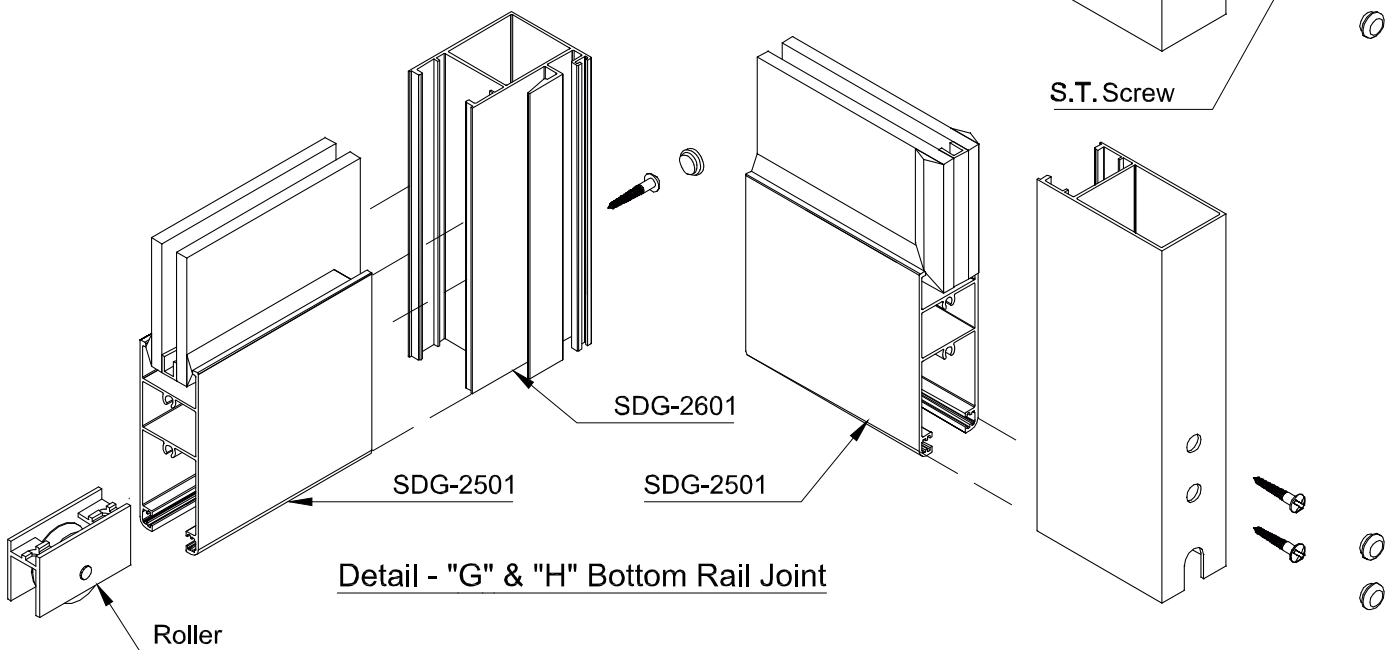
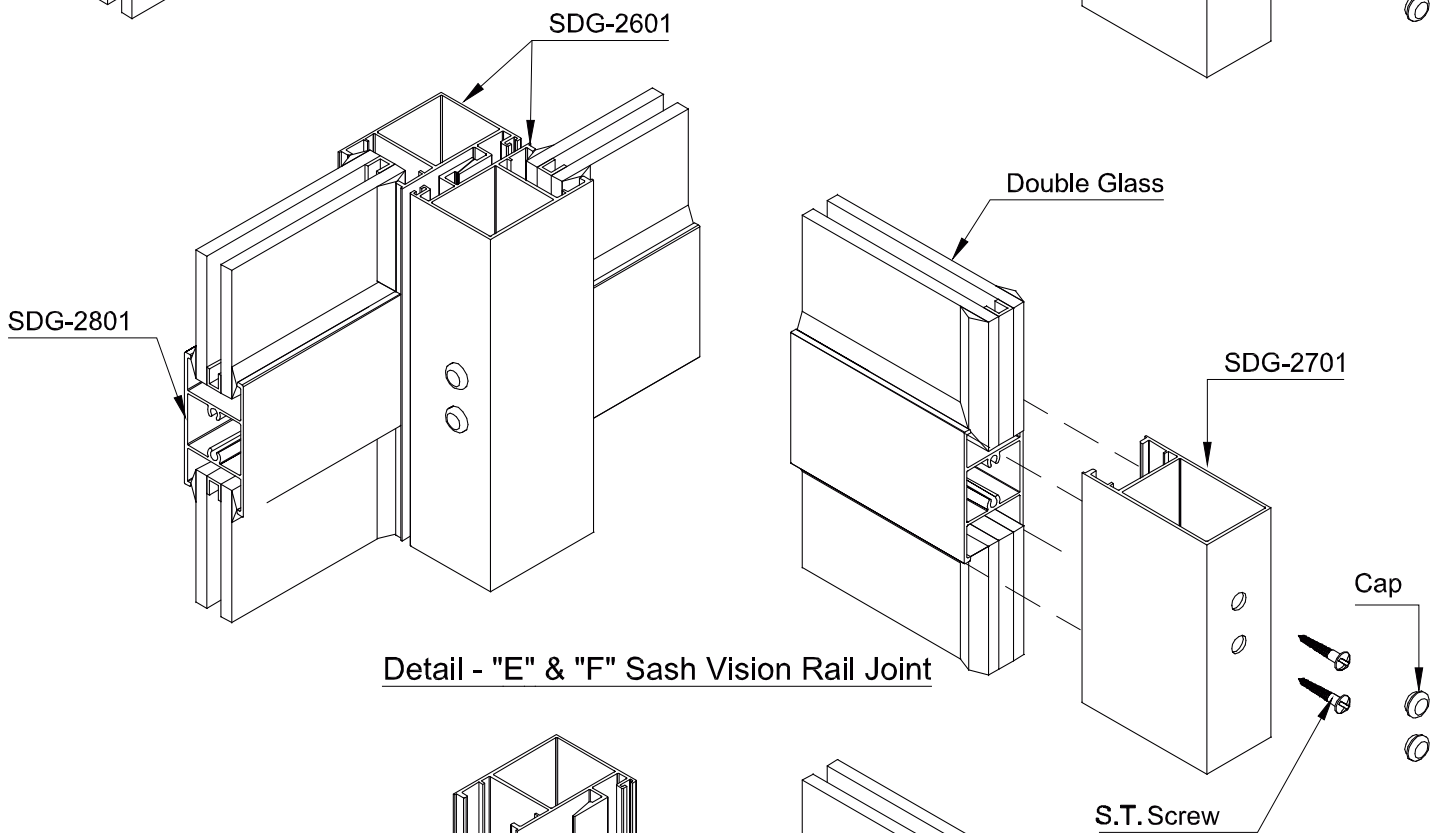
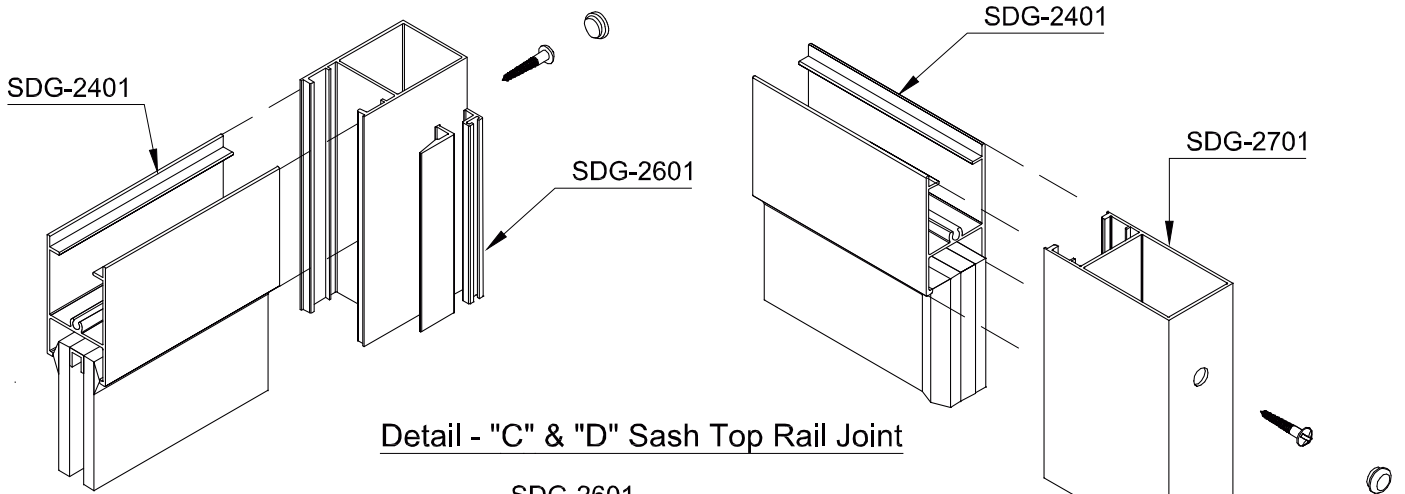


Elevation

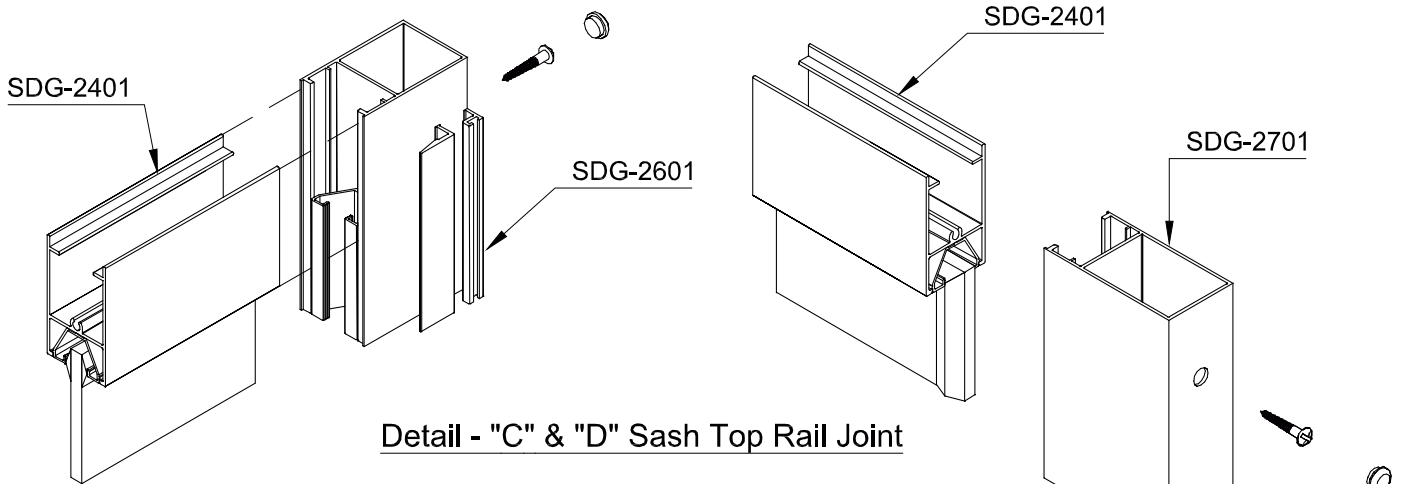


Detail - "B" Sill & Jamb 90° Joint

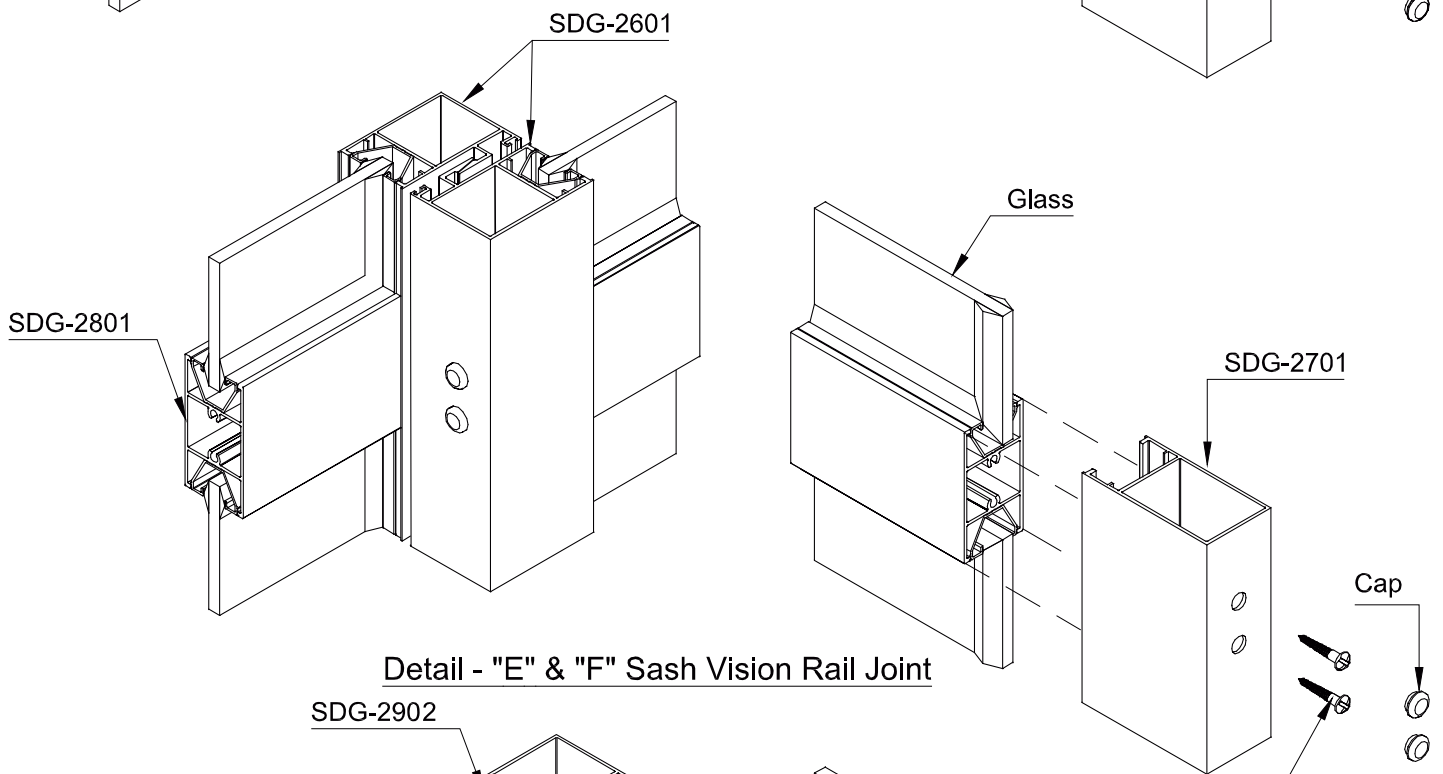
3D Assembly Detail Of 100mm Sliding Door (Double Glazing)



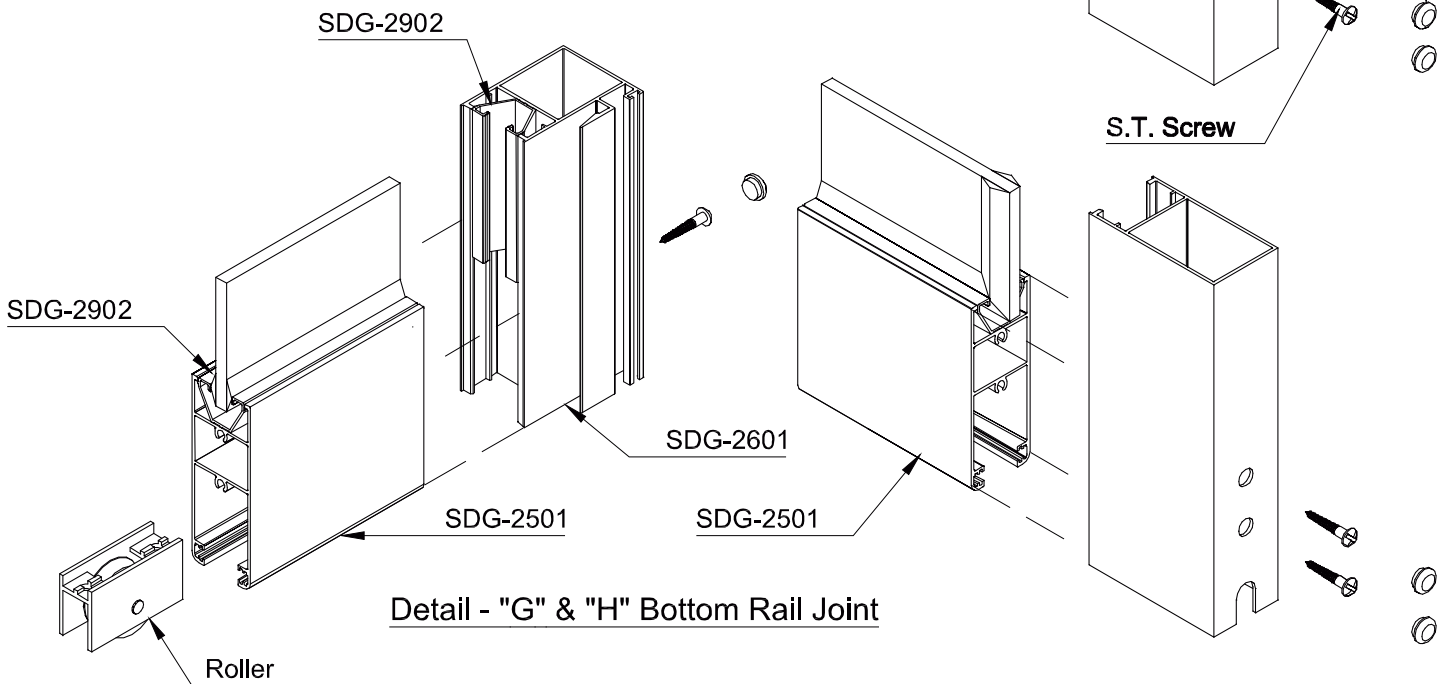
3D Assembly Detail Of 100mm Sliding Door (Single Glazing)



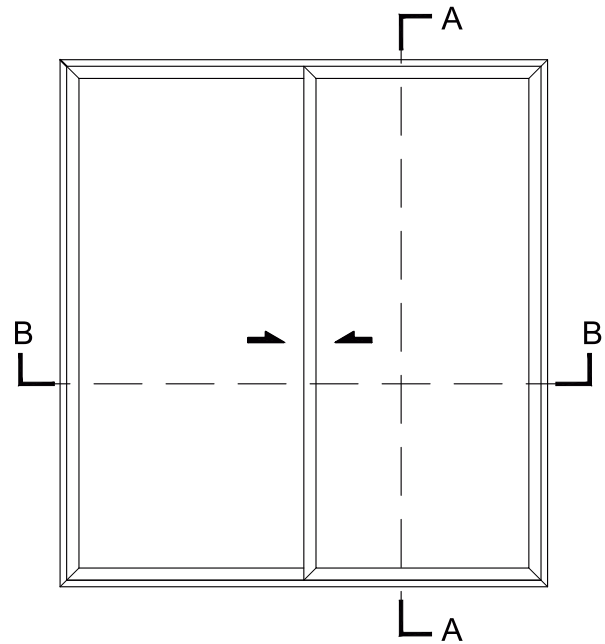
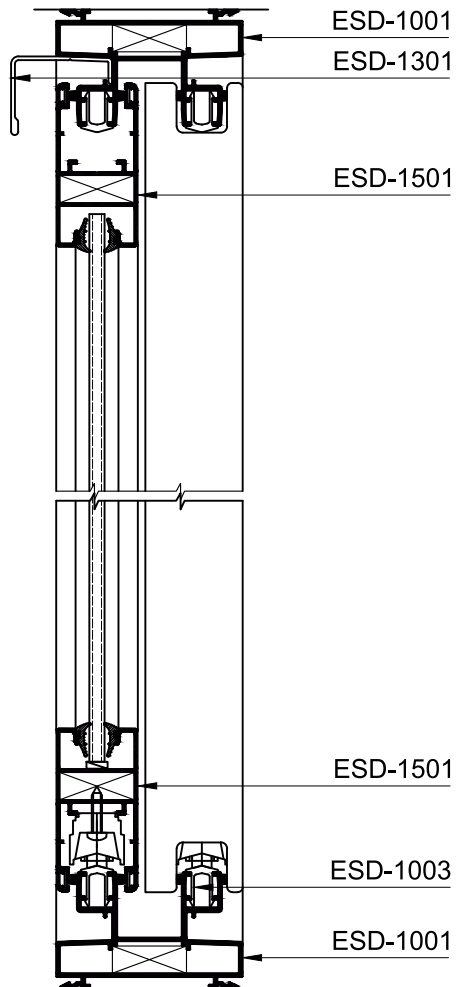
Detail - "C" & "D" Sash Top Rail Joint



Detail - "E" & "F" Sash Vision Rail Joint

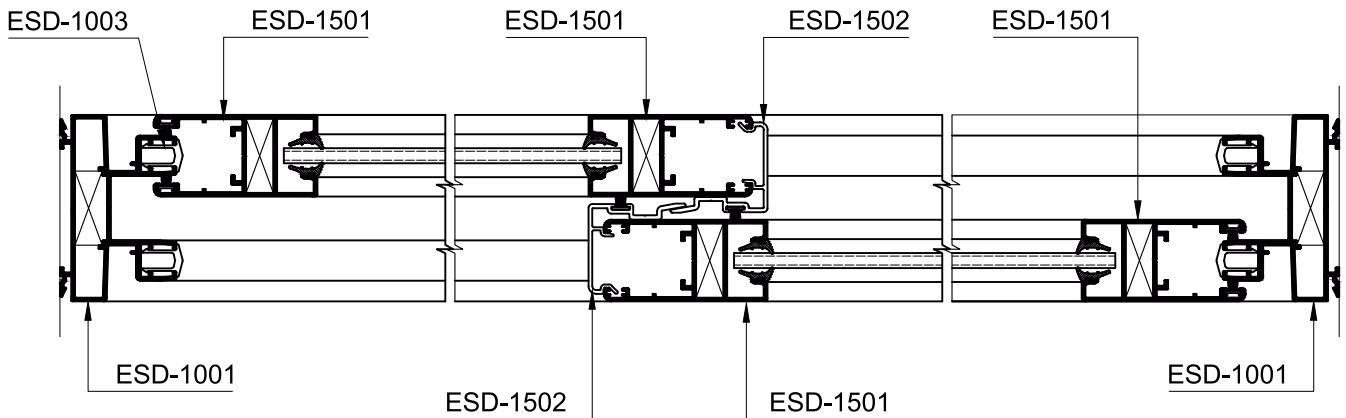


Detail - "G" & "H" Bottom Rail Joint



ELEVATION

SECTION :- A - A

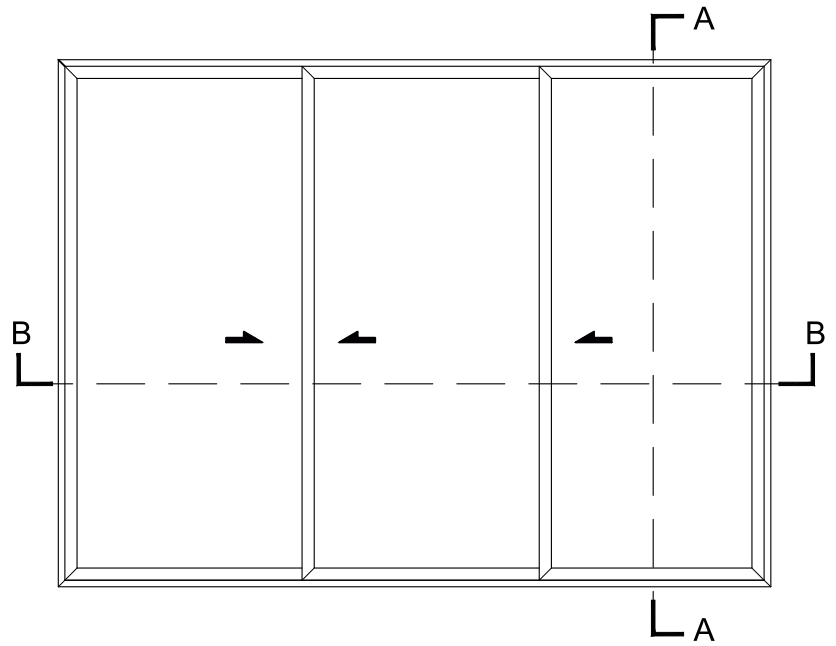
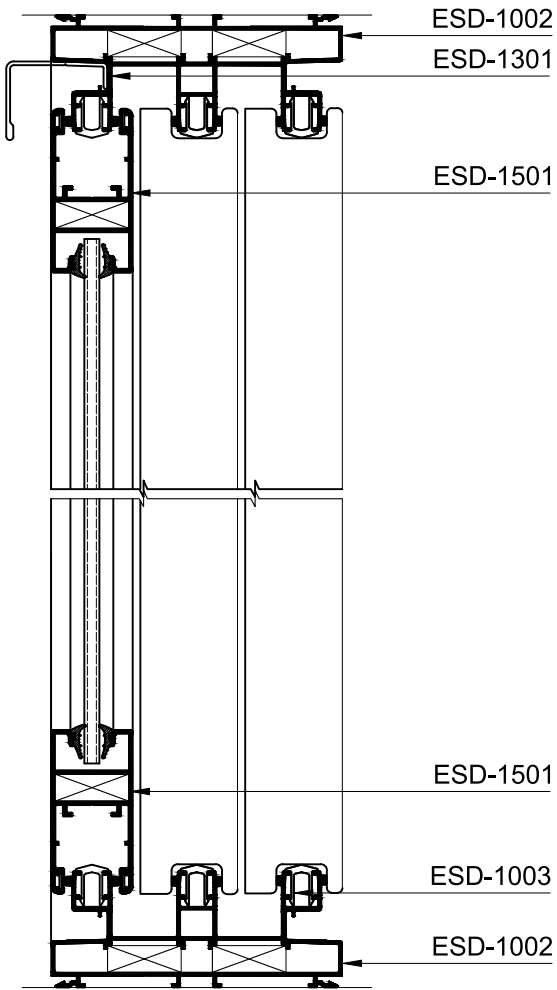


SECTION :- B - B

PERFORMANCE TESTS WERE CONDUCTED IN A UKAS ACCREDITED LAB

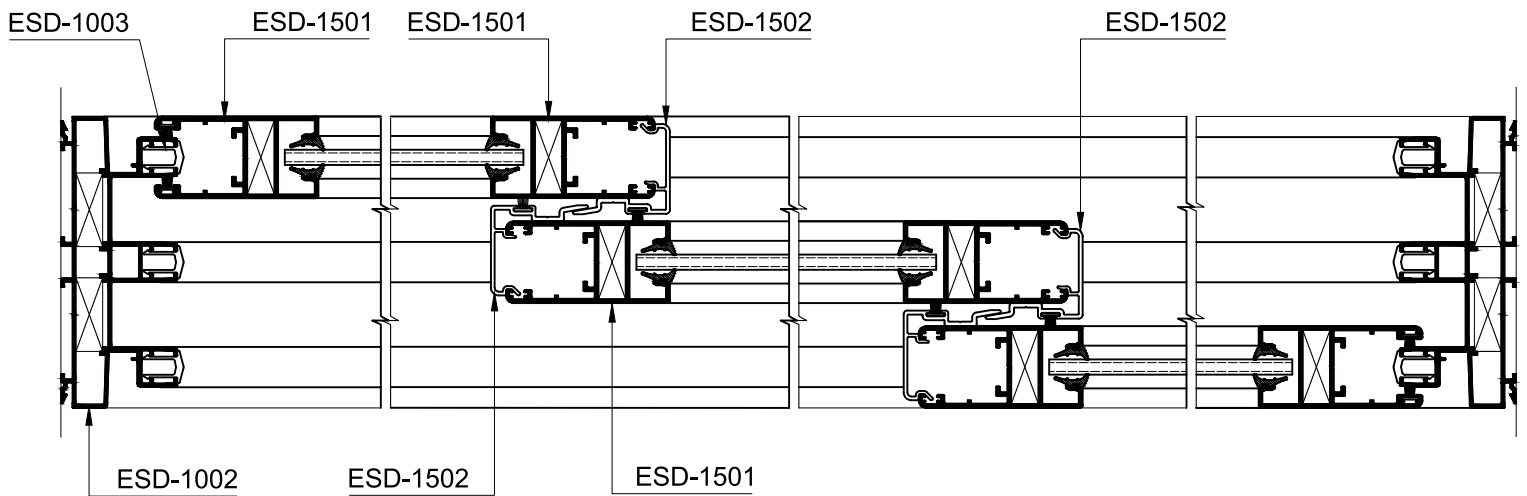
'C' Groove Sliding

Group 04
Page 02



ELEVATION

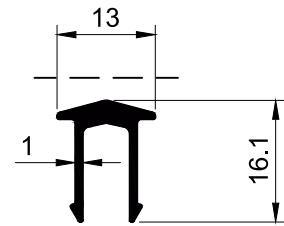
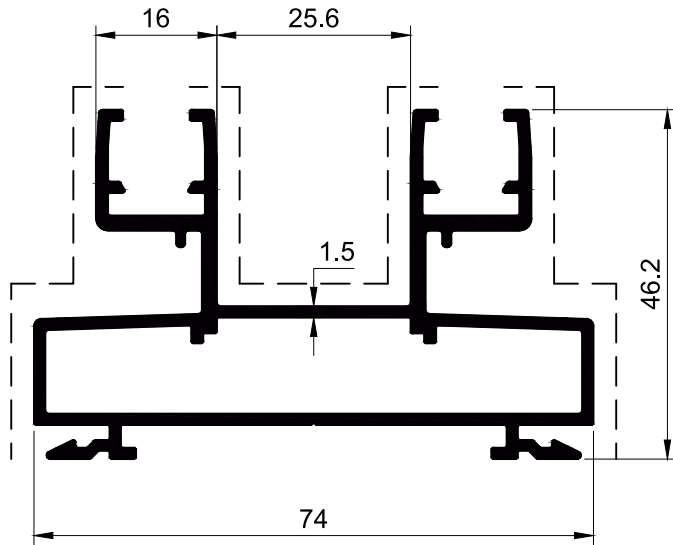
SECTION :- A - A



SECTION :- B - B

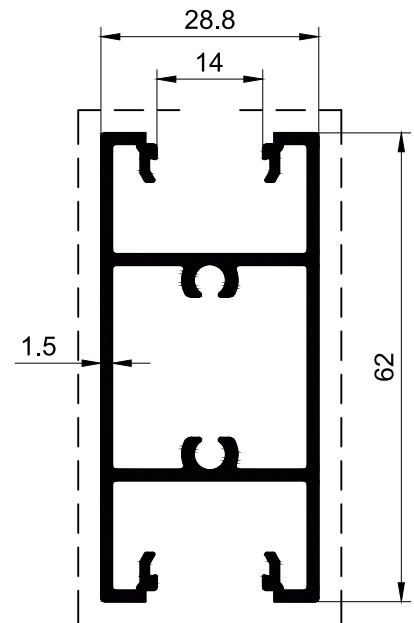
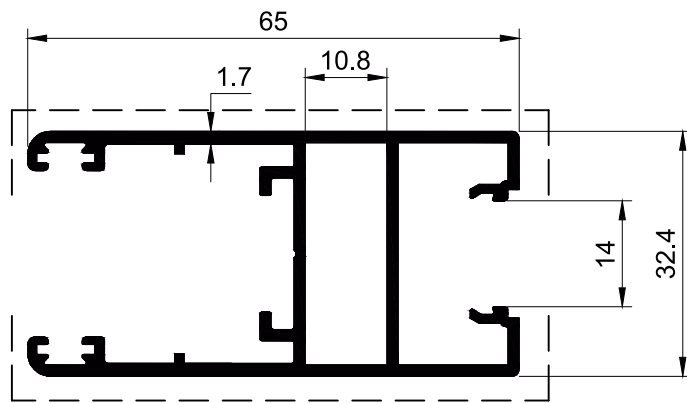
'C' Groove Sliding

Group 04
Page 03



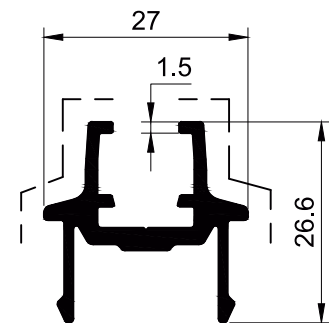
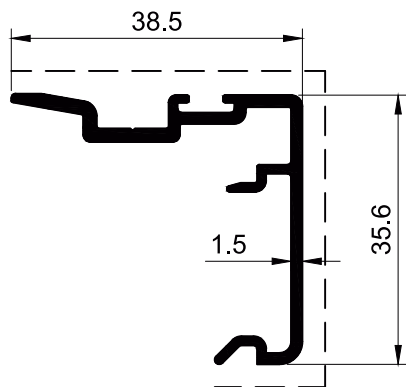
SECTION NO. - ESD-1003
EST. WEIGHT - 0.148 KG./M.

SECTION NO. - ESD-1001
EST. WEIGHT - 1.445 KG./M.



SECTION NO. - ESD-1801
EST. WEIGHT - 0.956 KG./M.

SECTION NO. - ESD-1501
EST. WEIGHT - 1.024 KG./M.



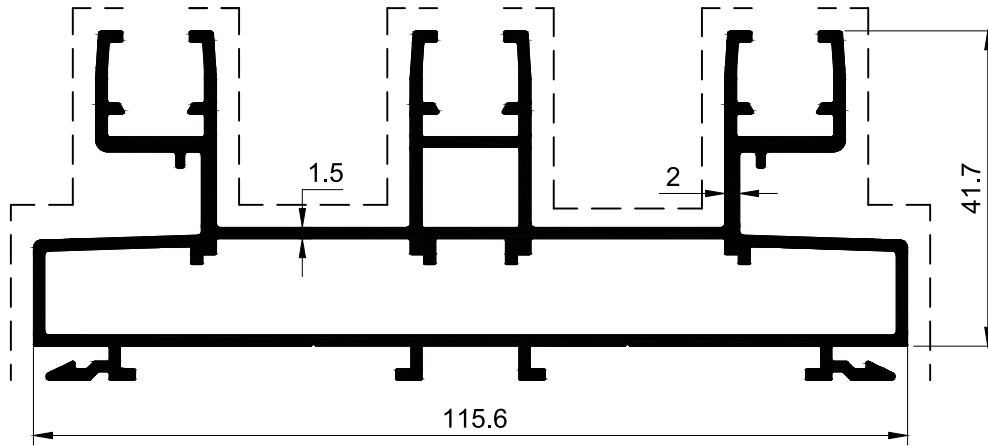
SECTION NO. - ESD-1901
EST. WEIGHT - 0.438 KG./M.

SECTION NO. - ESD-1502
EST. WEIGHT - 0.429 KG./M.

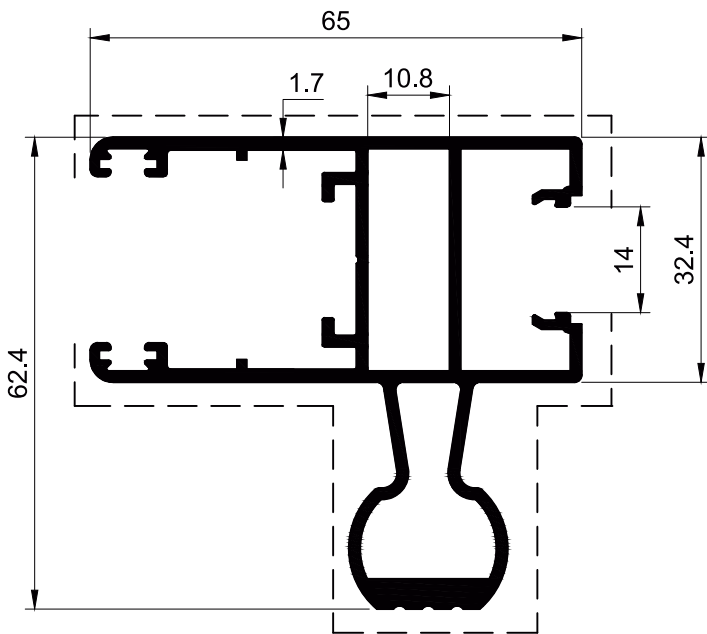
----- : Significant Surface
..... : Insignificant Surface

'C' Groove Sliding

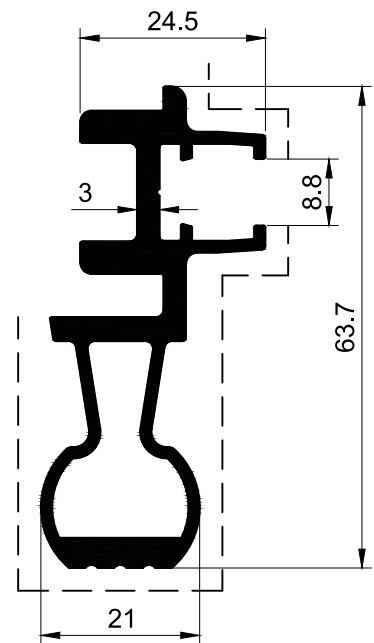
Group 04
Page 04



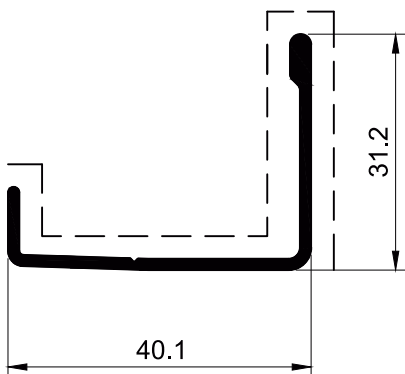
SECTION NO. - ESD-1002
EST. WEIGHT - 2.184 KG./M.



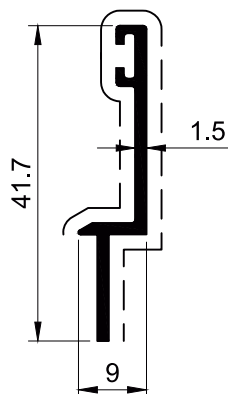
SECTION NO. - ESD-1503
EST. WEIGHT - 1.443 KG./M.



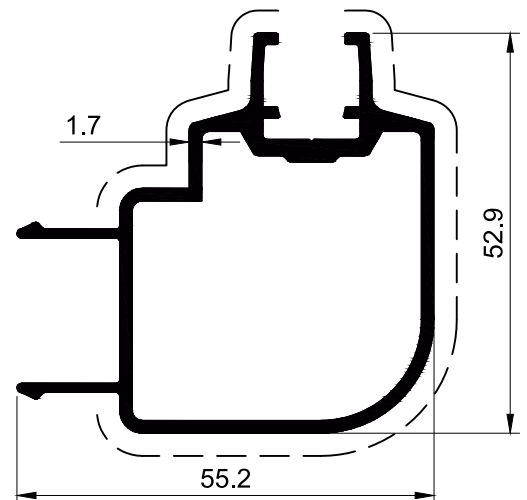
SECTION NO. - ESD-1902
EST. WEIGHT - 1.194 KG./M.



SECTION NO. - ESD-1301
EST. WEIGHT - 0.332 KG./M.



SECTION NO. - ESD-1302
EST. WEIGHT - 0.218 KG./M.

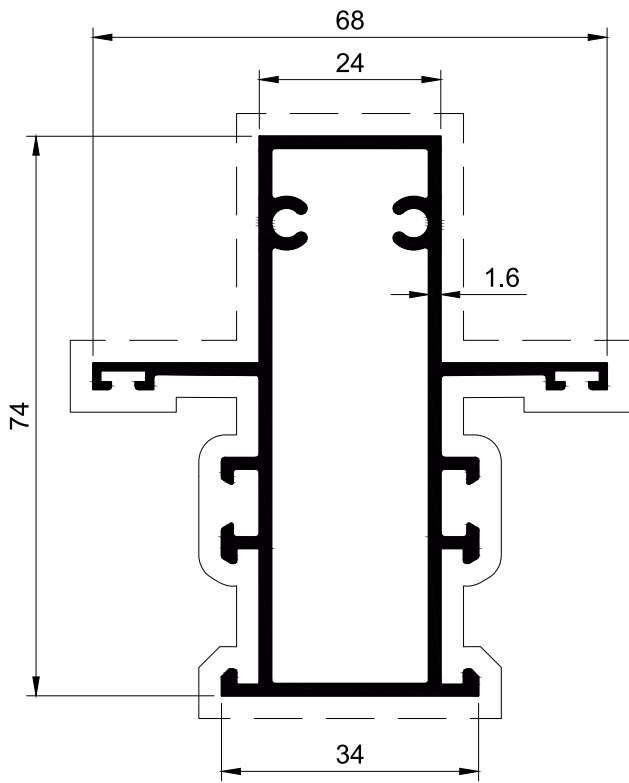


SECTION NO. - ESD-1903
EST. WEIGHT - 1.004 KG./M.

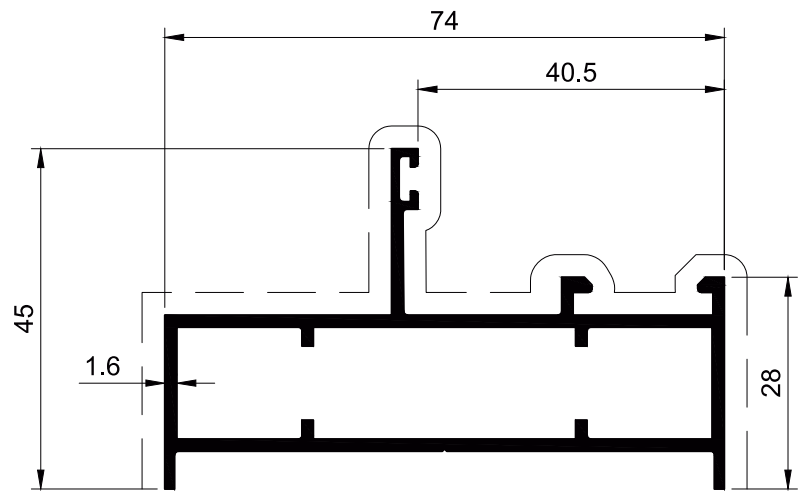
----- : Significant Surface
..... : Insignificant Surface

'C' Groove Sliding

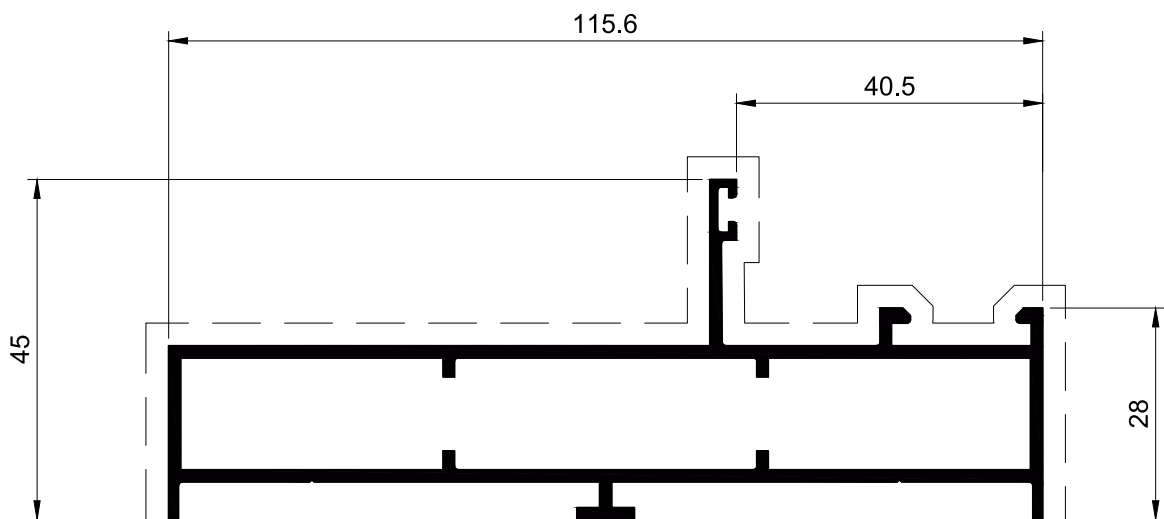
Group 04
Page 05



SECTION NO. - ECA-28
EST. WEIGHT - 1.290 KG./M.



SECTION NO. - ECA-23
EST. WEIGHT - 1.007 KG./M.

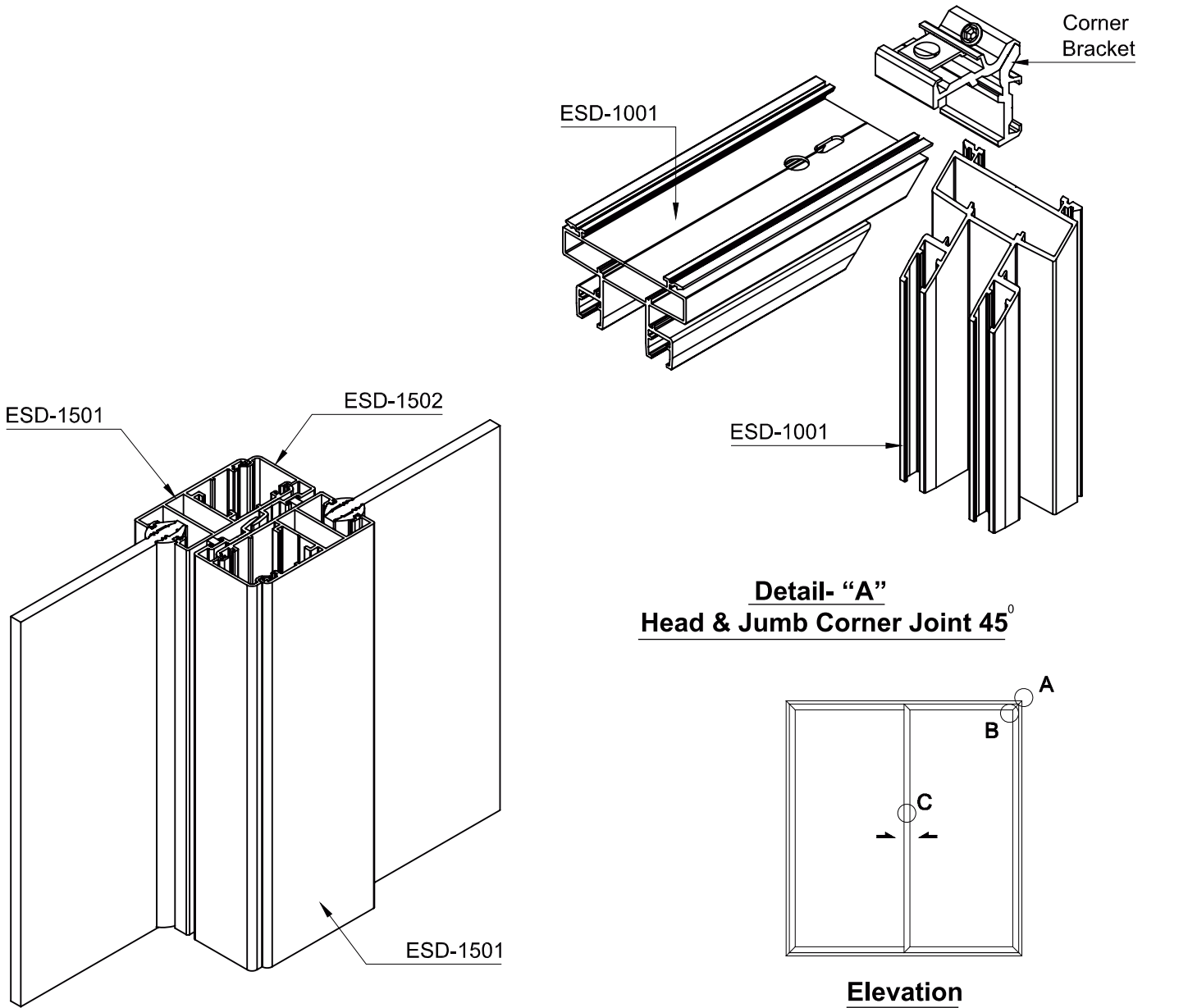


SECTION NO. - ECA-26
EST. WEIGHT - 1.414 KG./M.

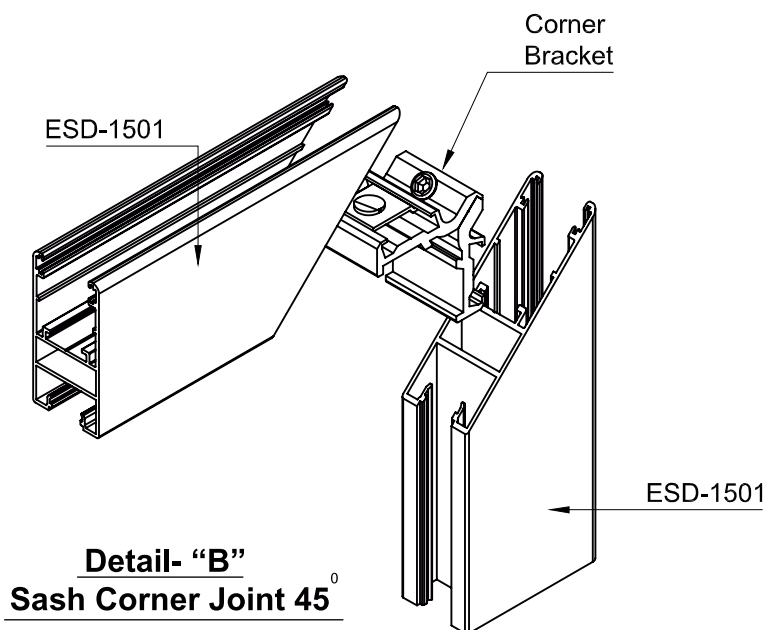
----- : Significant Surface
..... : Insignificant Surface

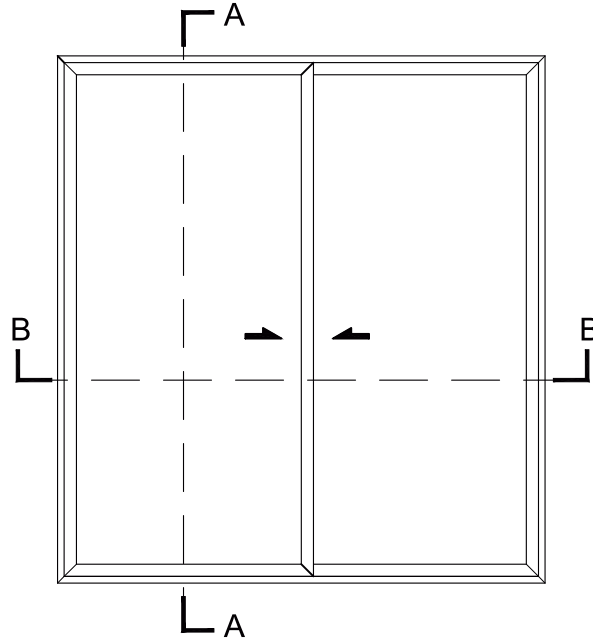
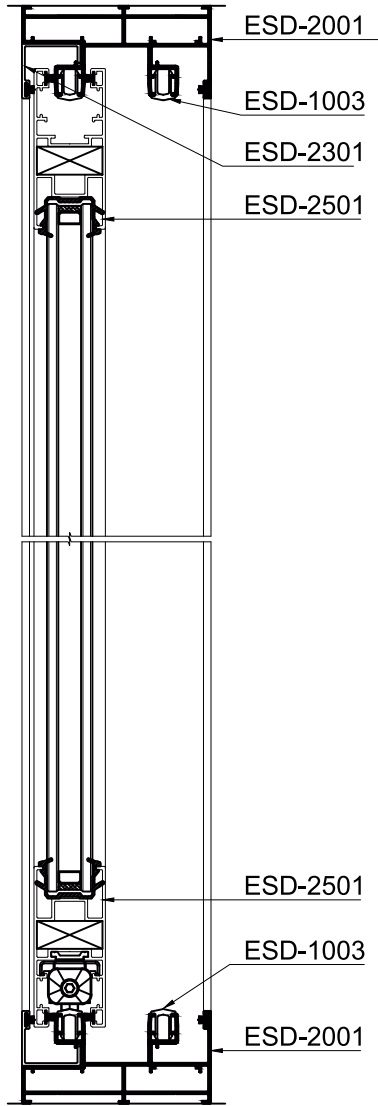
3D Assembly Detail Of 74mm Sliding

Group 04
Page 06



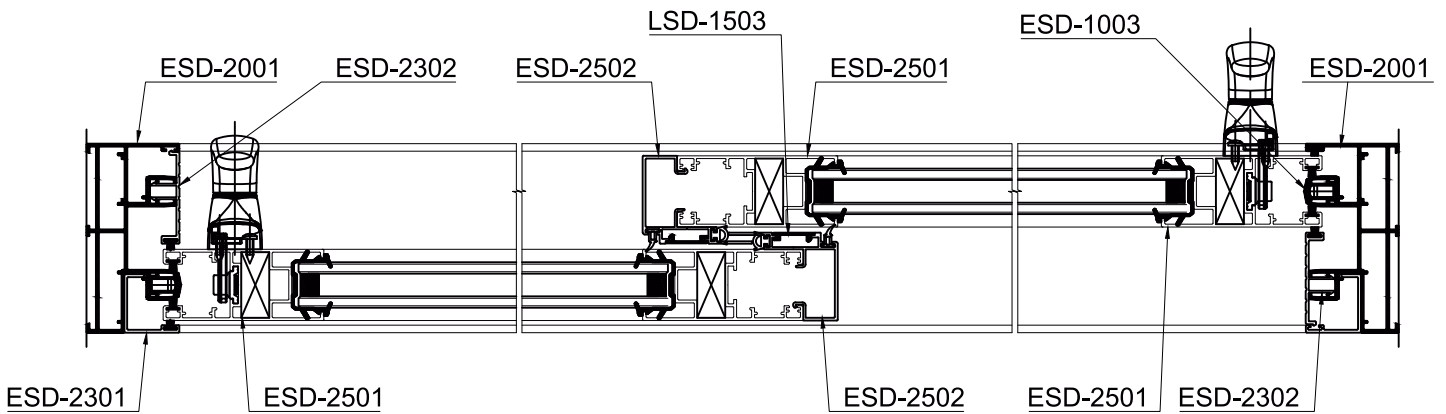
Detail- "C"
Sash Inter Lock





ELEVATION

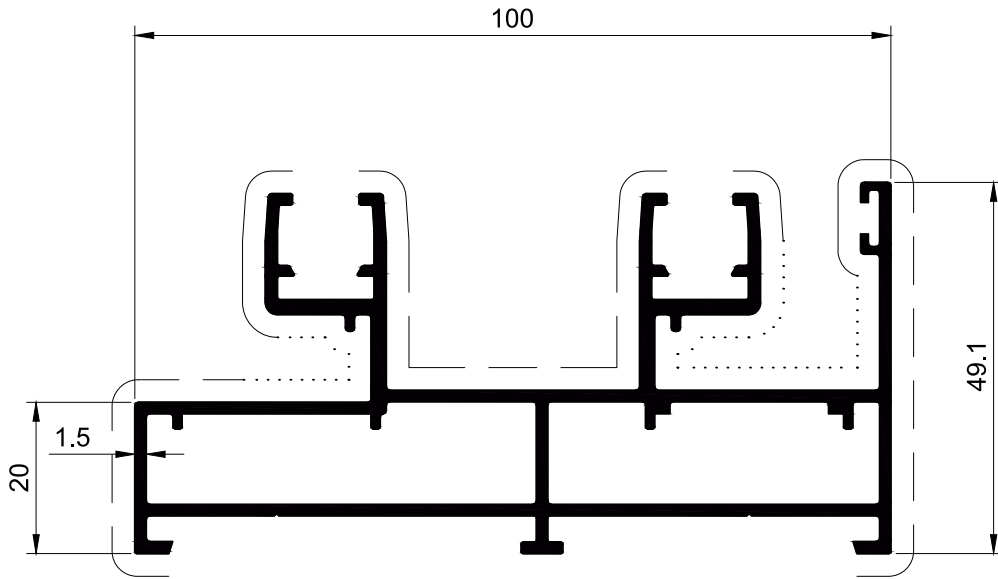
SECTION A-A



SECTION B-B

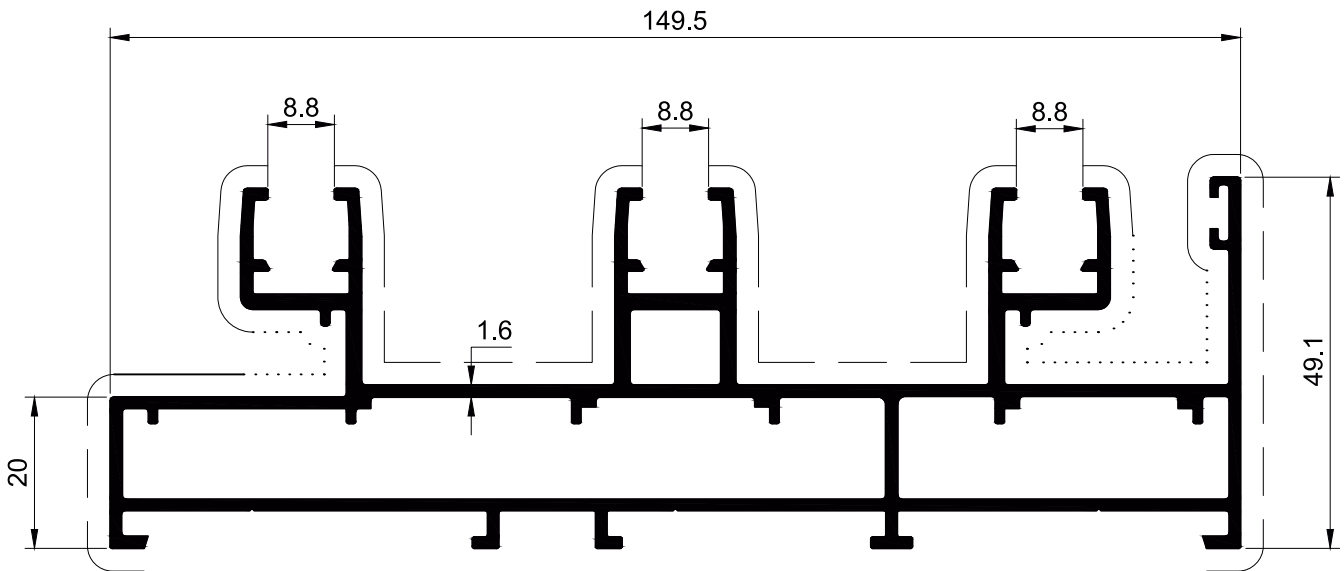
100mm 'C' Groove Sliding

Group 04
Page 08



SECTION NO - ESD-2001

EST. WEIGHT - 1.858 KG./M

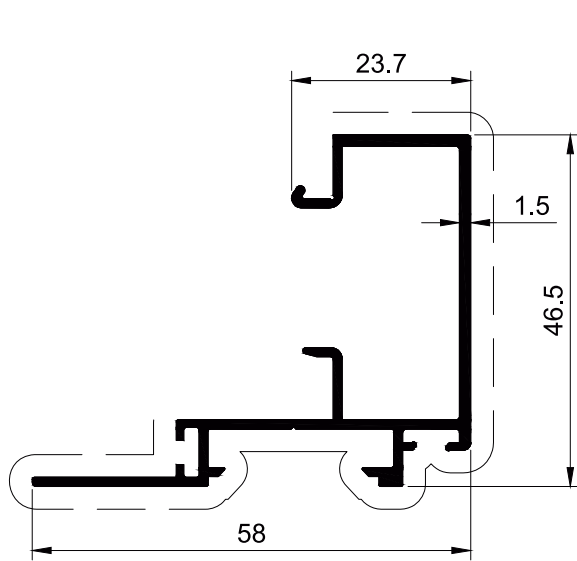


SECTION NO - ESD-2002

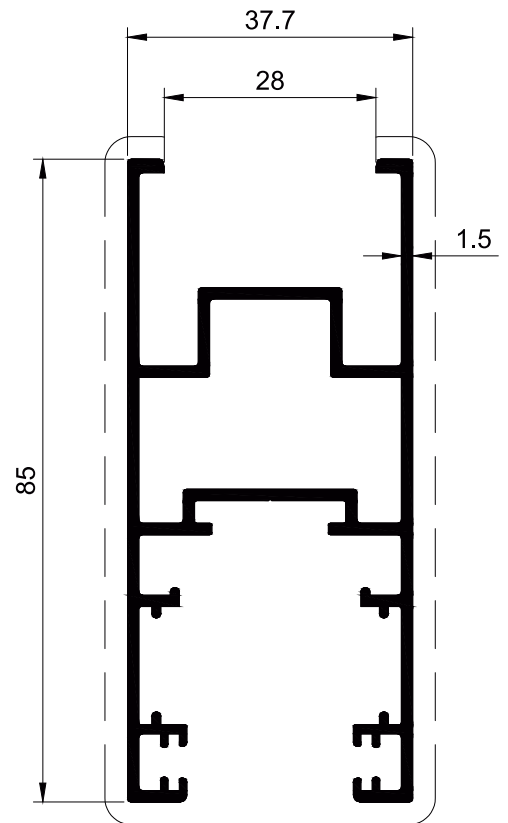
EST. WEIGHT - 2.725 KG./M

----- : Significant Surface
..... : Insignificant Surface

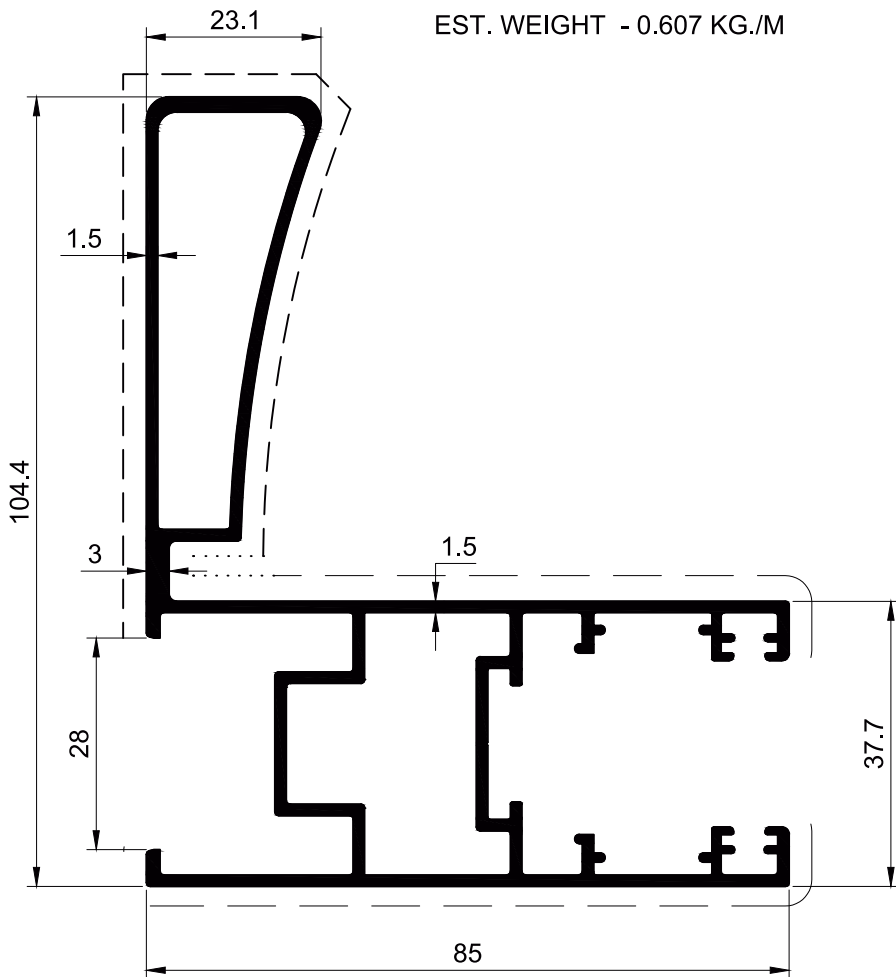
100mm 'C' Groove Sliding



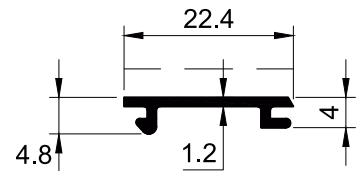
SECTION NO - ESD-2502
EST. WEIGHT - 0.607 KG./M



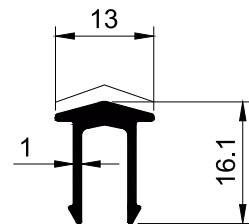
SECTION NO - ESD-2501
EST. WEIGHT - 1.336 KG./M



SECTION NO - ESD-2503
EST. WEIGHT - 2.029 KG./M



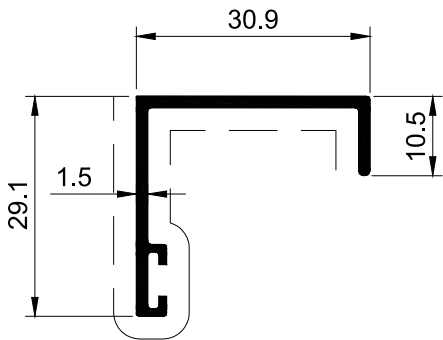
SECTION NO - LSD-1503
EST. WEIGHT - 0.106 KG./M



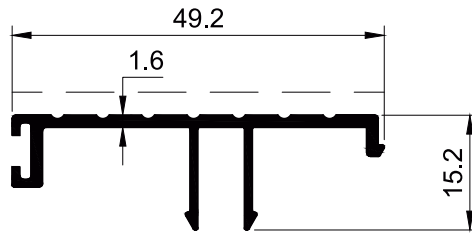
SECTION NO. - ESD-1003
EST. WEIGHT - 0.148 KG./M.

----- : Significant Surface
..... : Insignificant Surface

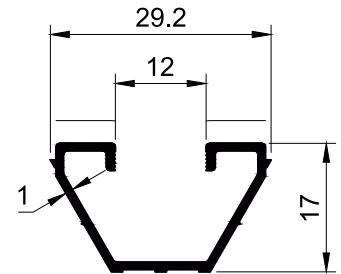
100mm 'C' Groove Sliding



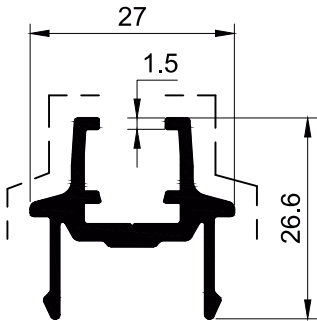
SECTION NO - ESD-2301
EST. WEIGHT - 0.295 KG./M



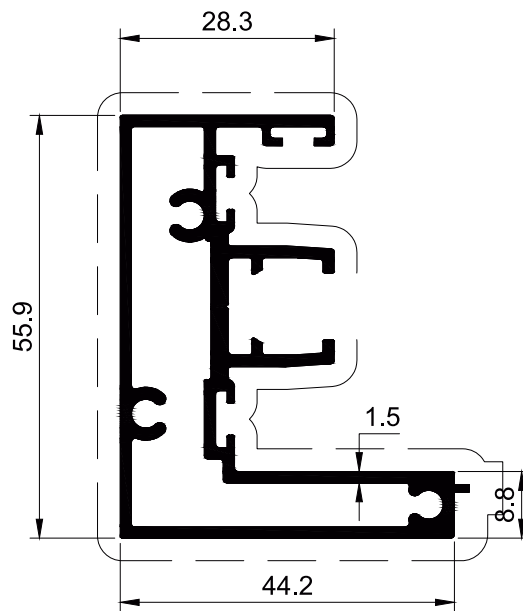
SECTION NO - ESD-2302
EST. WEIGHT - 0.334 KG./M



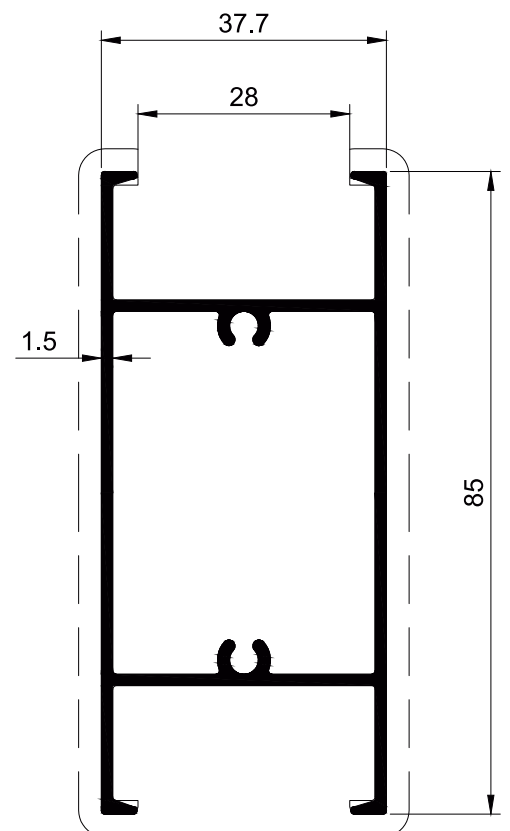
SECTION NO - ESD-2902
EST. WEIGHT - 0.191 KG./M



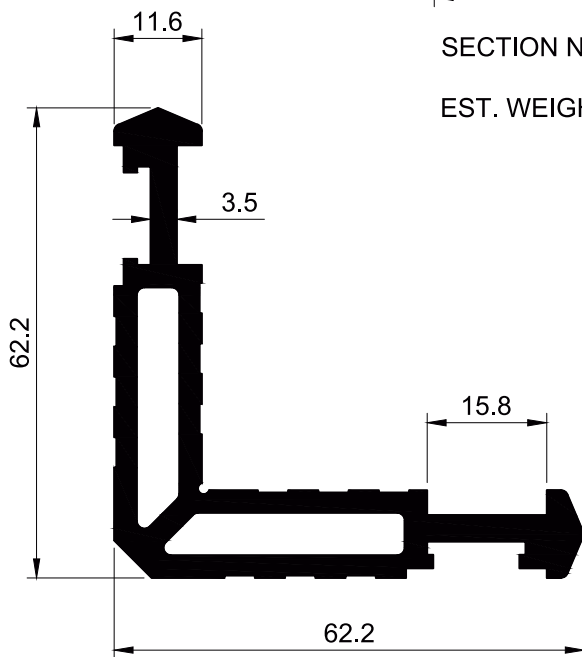
SECTION NO. - ESD-1901
EST. WEIGHT - 0.438 KG./M.



SECTION NO - ESD-2303
EST. WEIGHT - 1.233 KG./M



SECTION NO - ESD-2801
EST. WEIGHT - 1.119 KG./M

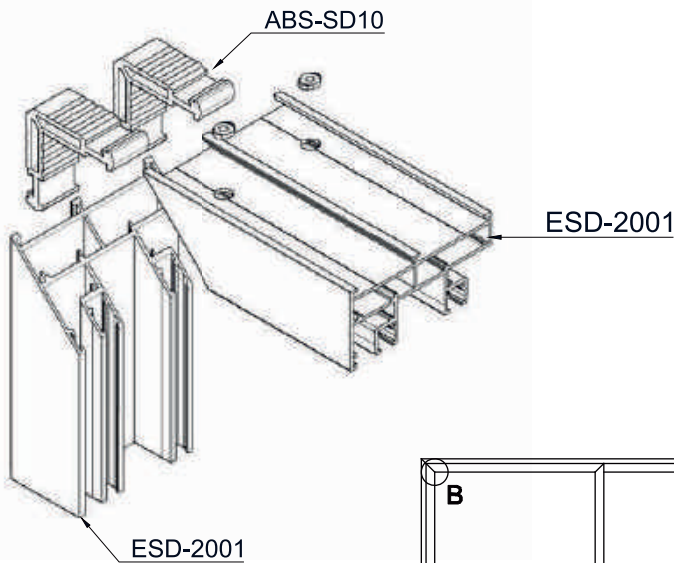


SECTION NO. - ABS-SD10
EST. WEIGHT - 1.825 KG./M.

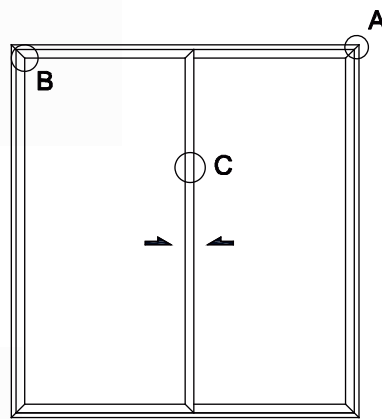
----- : Significant Surface
..... : Insignificant Surface

3D Assemble Detail Of 100mm 'C' Groove Sliding

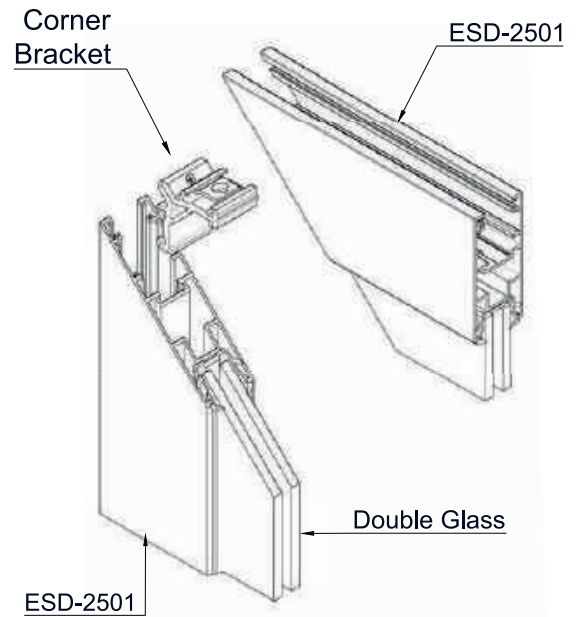
Group 04
Page 11



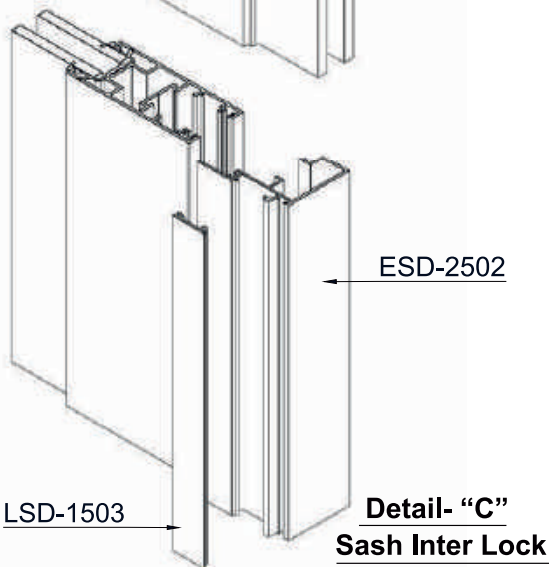
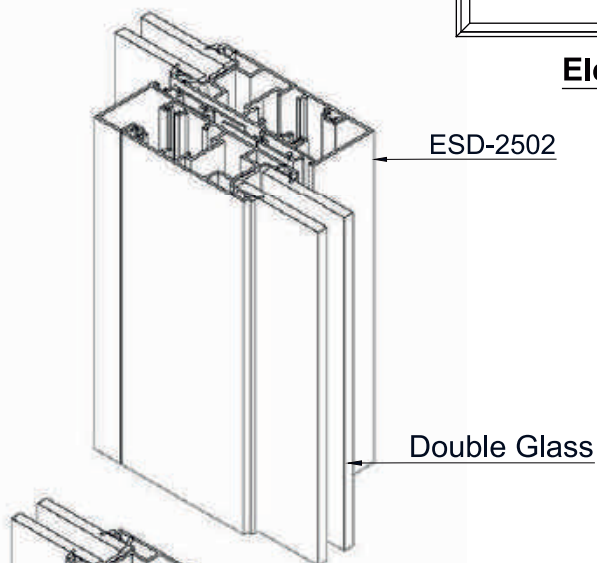
Detail- "A"
Head & Jamb Corner Joint 45°



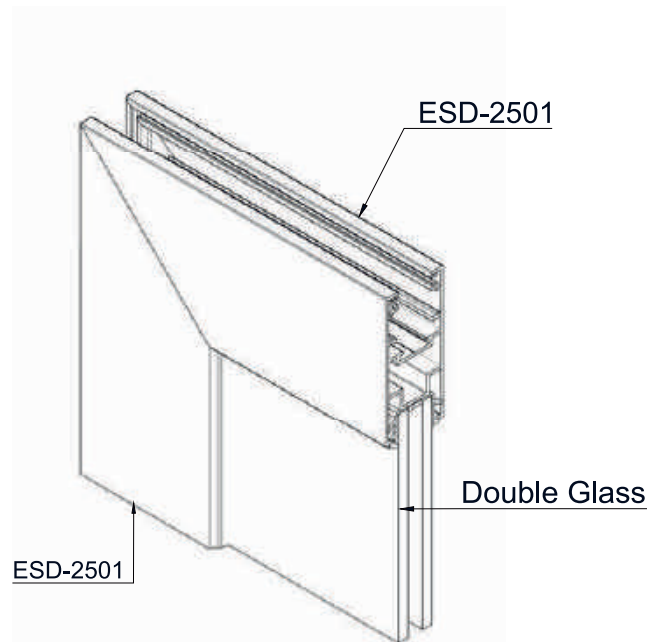
Elevation



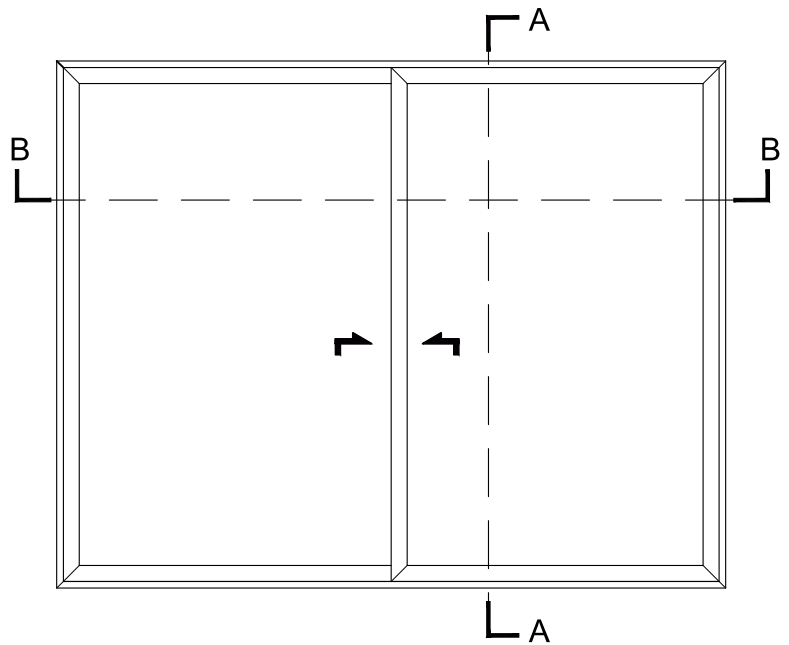
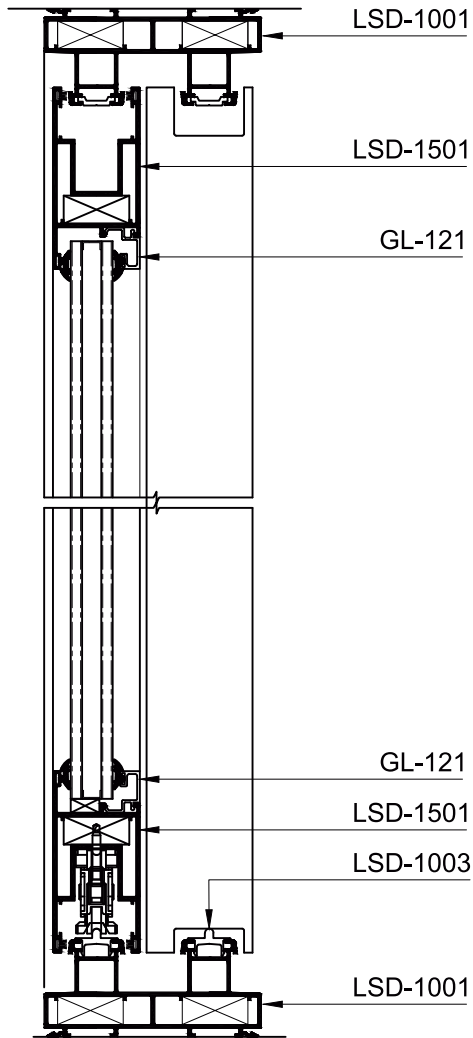
Detail- "B"
Sash Corner Joint 45°



Detail- "C"
Sash Inter Lock

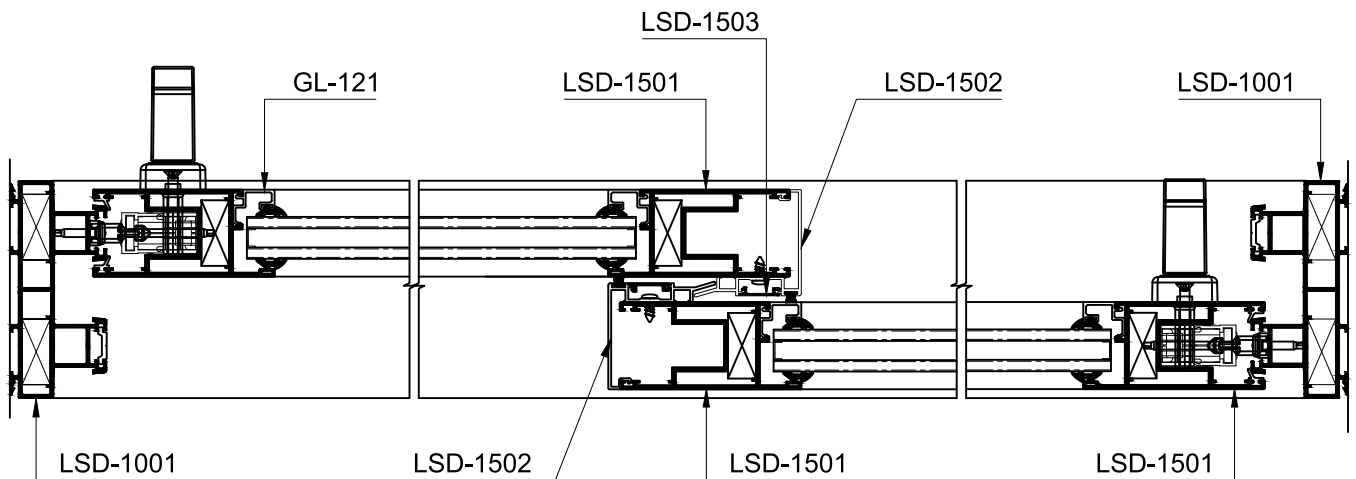


Detail- "B"
Sash Corner Joint 45°

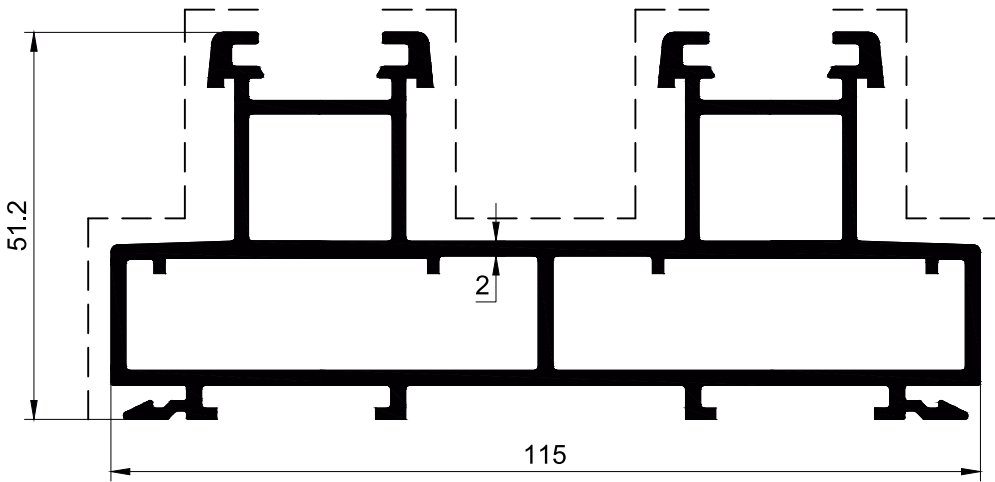


ELEVATION

SECTION :- A - A

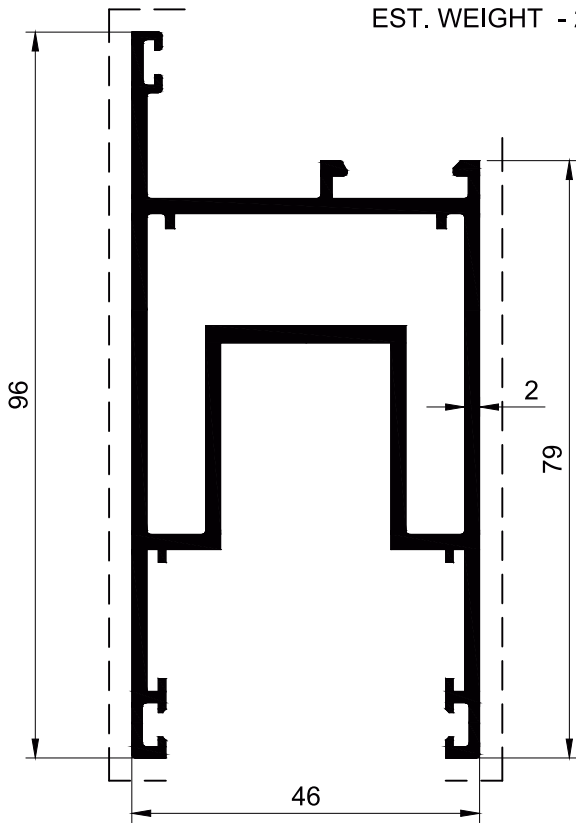


SECTION :- B - B



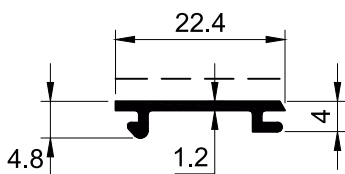
SECTION NO - LSD-1001

EST. WEIGHT - 2.701 KG./M



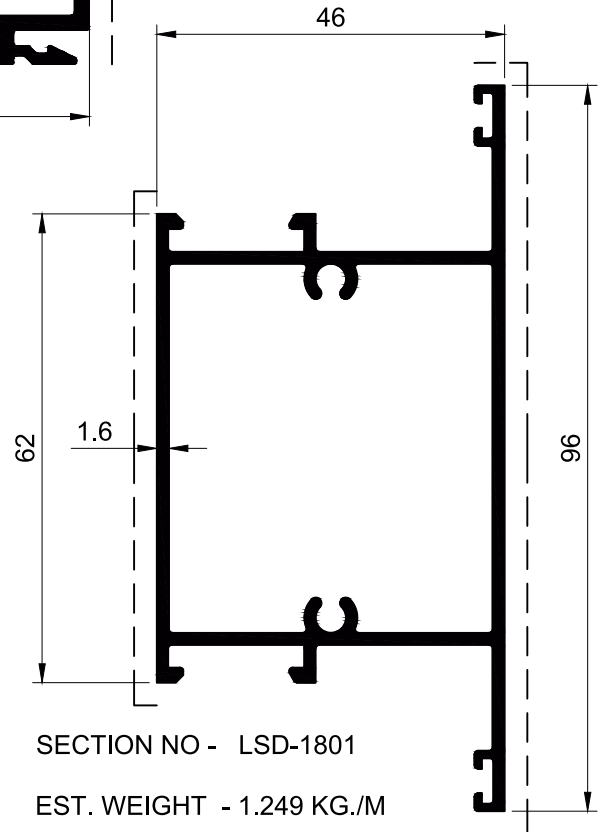
SECTION NO - LSD-1501

EST. WEIGHT - 1.825 KG./M



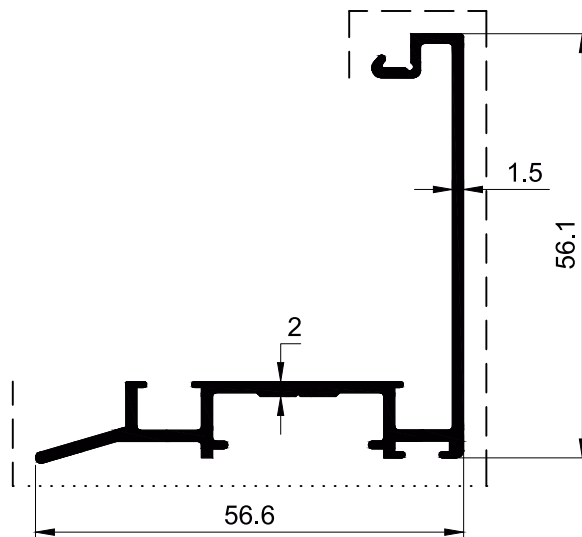
SECTION NO - LSD-1503

EST. WEIGHT - 0.106 KG./M



SECTION NO - LSD-1801

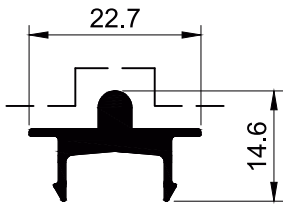
EST. WEIGHT - 1.249 KG./M



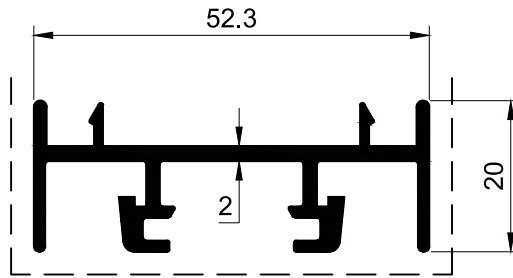
SECTION NO - LSD-1502

EST. WEIGHT - 0.644 KG./M

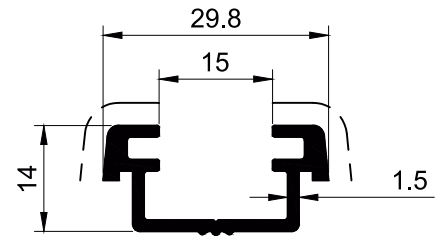
----- : Significant Surface
..... : Insignificant Surface



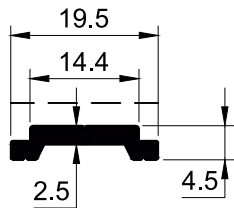
SECTION NO - LSD-1003
EST. WEIGHT - 0.245 KG./M



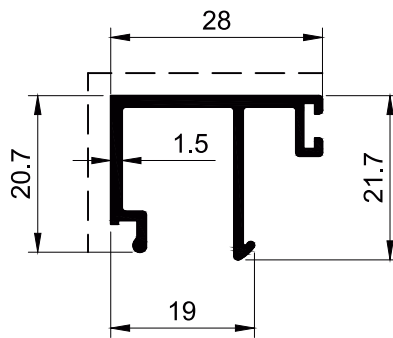
SECTION NO - LSD-1901
EST. WEIGHT - 0.691 KG./M



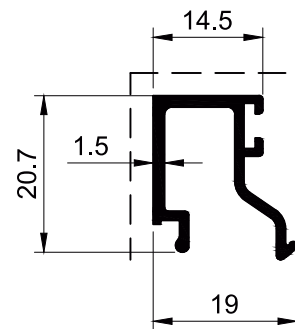
SECTION NO - LSD-1504
EST. WEIGHT - 0.314 KG./M



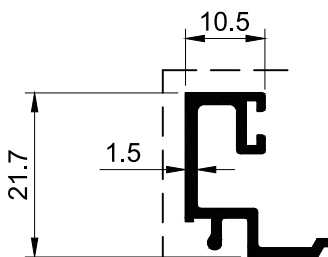
SECTION NO - ECA-08
EST. WEIGHT - 0.146 KG./M



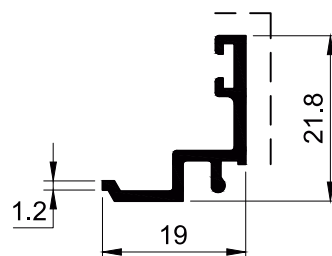
SECTION NO. - GL-116
EST. WEIGHT - 0.299 KG./M.
GLASS GAP - 12.5 MM



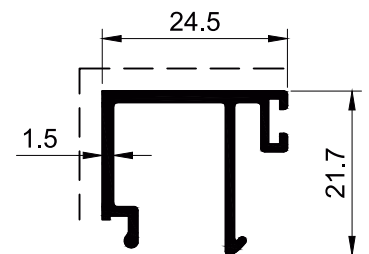
SECTION NO. - GL-118
EST. WEIGHT - 0.236 KG./M.
GLASS GAP - 26 MM



SECTION NO. - GL-121
EST. WEIGHT - 0.228 KG./M.
GLASS GAP - 30 MM

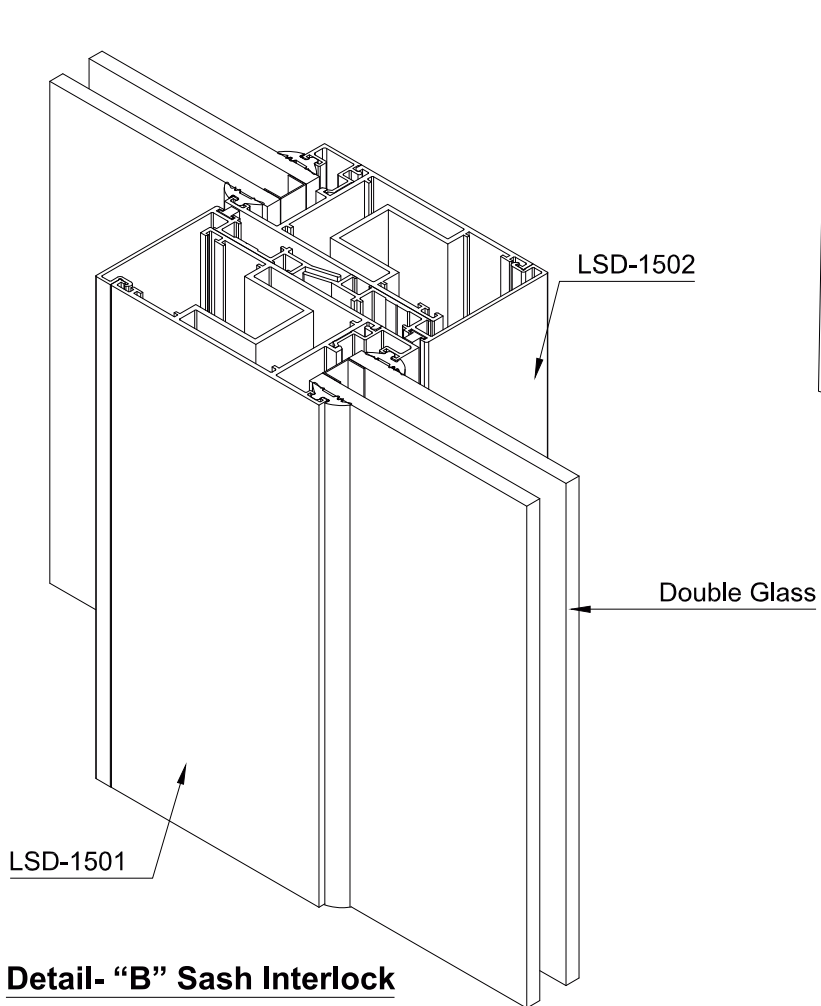


SECTION NO - GL-123
EST. WEIGHT - 0.187 KG./M
GLASS GAP - 38 MM

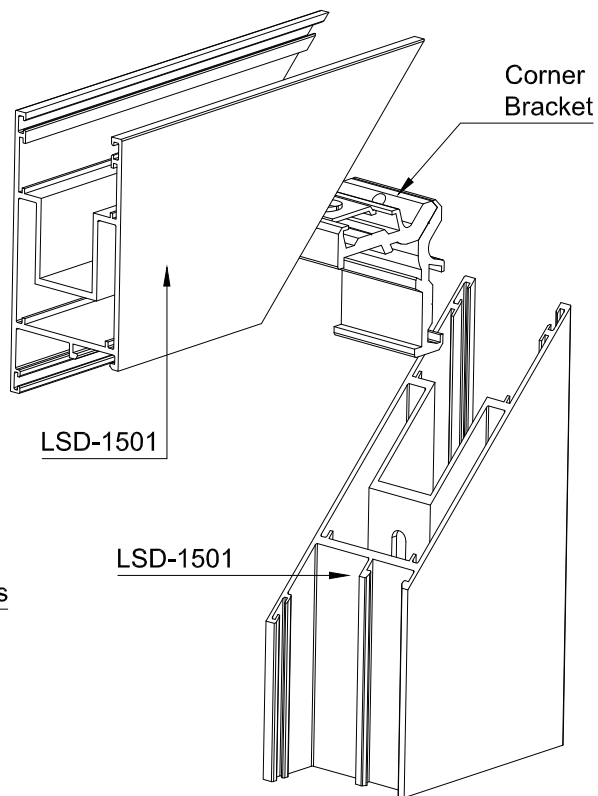


SECTION NO - GL-124
EST. WEIGHT - 0.285 KG./M
GLASS GAP - 17.5 MM

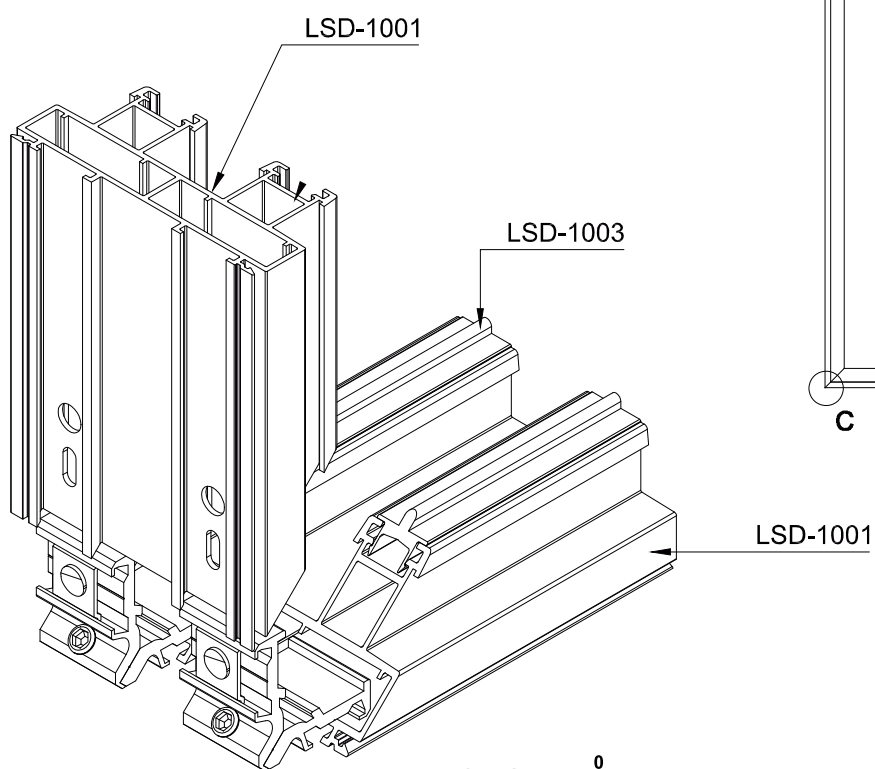
----- : Significant Surface
..... : Insignificant Surface



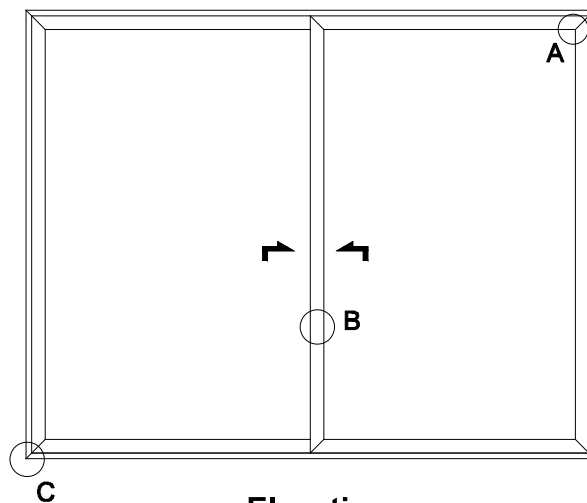
Detail- "B" Sash Interlock



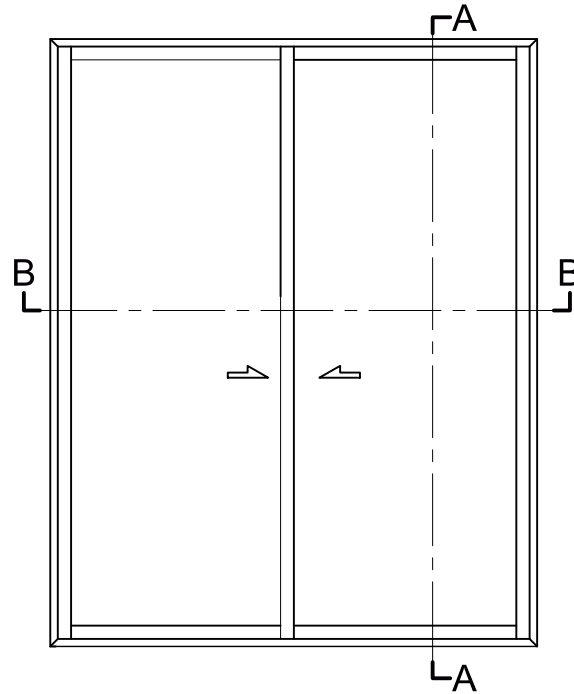
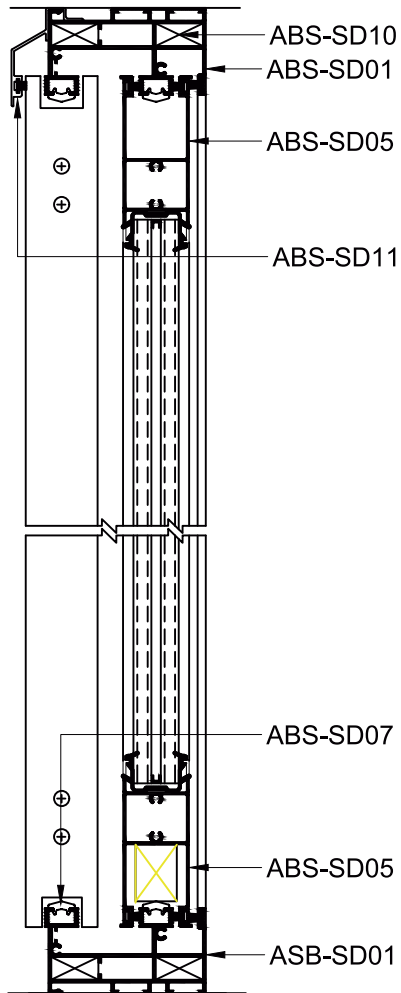
Detail- "A" Sash 45° Joint



Detail- "C" Sill 45° Joint

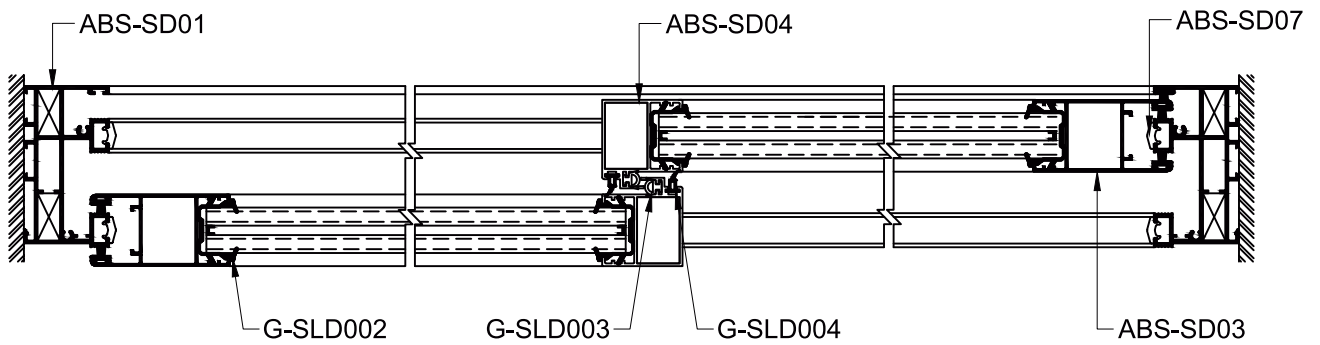


Elevation



ELEVATION

Section :- A - A

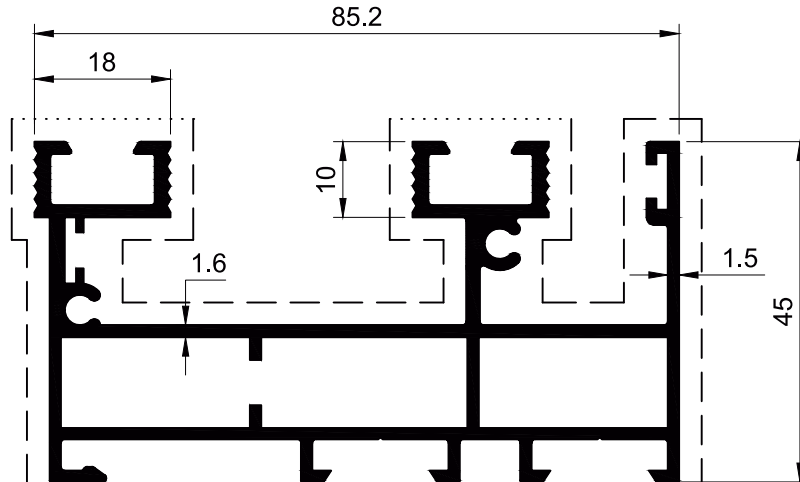


Section :- B - B

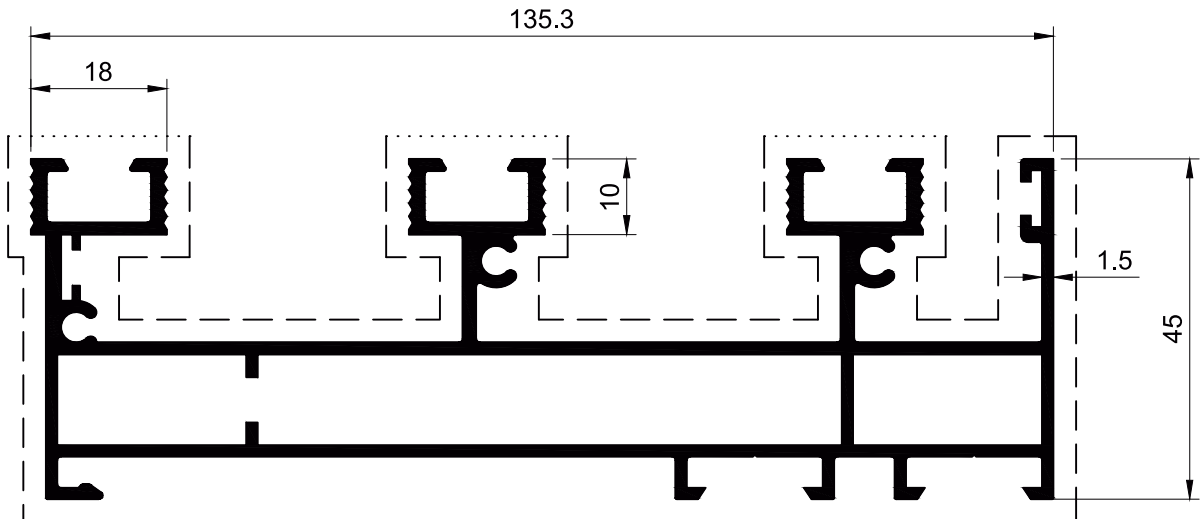
PERFORMANCE TESTS WERE CONDUCTED IN A UKAS ACCREDITED LAB

ABS Sliding

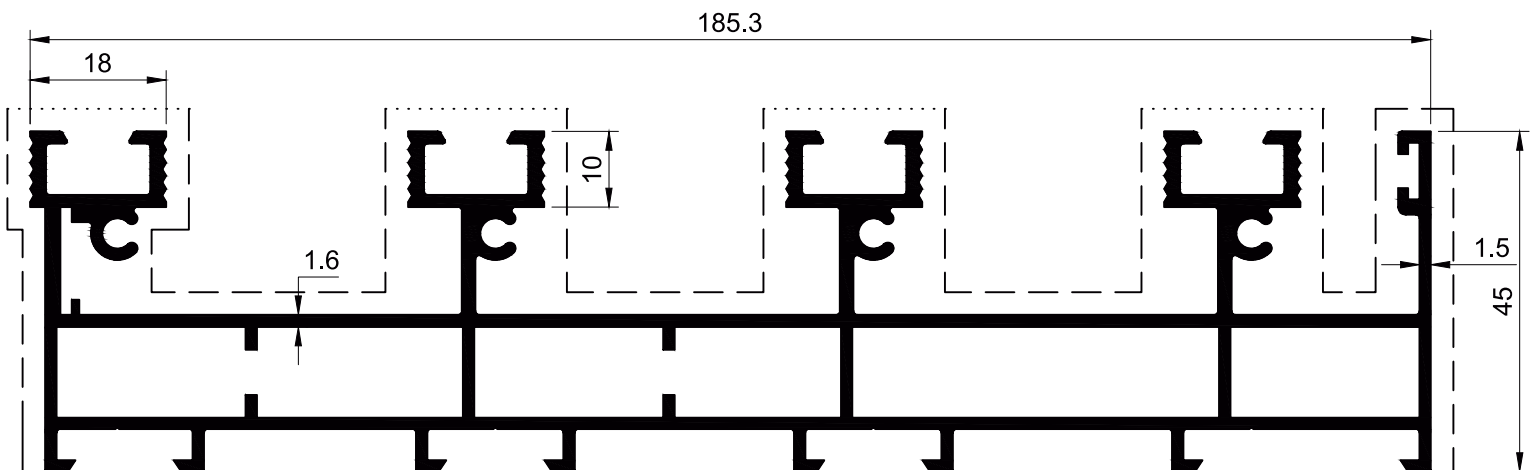
Group 06
Page 02



SECTION NO. - ABS-SD01
EST. WEIGHT - 1.779 KG./M.



SECTION NO. - ABS-SD02
EST. WEIGHT - 2.506 KG./M.

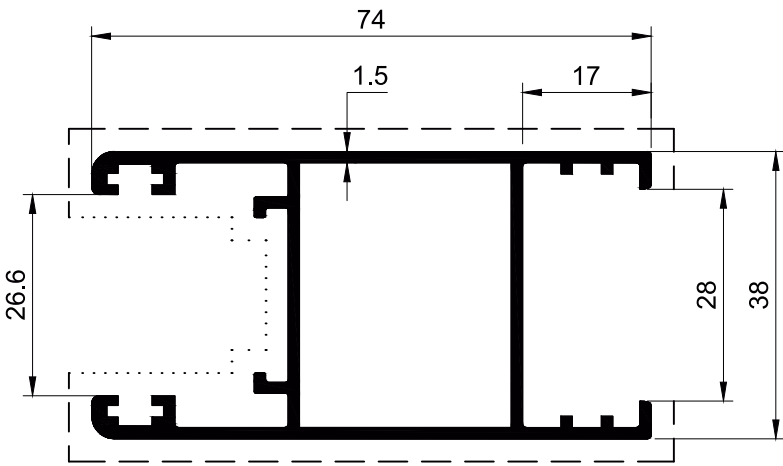


SECTION NO. - ABS-SD12
EST. WEIGHT - 3.476 KG./M.

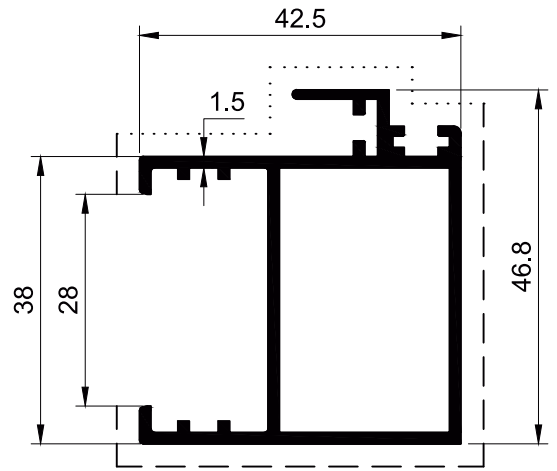
----- : Significant Surface
..... : Insignificant Surface

ABS Sliding

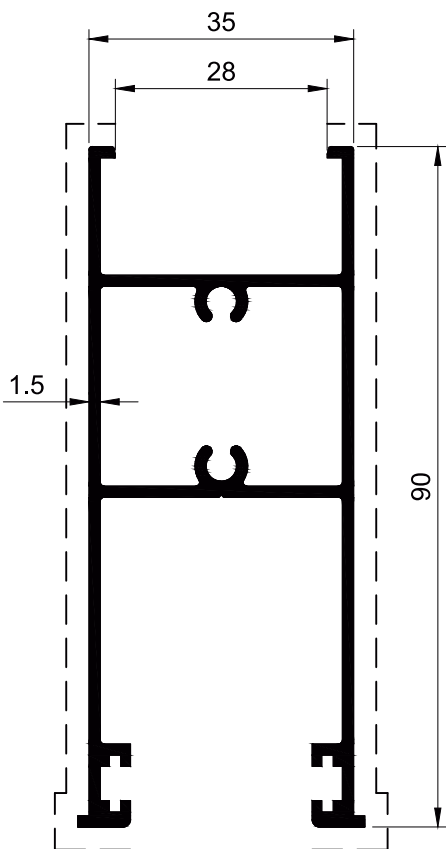
Group 06
Page 03



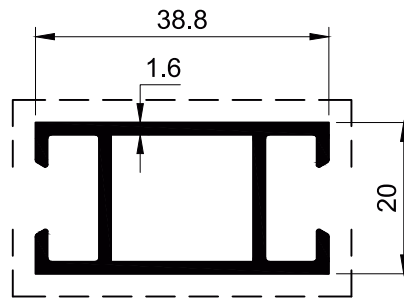
SECTION NO. - ABS-SD03
EST. WEIGHT - 1.099 KG./M.



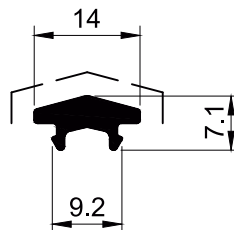
SECTION NO. - ABS-SD04
EST. WEIGHT - 0.809 KG./M.



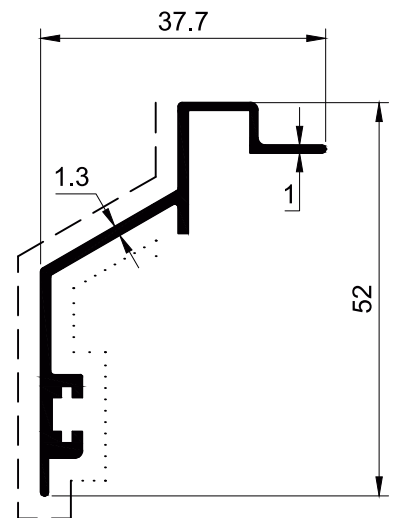
SECTION NO. - ABS-SD05
EST. WEIGHT - 1.224 KG./M.



SECTION NO. - ABS-SD06
EST. WEIGHT - 0.550 KG./M.



SECTION NO. - ABS-SD07
EST. WEIGHT - 0.138 KG./M.

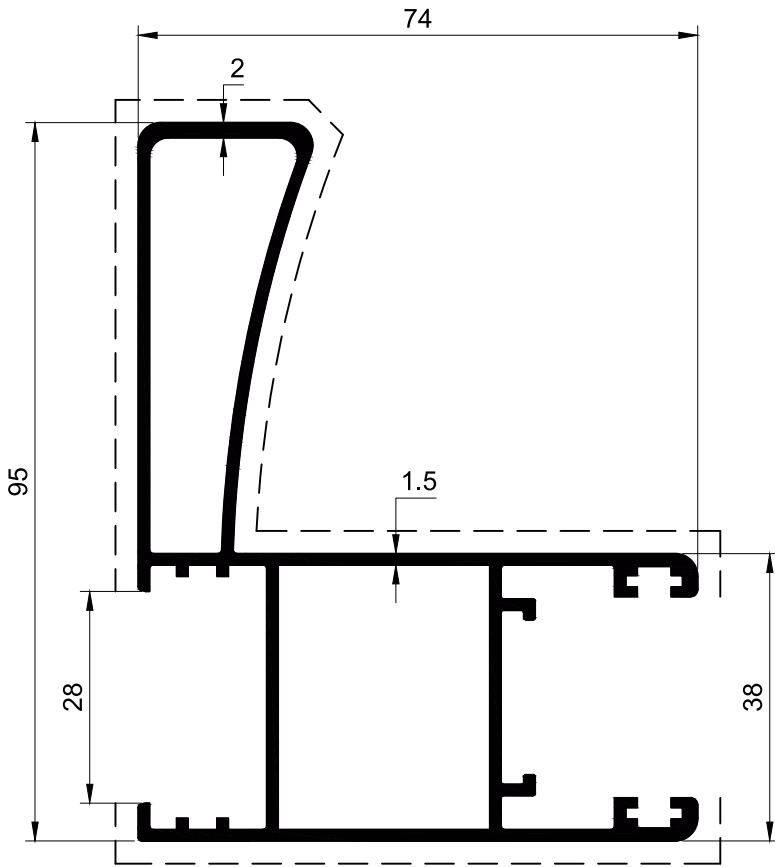


SECTION NO. - ABS-SD11
EST. WEIGHT - 0.359 KG./M.

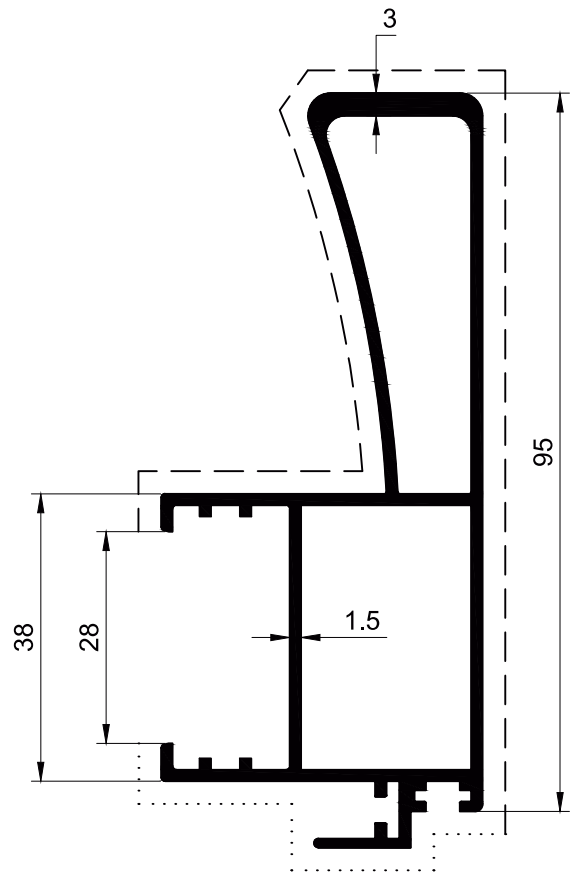
----- : Significant Surface
..... : Insignificant Surface

ABS Sliding

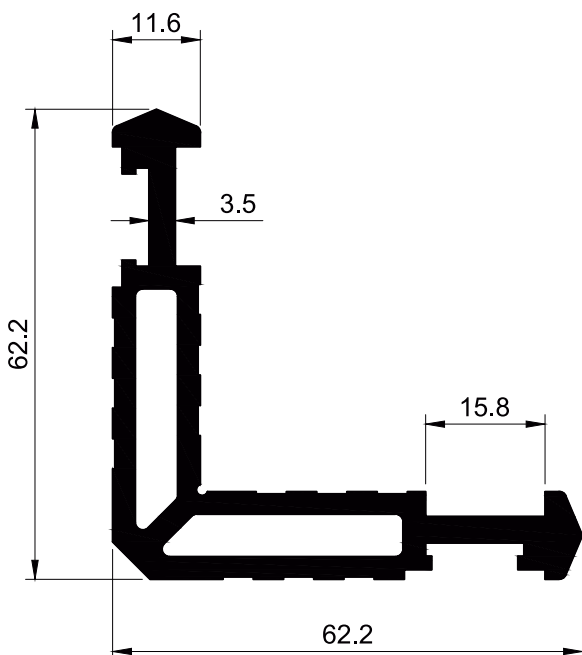
Group 06
Page 04



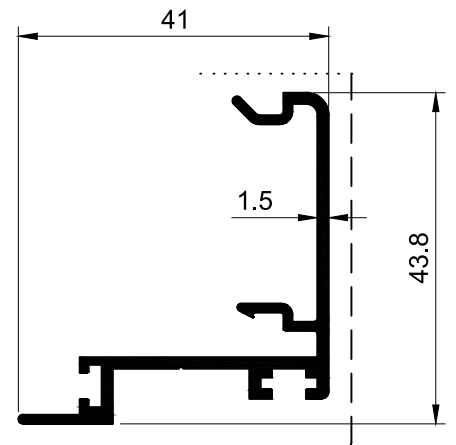
SECTION NO. - ABS-SD08
EST. WEIGHT - 1.669 KG./M.



SECTION NO. - ABS-SD09
EST. WEIGHT - 1.403 KG./M.

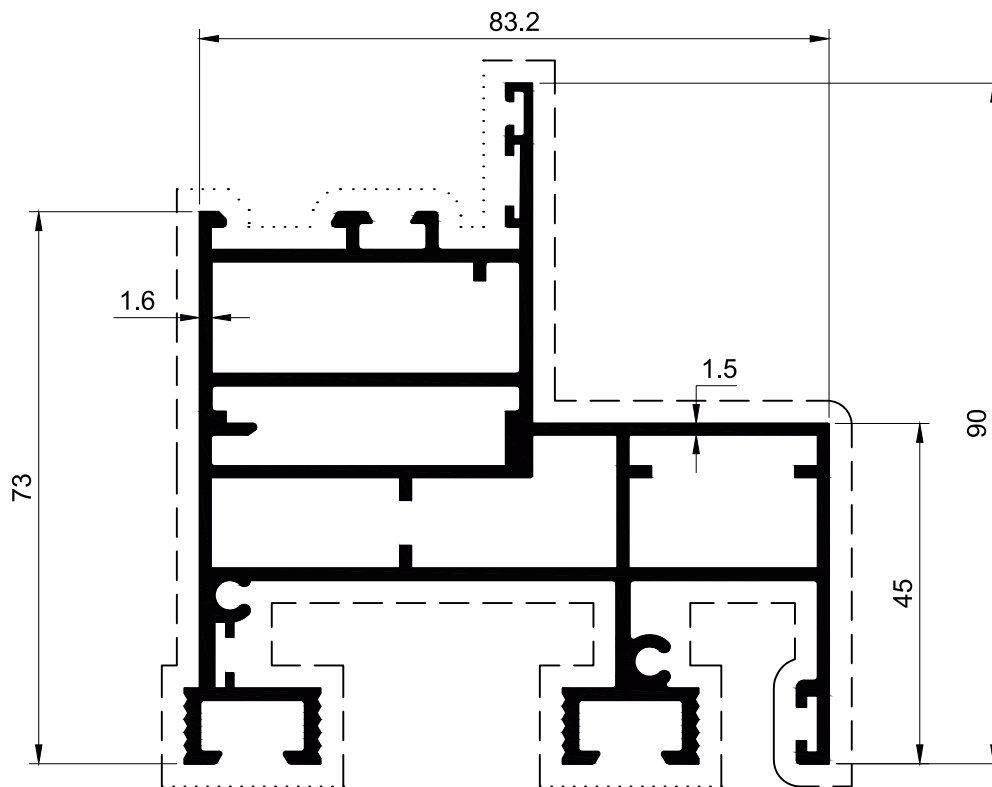


SECTION NO. - ABS-SD10
EST. WEIGHT - 1.825 KG./M.

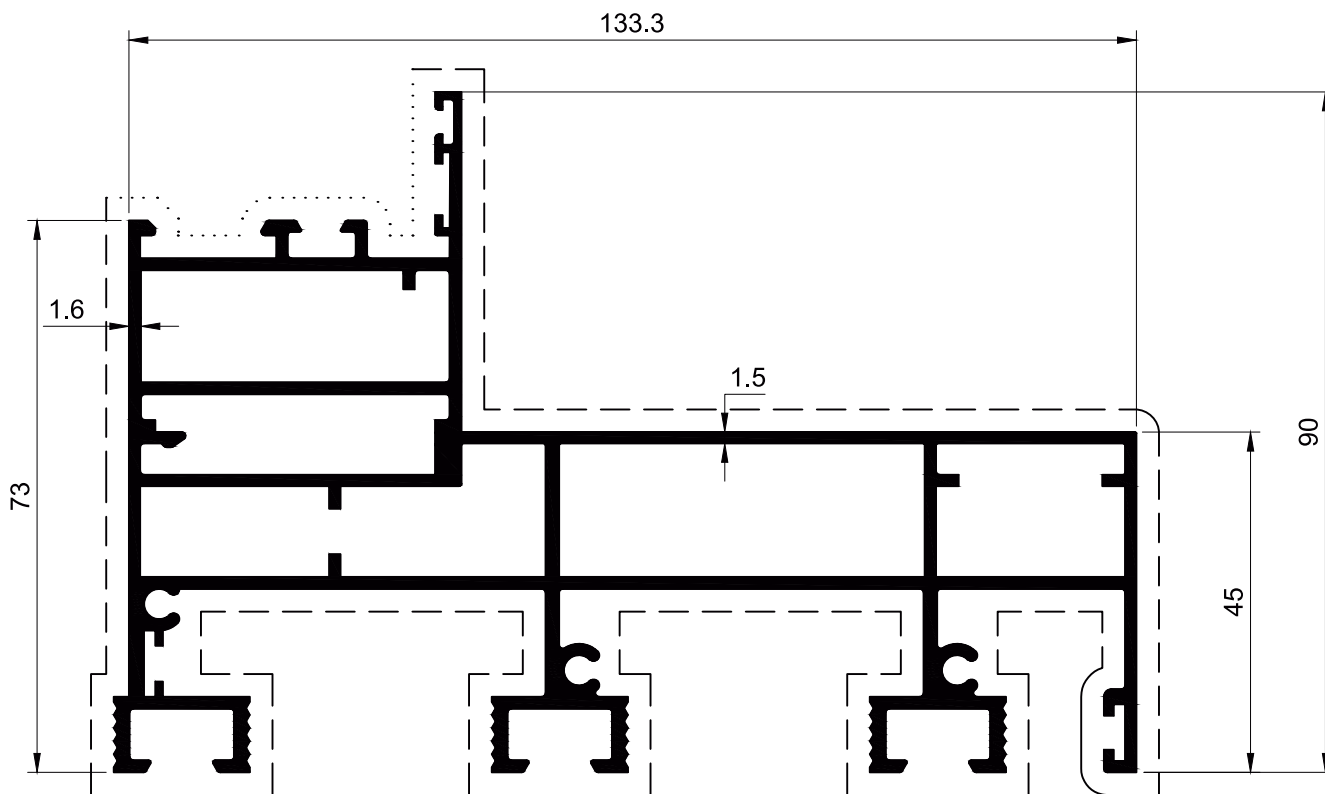


SECTION NO. - ABS-SD15
EST. WEIGHT - 0.490 KG./M.

----- : Significant Surface
..... : Insignificant Surface



SECTION NO. - ABS-SD13
EST. WEIGHT - 2.563 KG./M.

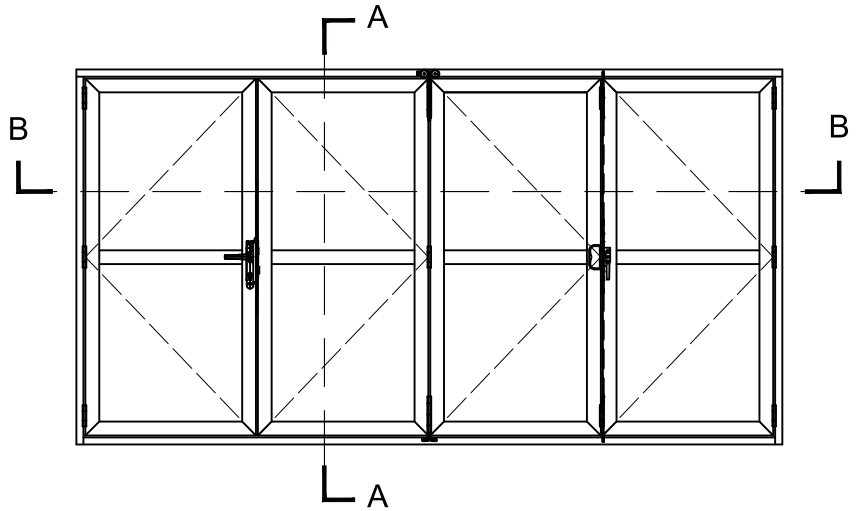
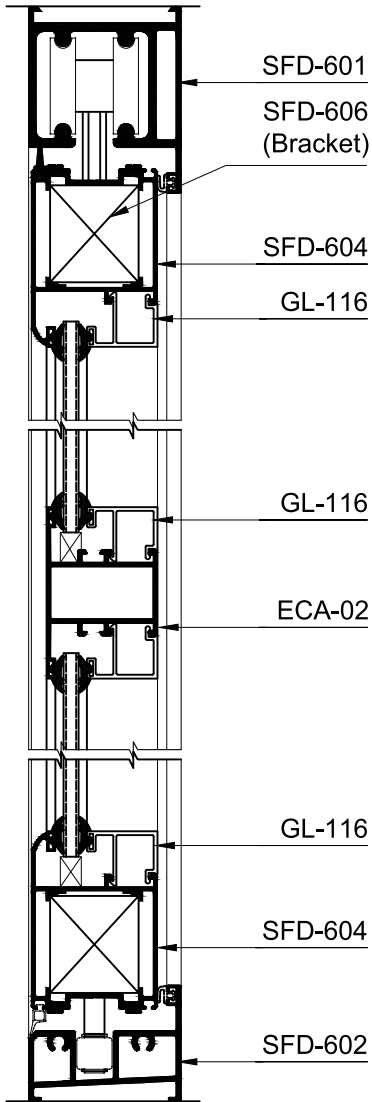


SECTION NO. - ABS-SD14
EST. WEIGHT - 3.377 KG./M.

----- : Significant Surface
..... : Insignificant Surface

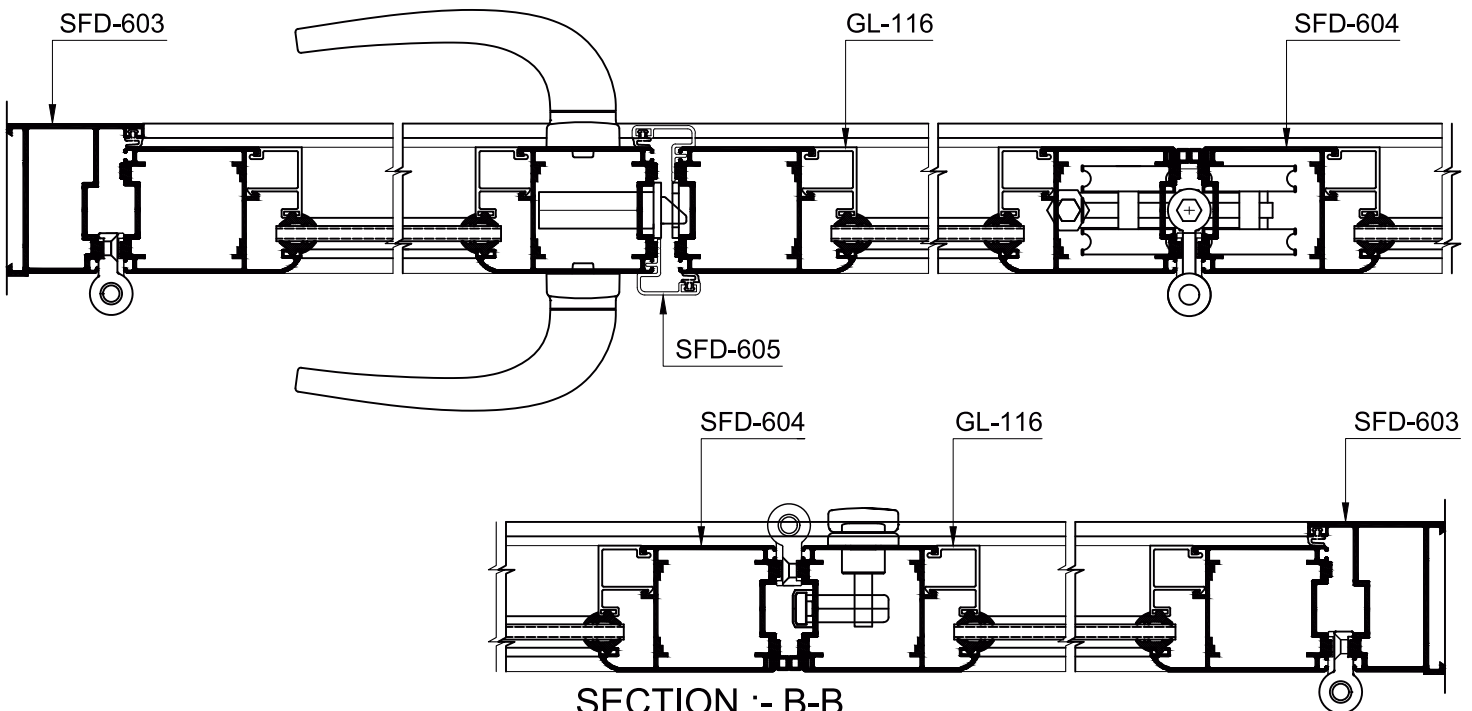
Sliding - Folding Door

Group 07
Page 01



ELEVATION

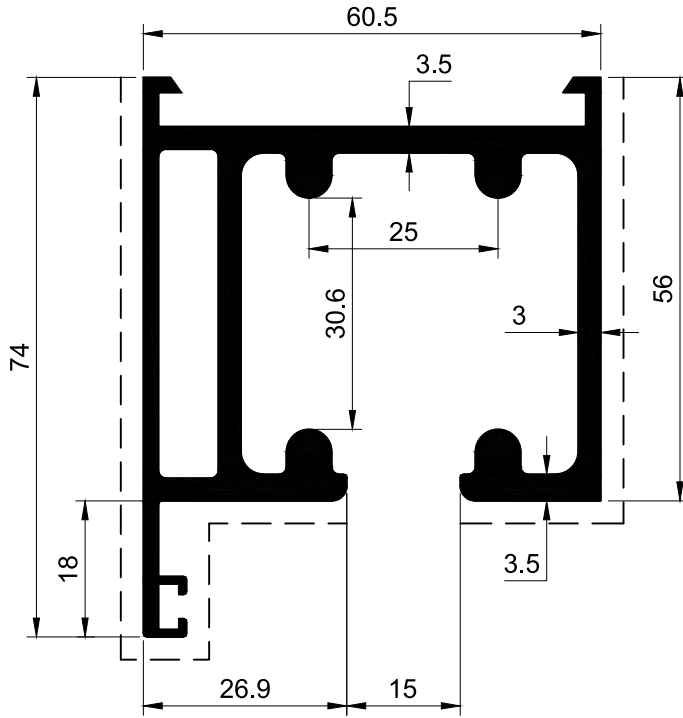
SECTION :- A-A



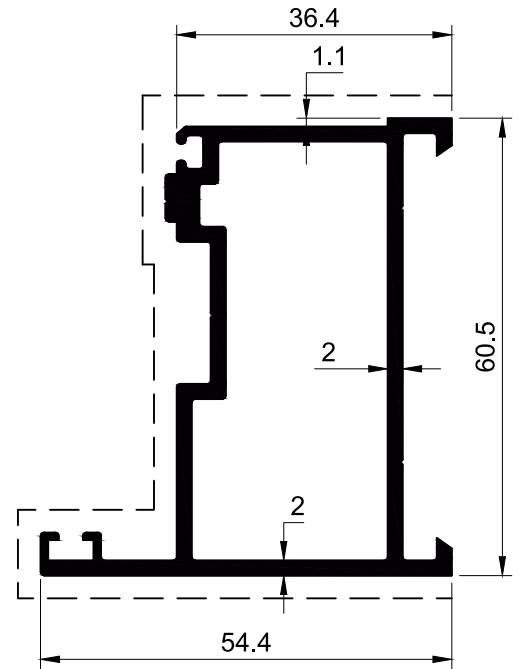
SECTION :- B-B

Sliding - Folding Door

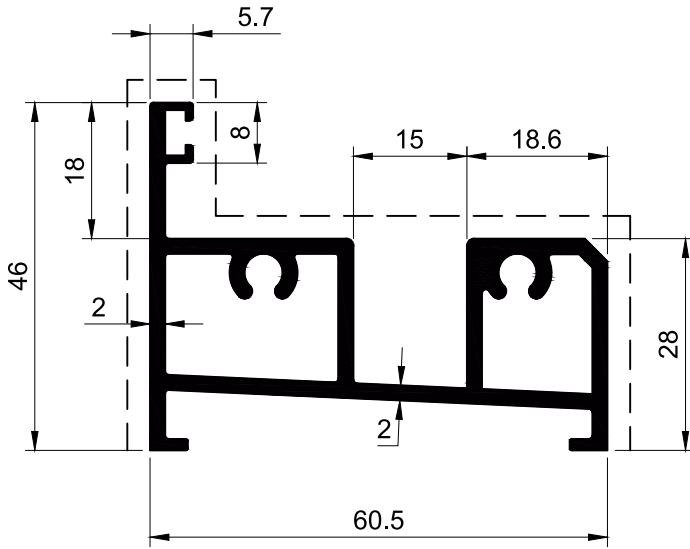
Group 07
Page 02



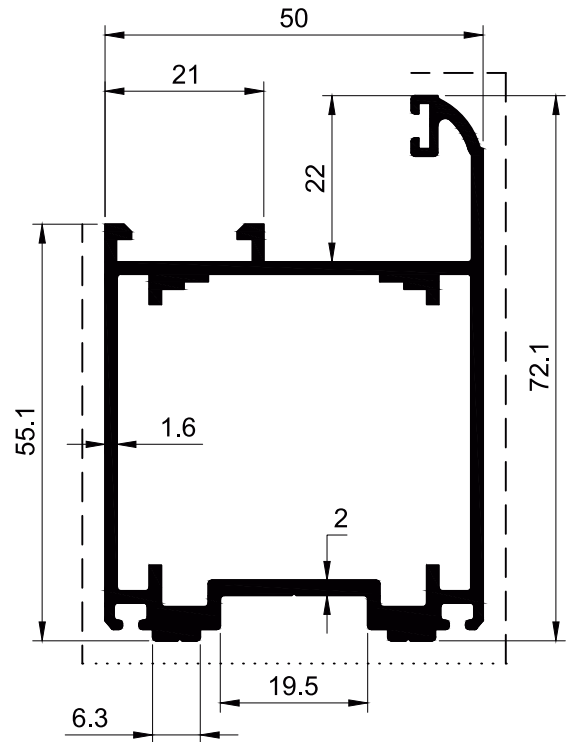
SECTION NO. - SFD-601
EST. WEIGHT - 2.484 KG./M.



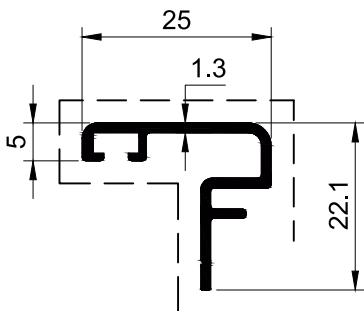
SECTION NO. - SFD-603
EST. WEIGHT - 1.253 KG./M.



SECTION NO. - SFD-602
EST. WEIGHT - 1.306 KG./M.



SECTION NO. - SFD-604
EST. WEIGHT - 1.334 KG./M.

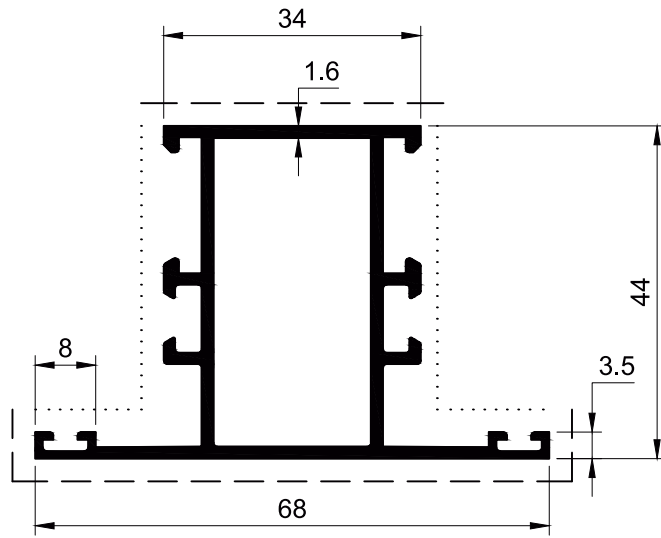


SECTION NO. - SFD-605
EST. WEIGHT - 0.229 KG./M.

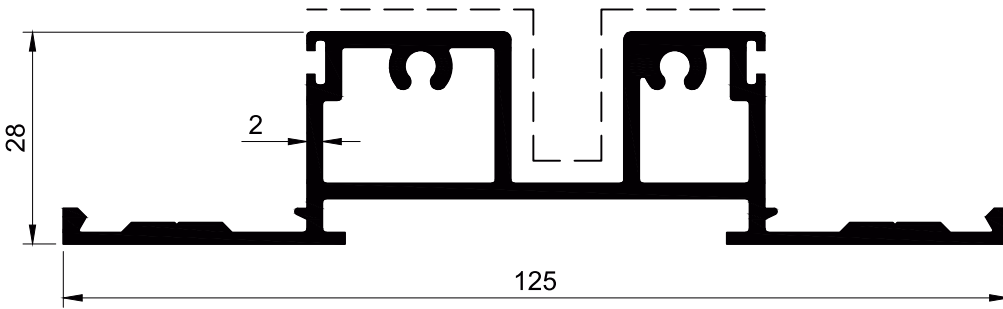
----- : Significant Surface
..... : Insignificant Surface

Sliding - Folding Door

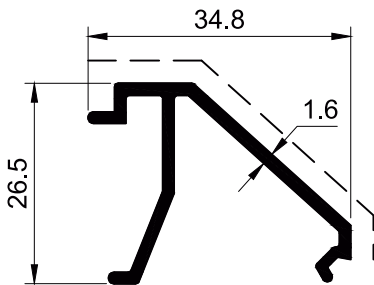
Group 07
Page 03



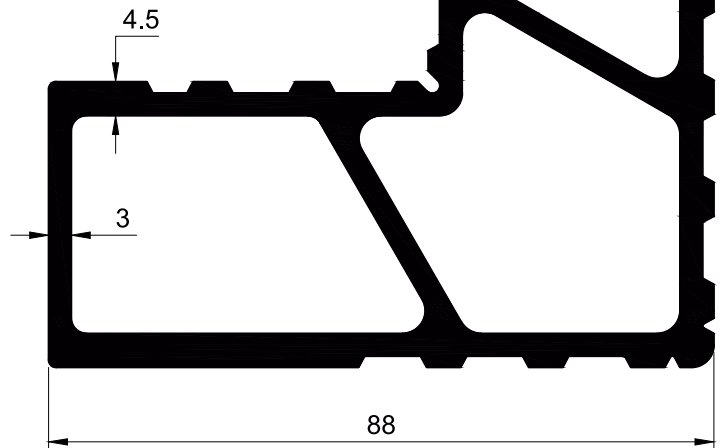
SECTION NO. - ECA-02
EST. WEIGHT - 0.948 KG./M.



SECTION NO. - SFD-608
EST. WEIGHT - 1.627 KG./M.



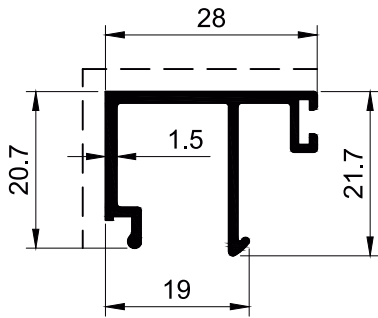
SECTION NO. - GL-122
EST. WEIGHT - 0.340 KG./M



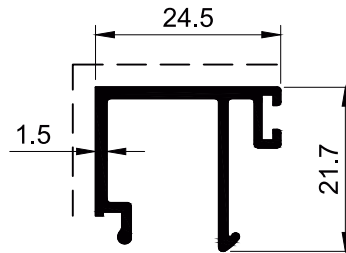
SECTION NO. - SFD-606
EST. WEIGHT - 4.040 KG./M.

----- : Significant Surface
..... : Insignificant Surface

Single Glazing

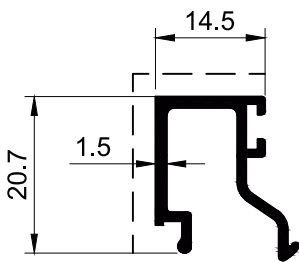


SECTION NO. - GL-116
EST. WEIGHT - 0.299 KG./M.
GLASS GAP - 12.5 MM

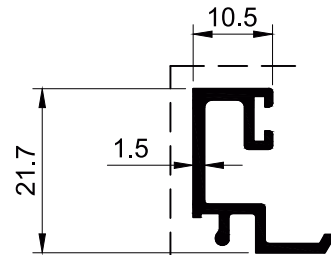


SECTION NO - GL-124
EST. WEIGHT - 0.285 KG./M
GLASS GAP - 16 MM

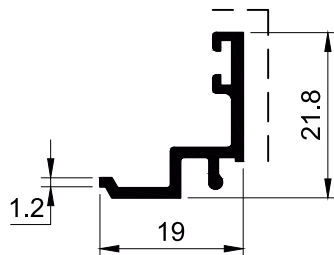
Double Glazing



SECTION NO. - GL-118
EST. WEIGHT - 0.236 KG./M.
GLASS GAP - 26 MM



SECTION NO. - GL-121
EST. WEIGHT - 0.228 KG./M.
GLASS GAP - 30 MM

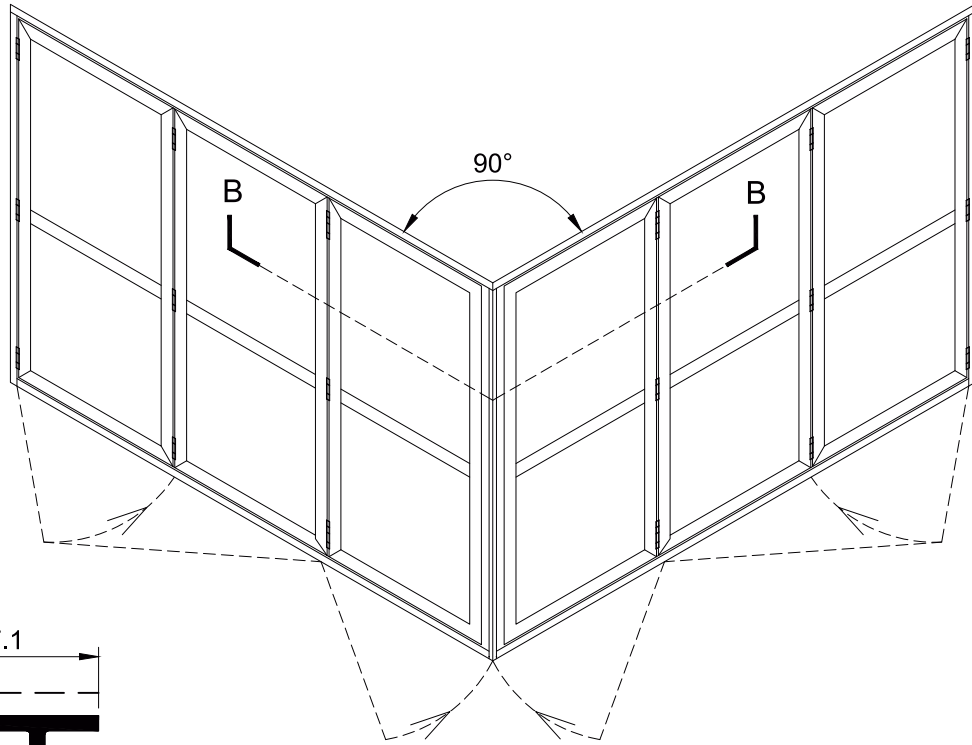


SECTION NO - GL-123
EST. WEIGHT - 0.187 KG./M
GLASS GAP - 36.5 MM

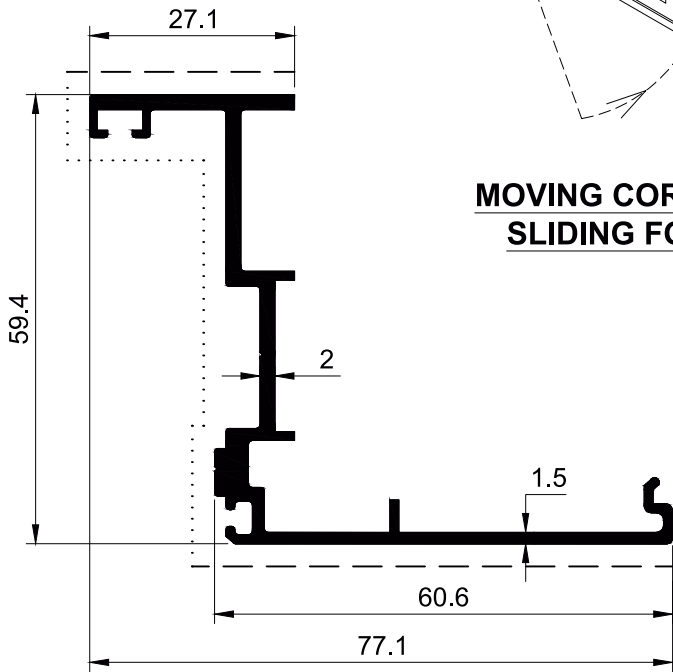
----- : Significant Surface
..... : Insignificant Surface

Sliding - Folding Door

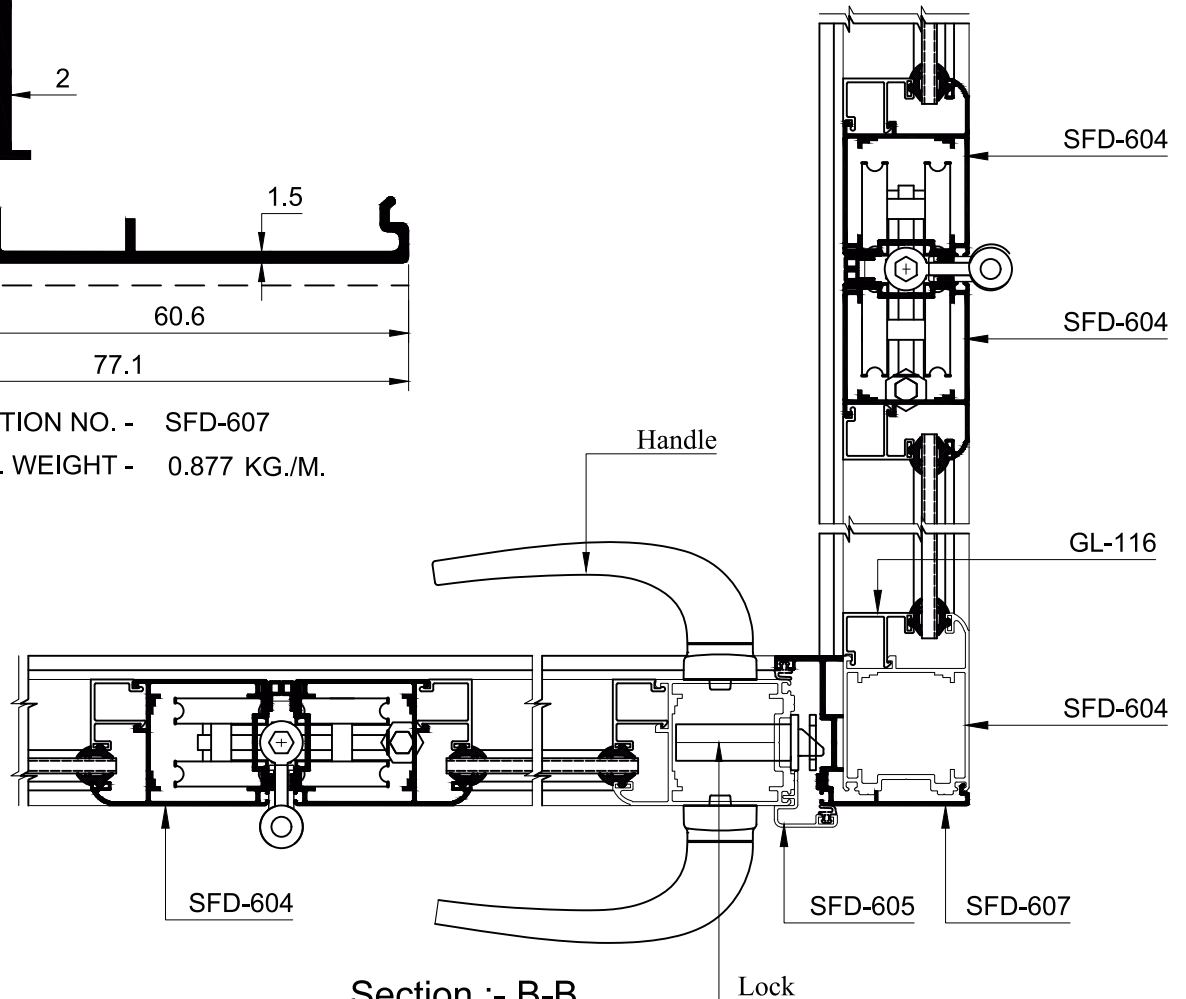
Group 07
Page 05



**MOVING CORNER POST (90°)
SLIDING FOLDING DOOR**



SECTION NO. - SFD-607
EST. WEIGHT - 0.877 KG./M.

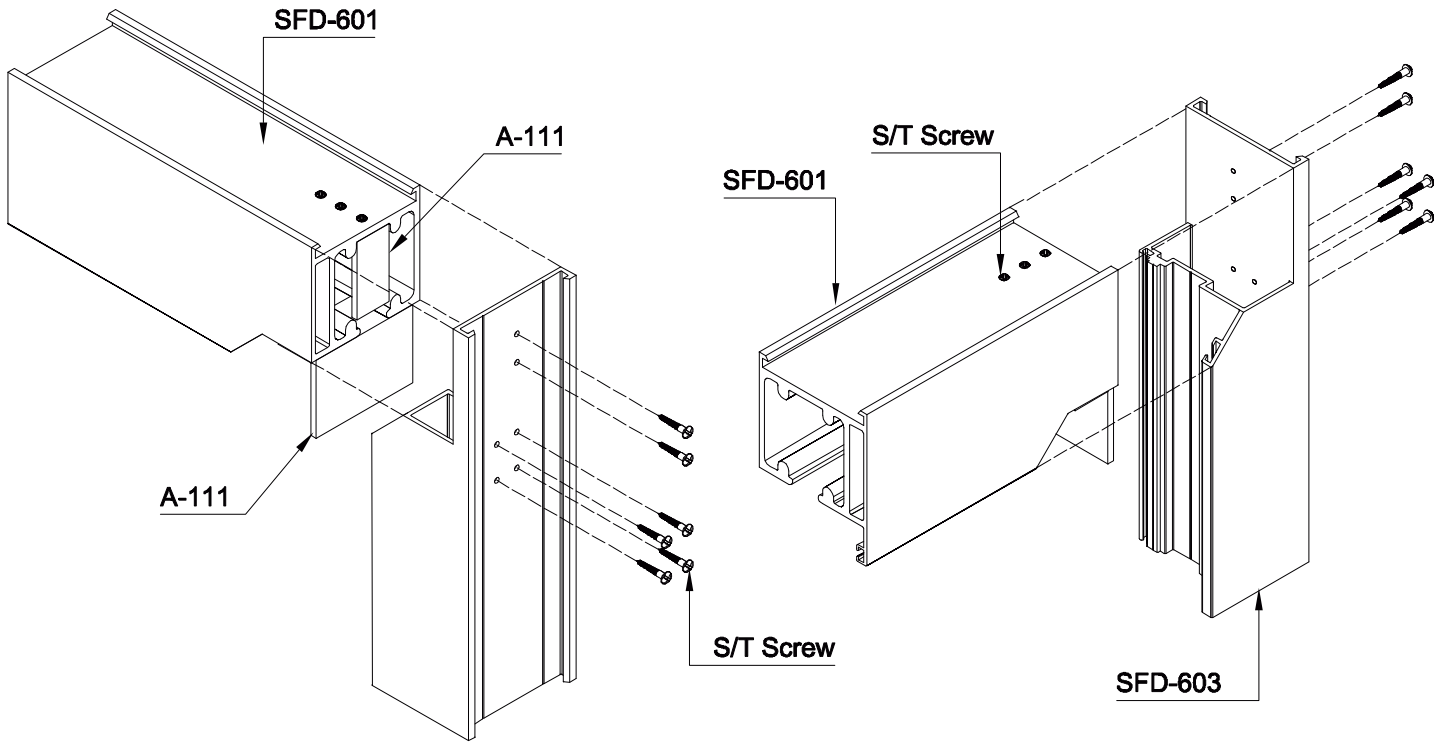


Section :- B-B

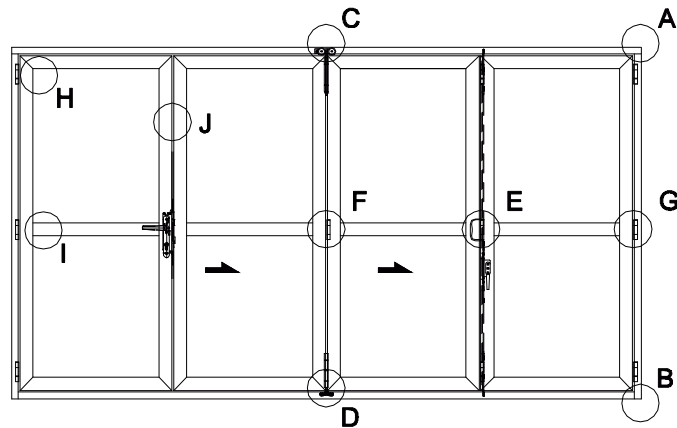
----- : Significant Surface
..... : Insignificant Surface

3D Assembly Detail Of Sliding - Folding Door

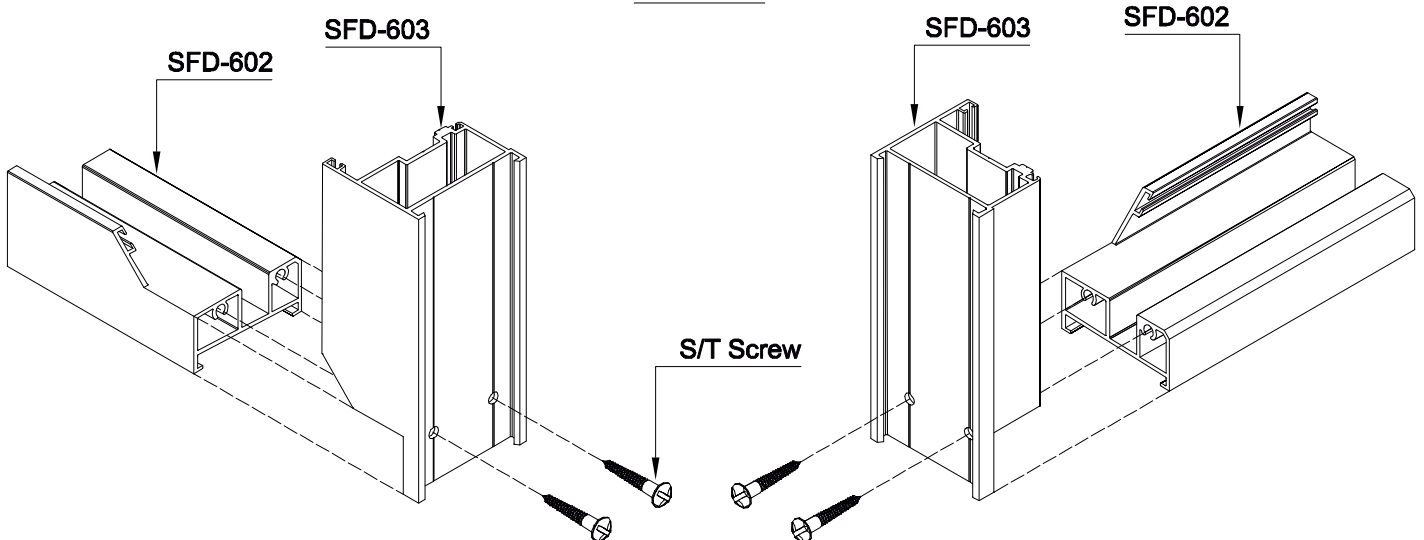
Group 07
Page 06



Detail - "A" Head & Jamb Corner Joint



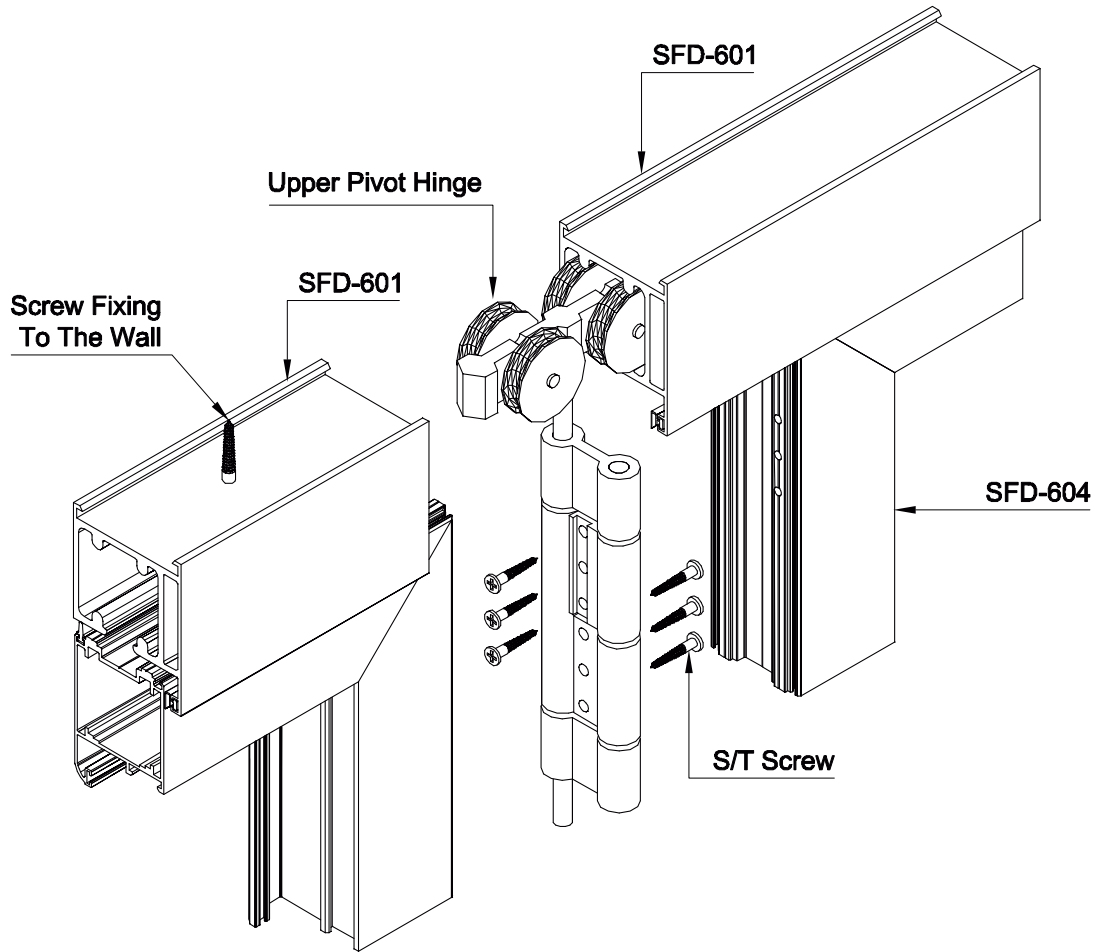
Elevation



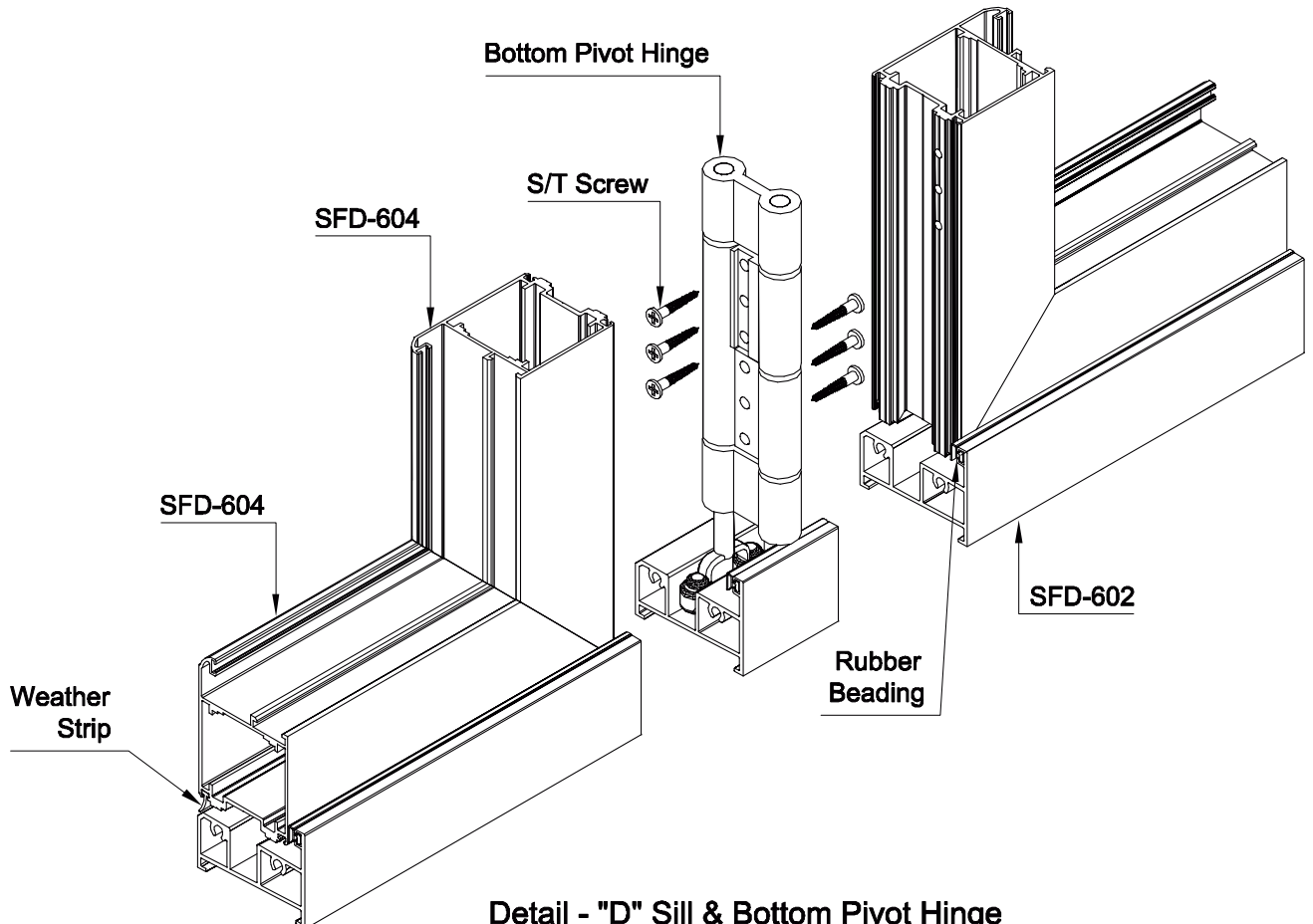
Detail - "B" Sill & Jamb Corner Joint

3D Assembly Detail Of Sliding - Folding Door

Group 07
Page 07



Detail - "C" Head & Upper Pivot Hinge

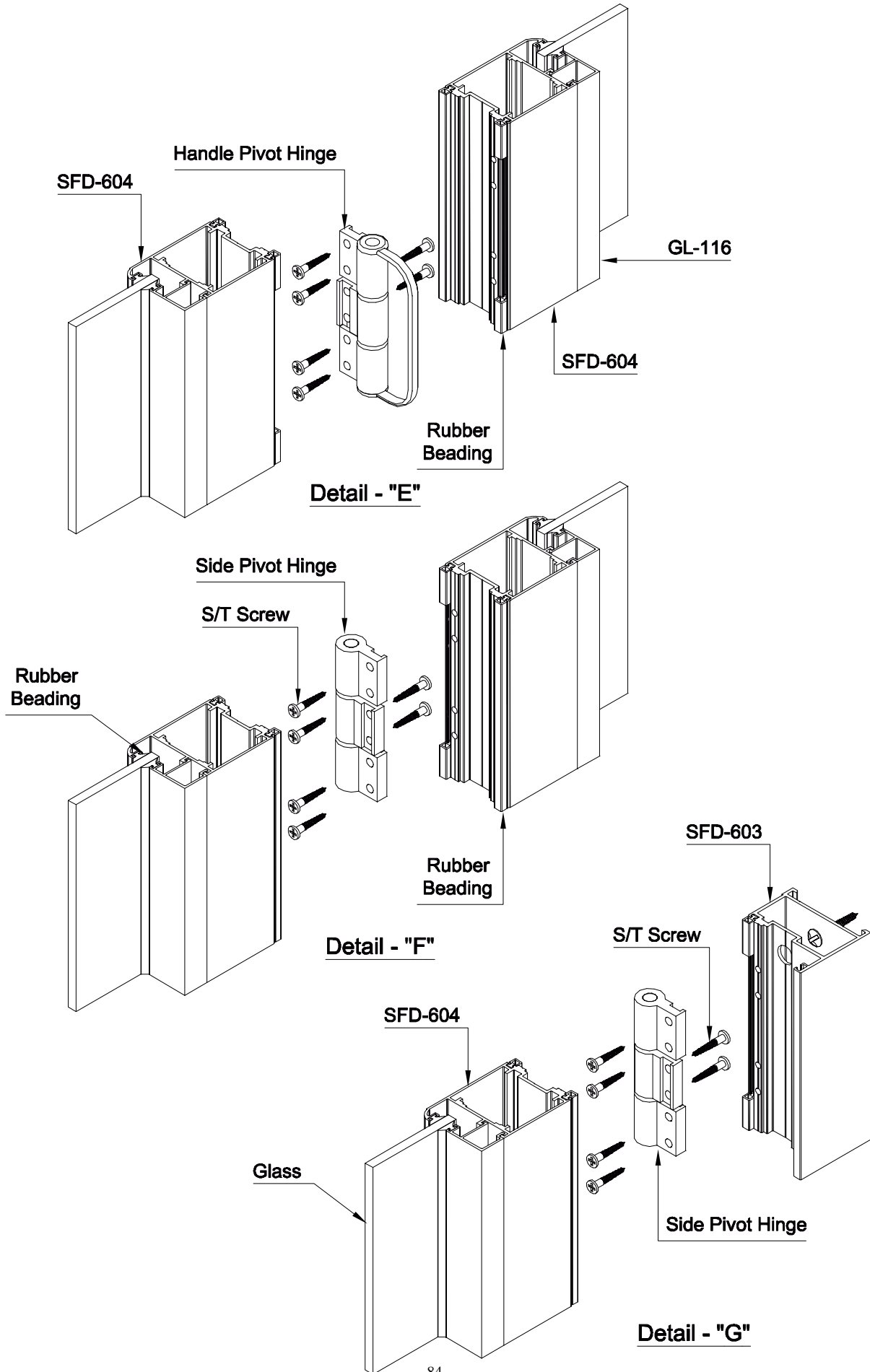


Detail - "D" Sill & Bottom Pivot Hinge

3D Assembly Detail Of Sliding - Folding Door

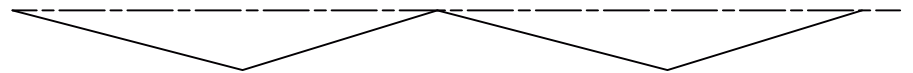
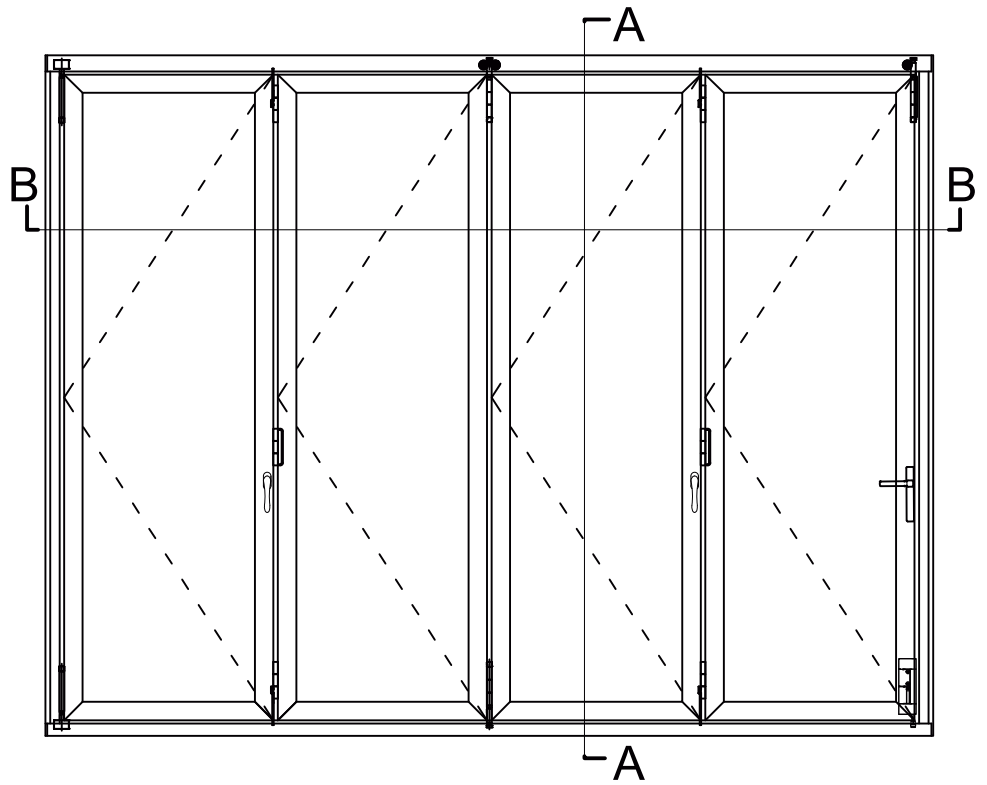
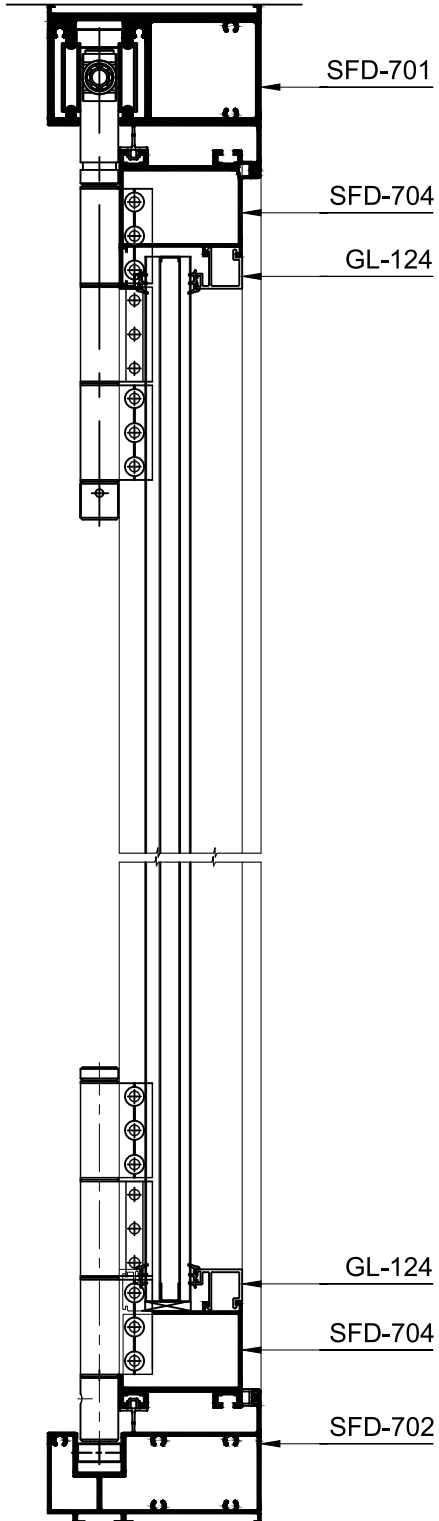
Group 07
Page 08

Hinges Assembly Detail With Sash



Heavy Duty Sliding - Folding

Group 07
Page 09

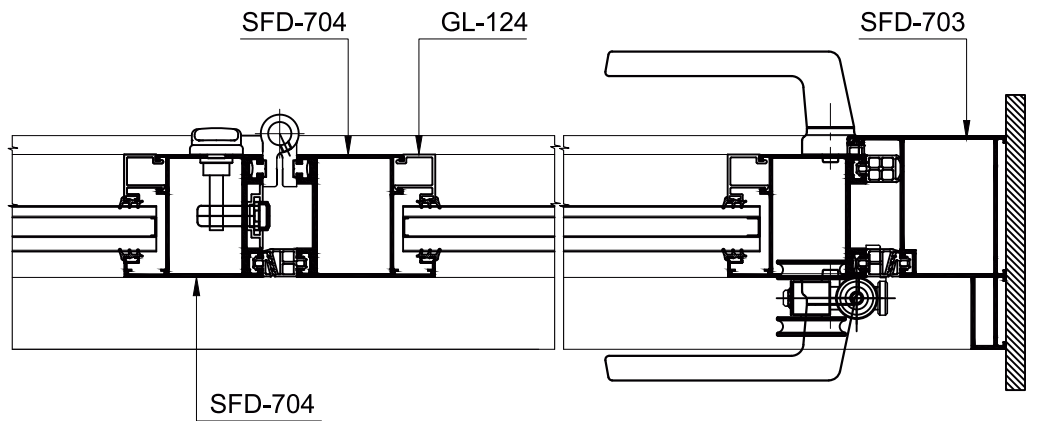
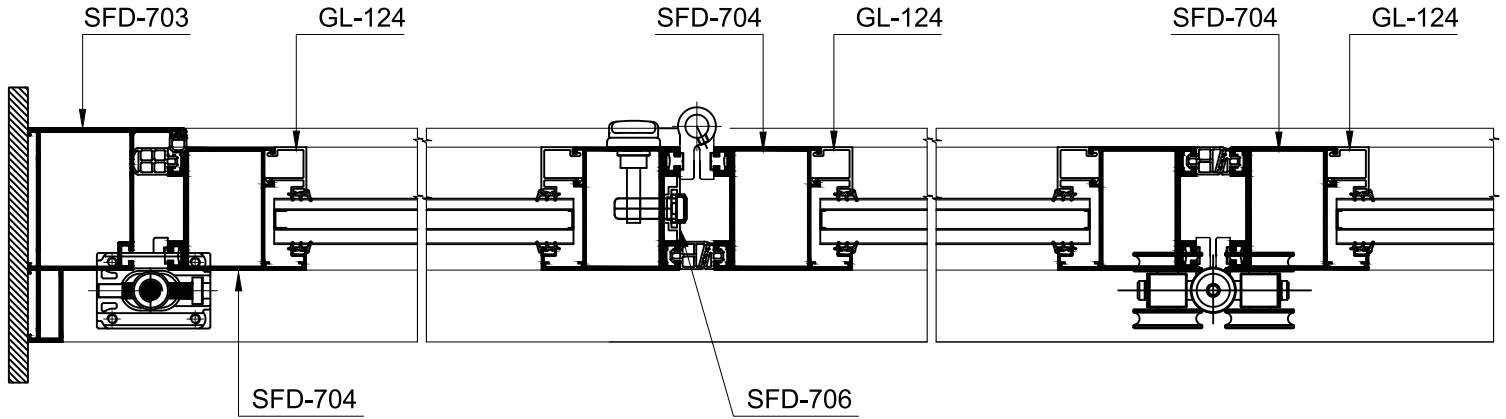


ELEVATION

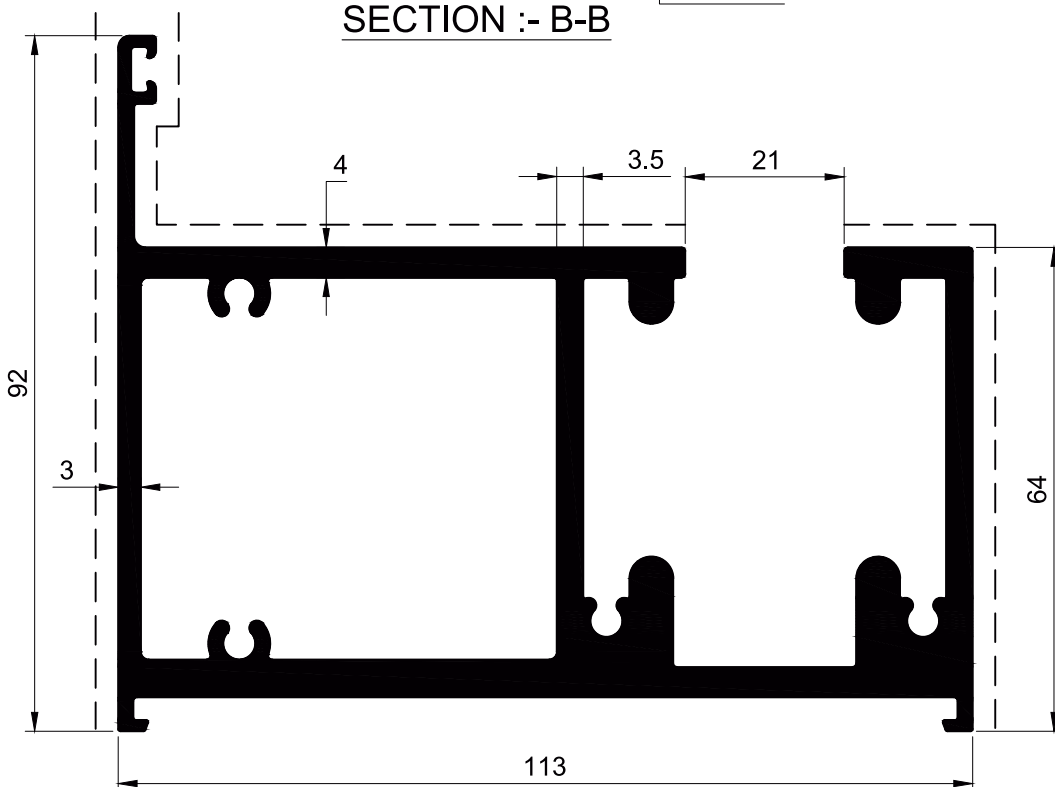
SECTION :- A-A

Heavy Duty Sliding - Folding

Group 07
Page 10



SECTION :- B-B

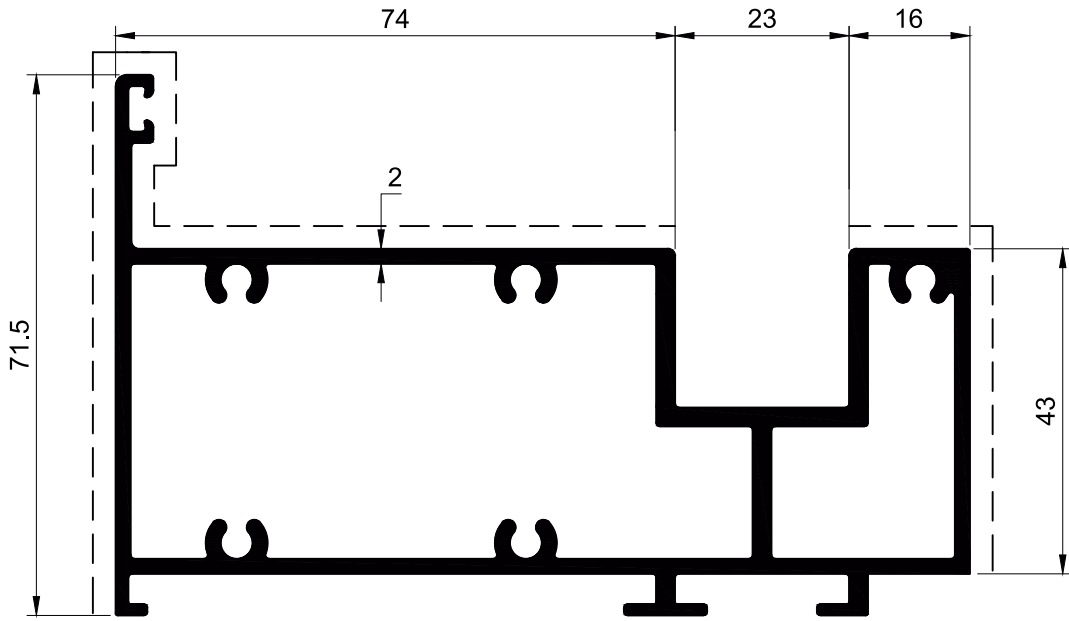


SECTION NO. - SFD-701
EST. WEIGHT - 4.938 KG./M.

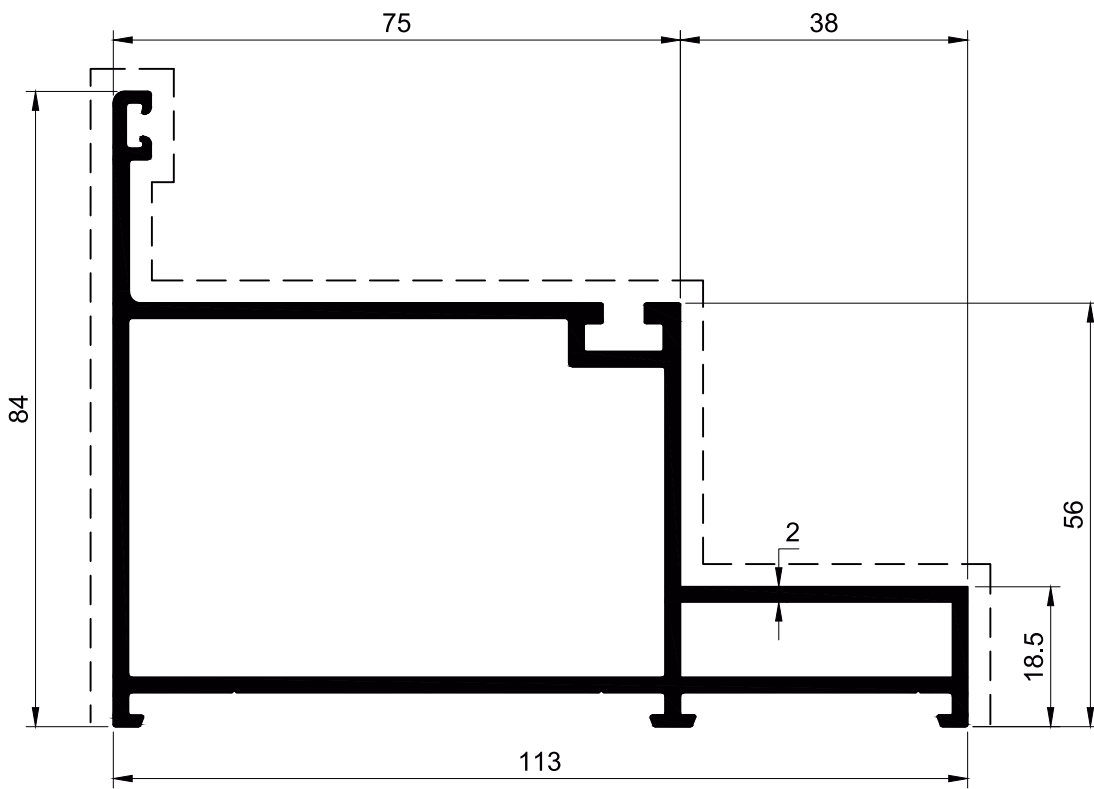
----- : Significant Surface
..... : Insignificant Surface

Heavy Duty Sliding - Folding

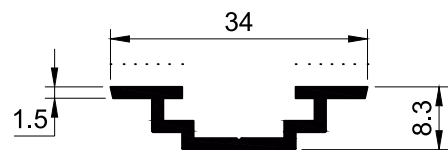
Group 07
Page 11



SECTION NO. - SFD-702
EST. WEIGHT - 2.697 KG./M.



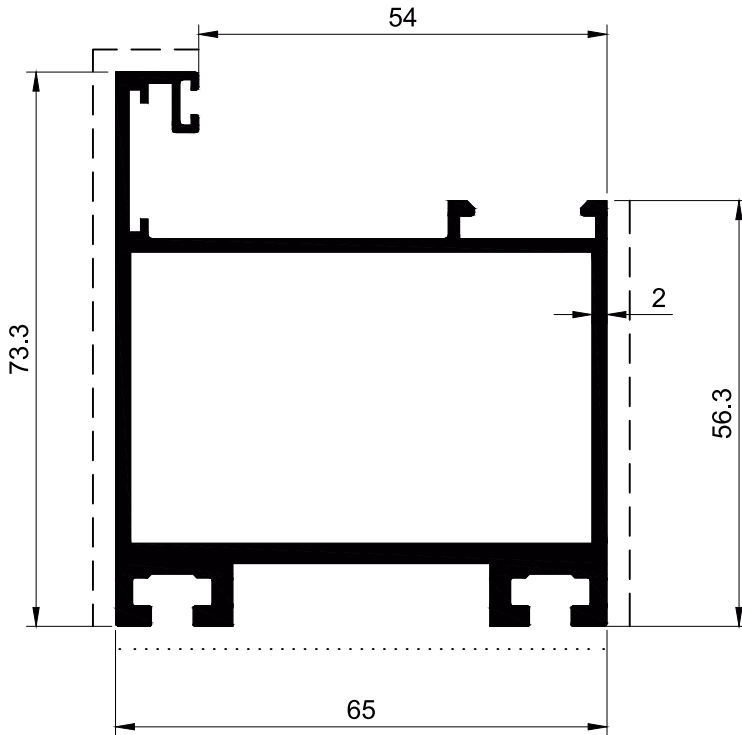
SECTION NO. - SFD-703
EST. WEIGHT - 2.149 KG./M.



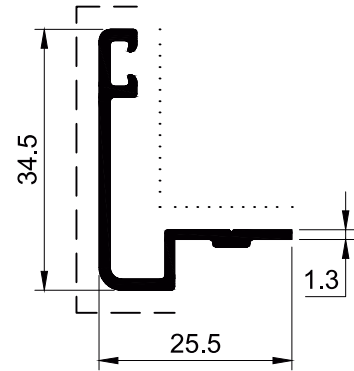
SECTION NO. - SFD-706
EST. WEIGHT - 0.211 KG./M.

----- : Significant Surface
..... : Insignificant Surface

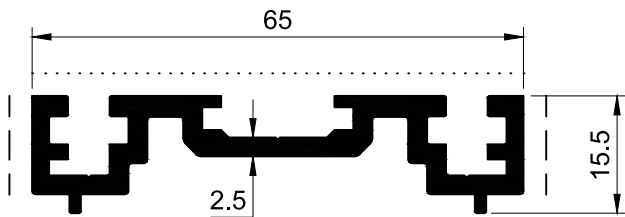
Heavy Duty Sliding - Folding



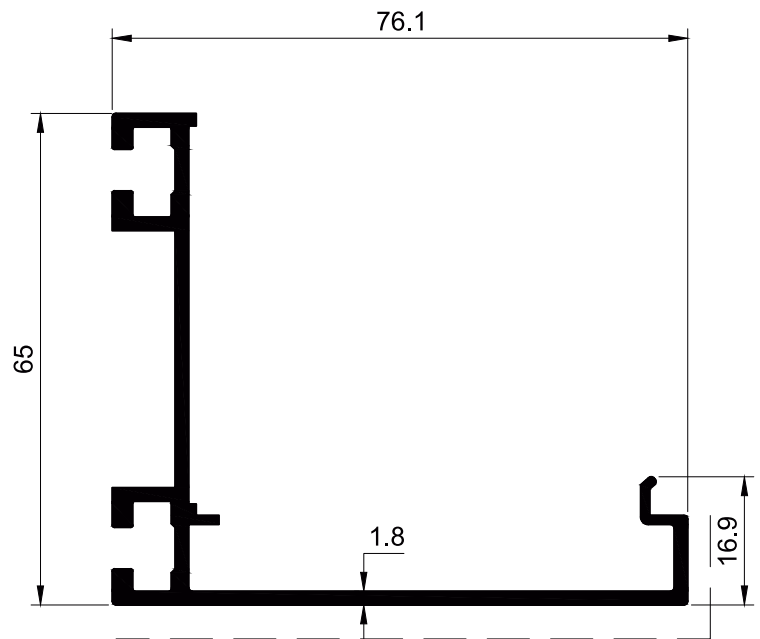
SECTION NO. - SFD-704
EST. WEIGHT - 1.846 KG./M.



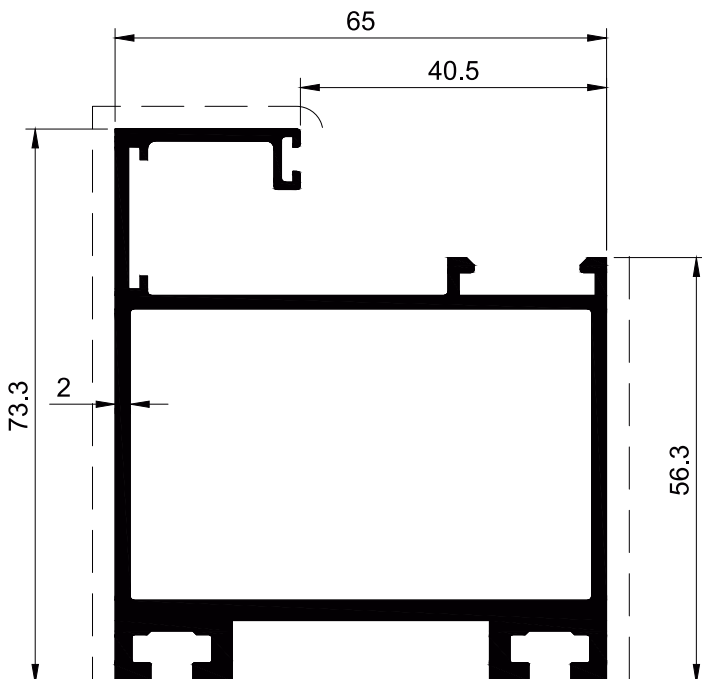
SECTION NO. - SFD-705
EST. WEIGHT - 0.295 KG./M.



SECTION NO. - SFD-707
EST. WEIGHT - 0.933 KG./M.



SECTION NO. - SFD-709
EST. WEIGHT - 1.008 KG./M.

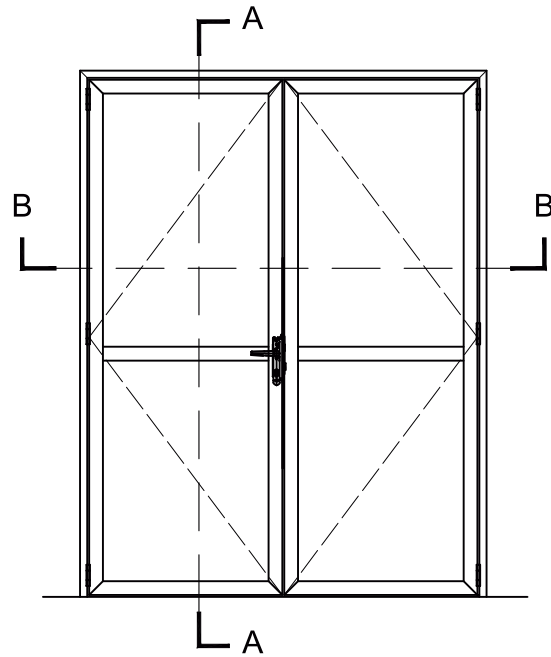
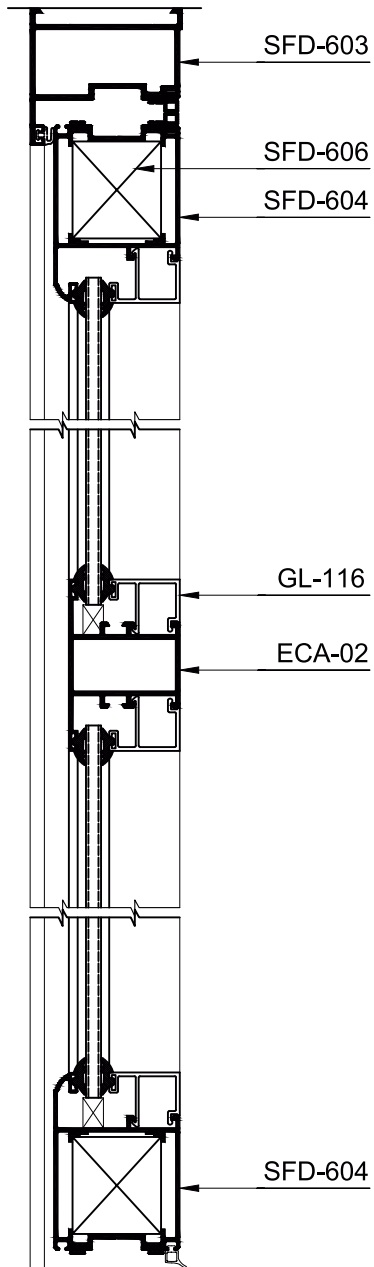


SECTION NO. - SFD-708
EST. WEIGHT - 1.907 KG./M.

----- : Significant Surface
..... : Insignificant Surface

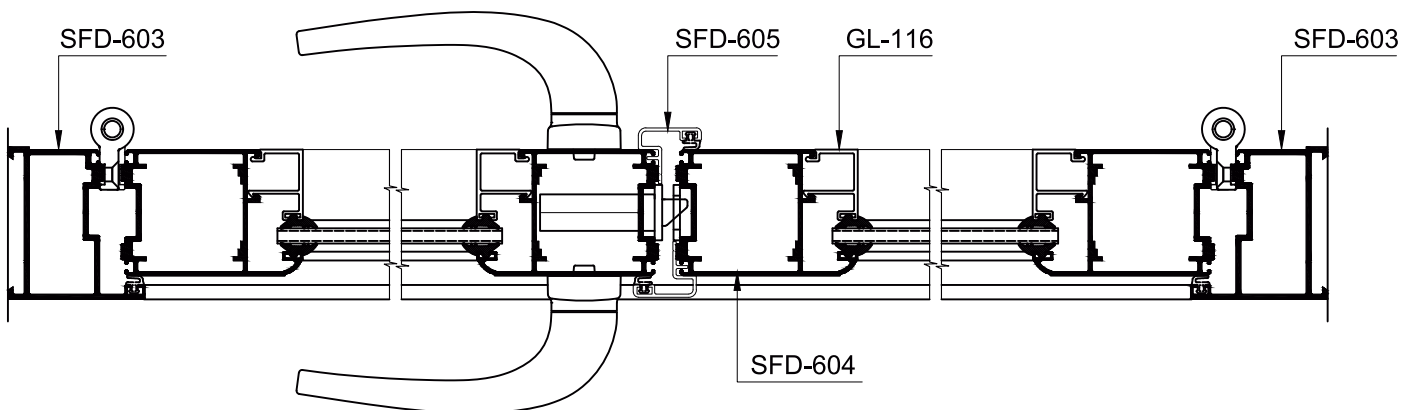
Double Door - (Lapped)

Group 07
Page 13



ELEVATION

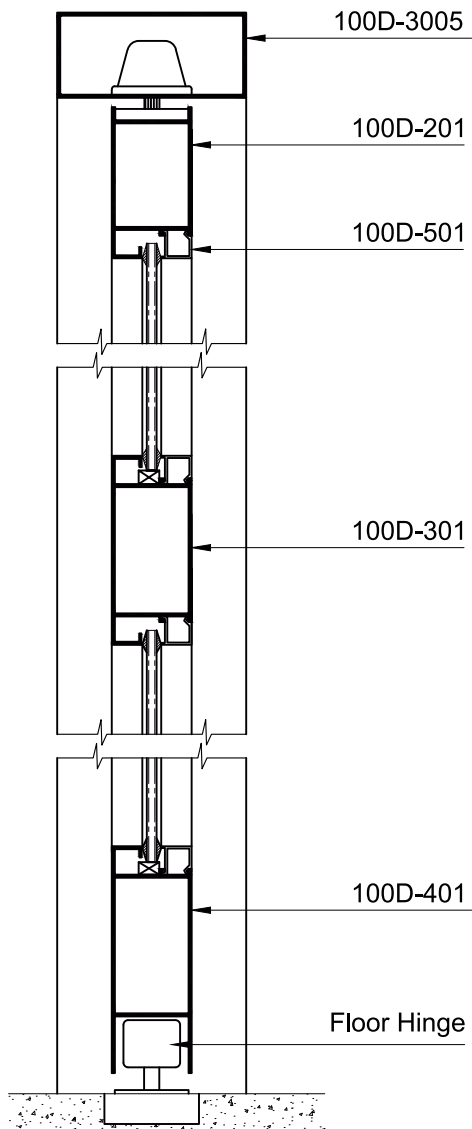
SECTION :- A-A



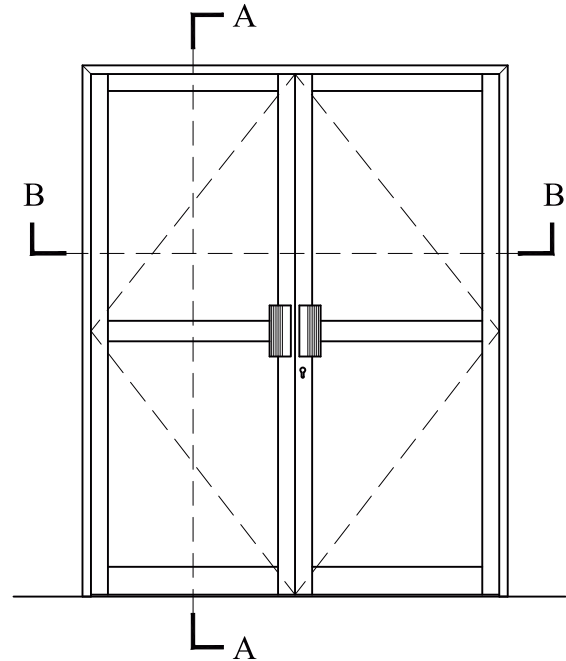
SECTION :- B-B

100mm Door (1.6mm Thk)

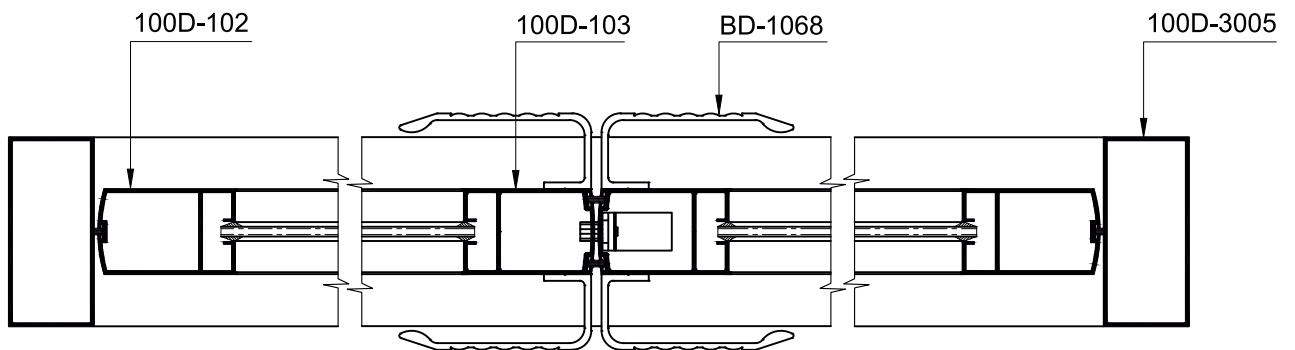
Group 08
Page 01



SECTION :- A - A



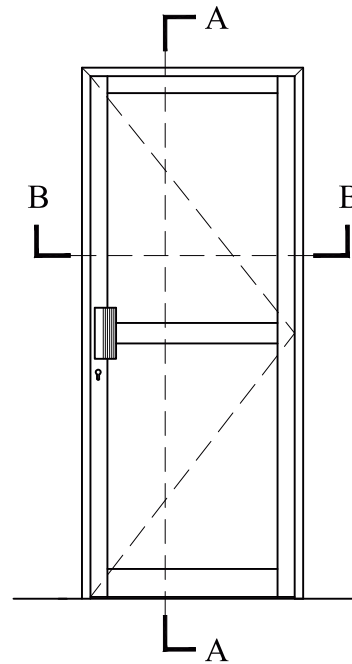
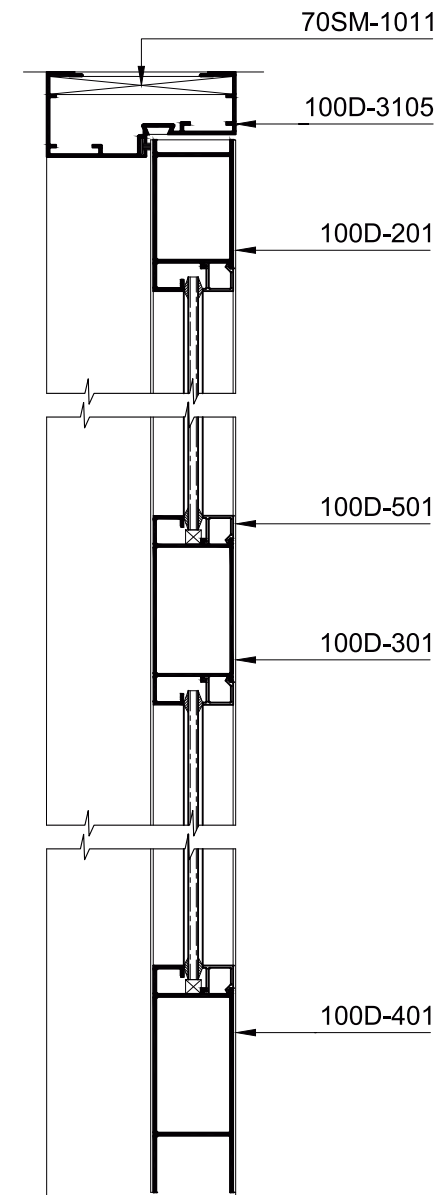
ELEVATION



SECTION :- B - B

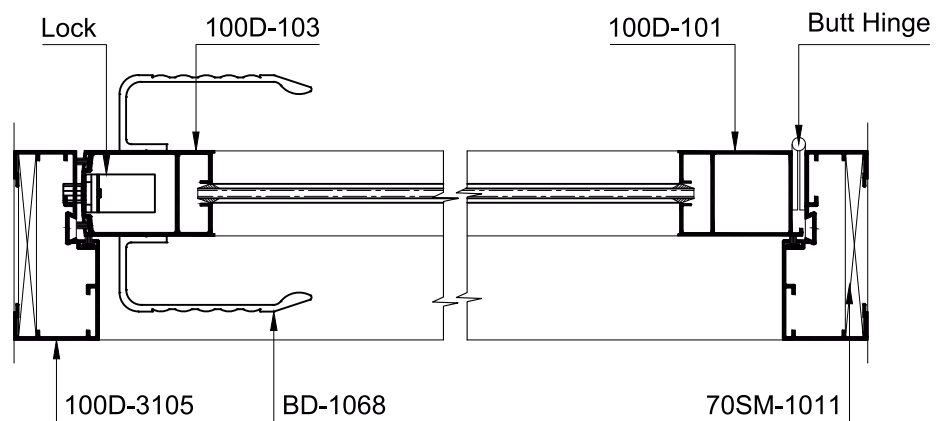
100mm Door (1.6mm Thk)

Group 08
Page 02



ELEVATION

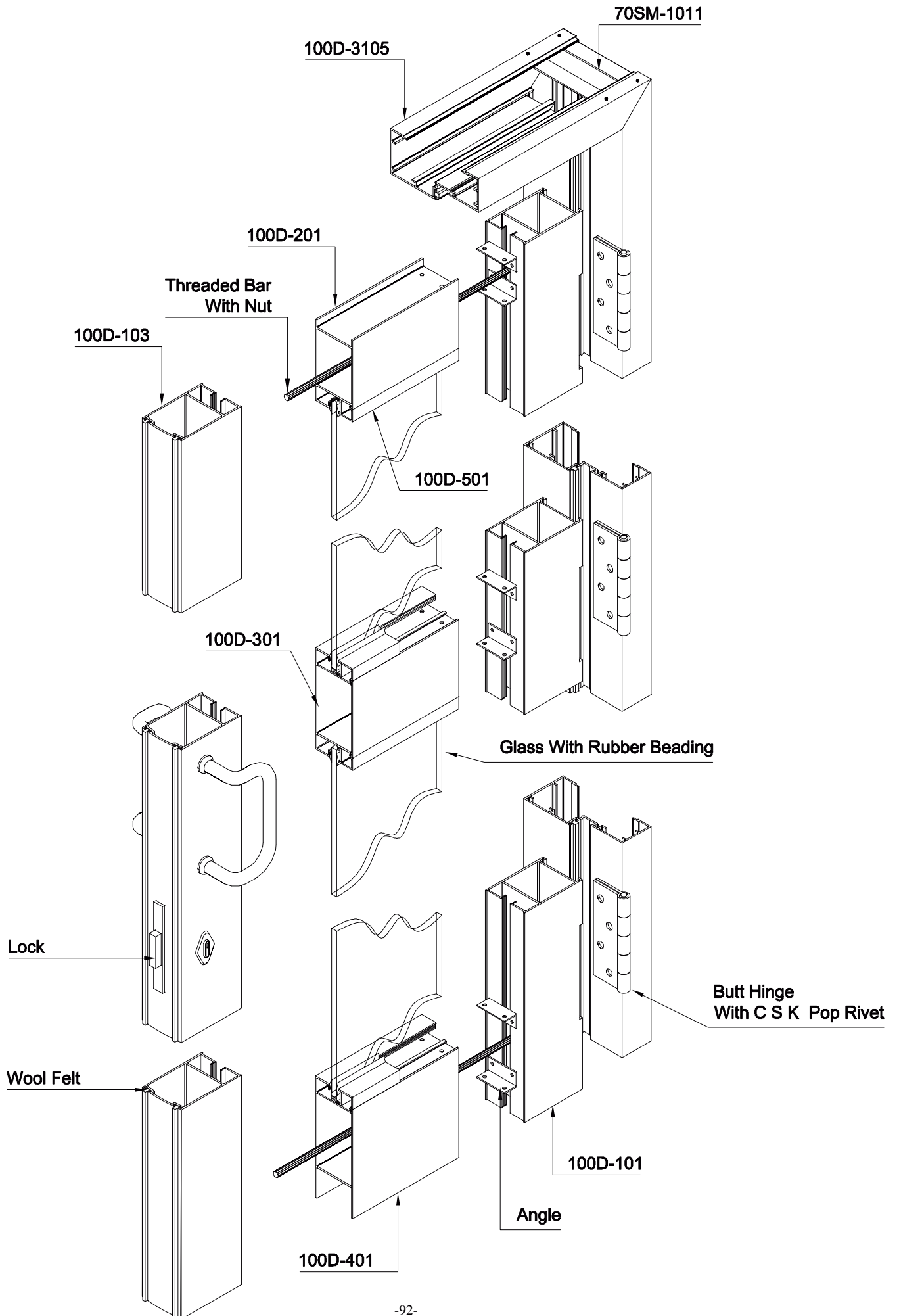
SECTION :- A - A



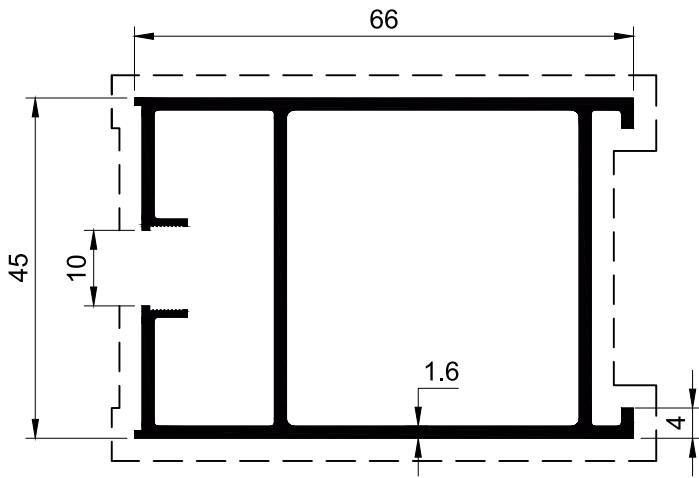
SECTION :- B - B

3D Assembly Detail Of 100mm Door

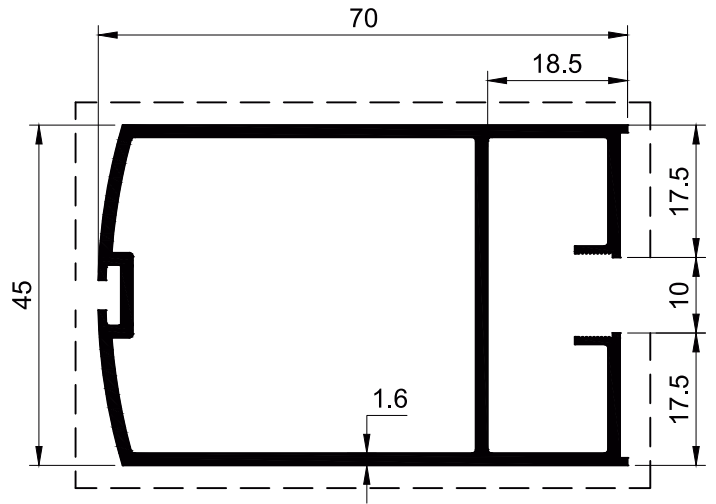
Group 08
Page 03



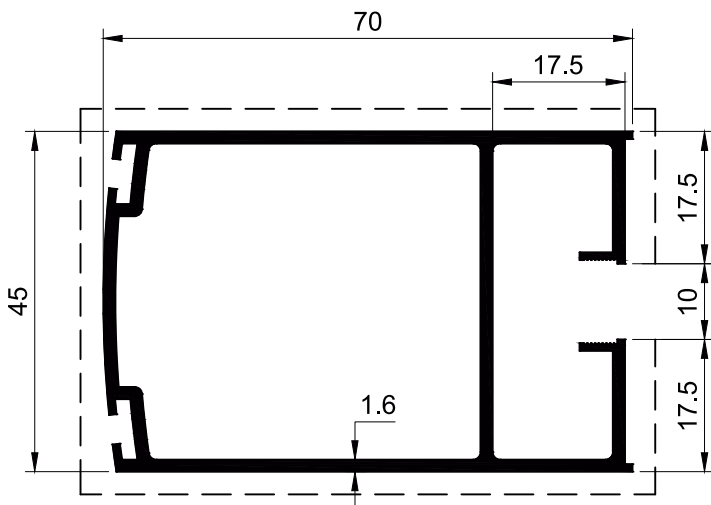
100mm Door (1.6mm Thk)



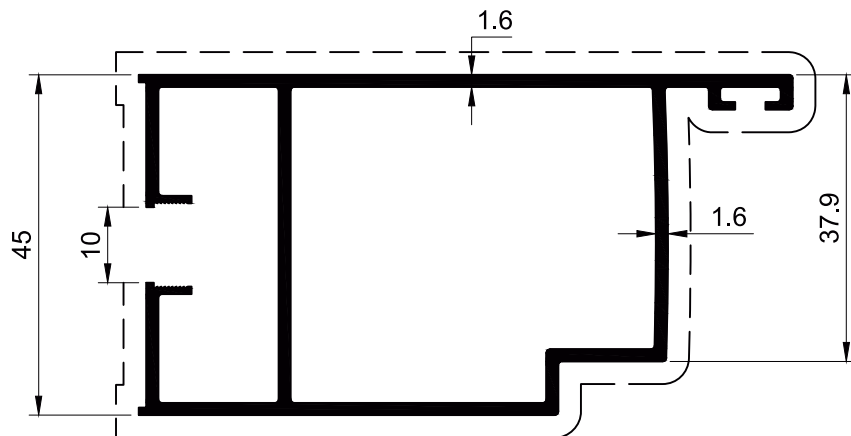
SECTION NO. - 100D - 101
EST. WEIGHT - 1.107 KG./M.



SECTION NO. - 100D - 102
EST. WEIGHT - 1.132 KG./M.



SECTION NO. - 100D - 103
EST. WEIGHT - 1.155 KG./M.

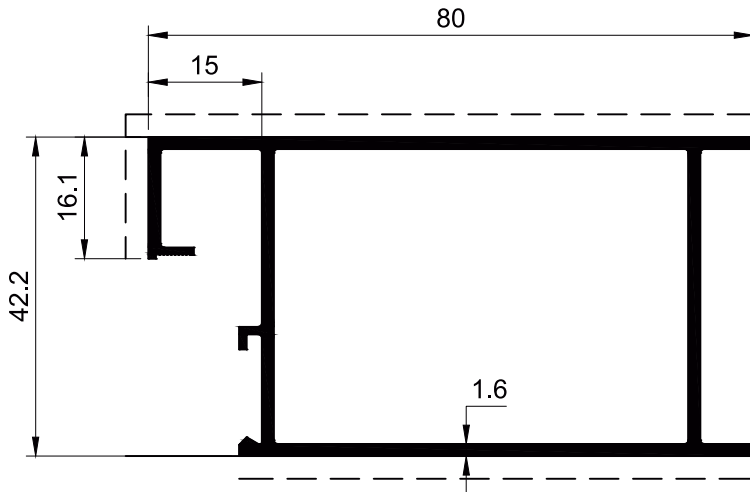


SECTION NO. - 100D - 104
EST. WEIGHT - 1.227 KG./M.

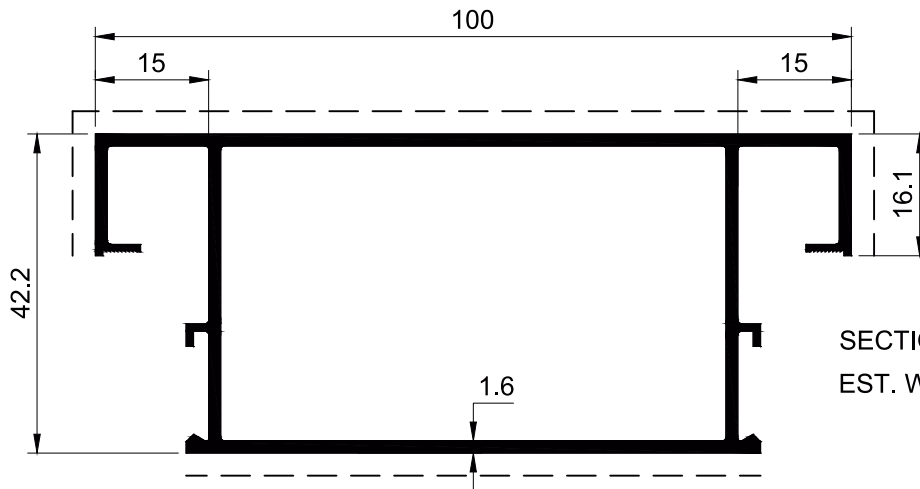
----- : Significant Surface
..... : Insignificant Surface

100mm Door (1.6mm Thk)

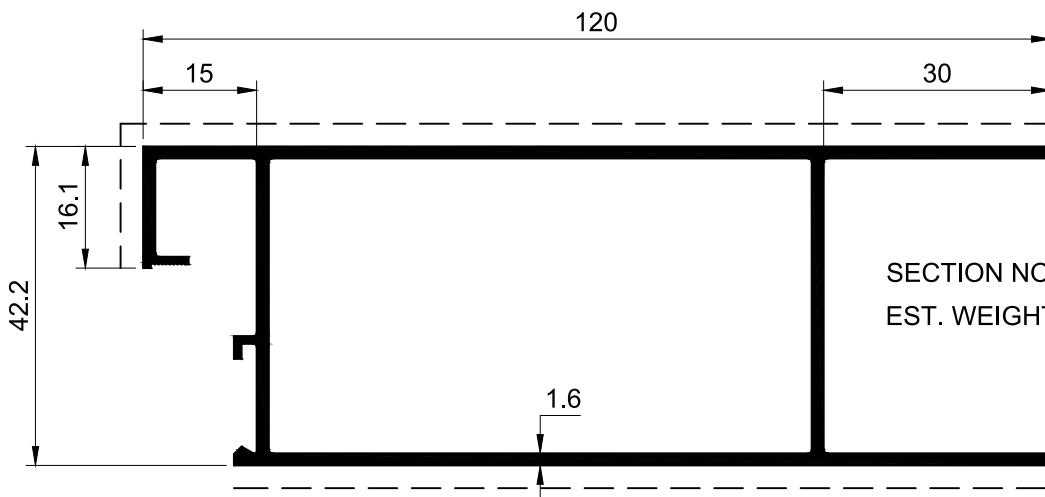
Group 08
Page 05



SECTION NO. - 100 D -201
EST. WEIGHT - 1.066 KG./M.



SECTION NO. - 100D - 301
EST. WEIGHT - 1.276 KG./M.

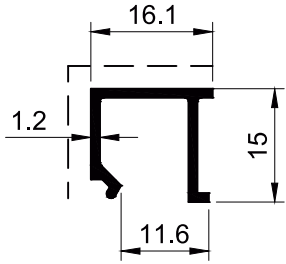


SECTION NO. - 100D - 401
EST. WEIGHT - 1.412 KG./M.

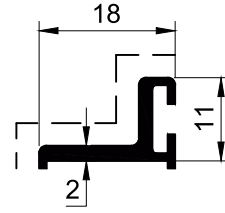
----- : Significant Surface
..... : Insignificant Surface

100mm Door (1.6mm Thk)

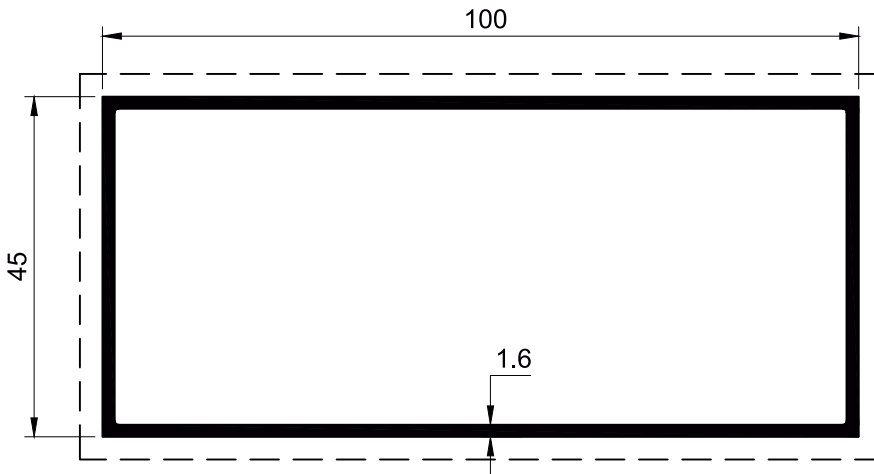
Group 08
Page 06



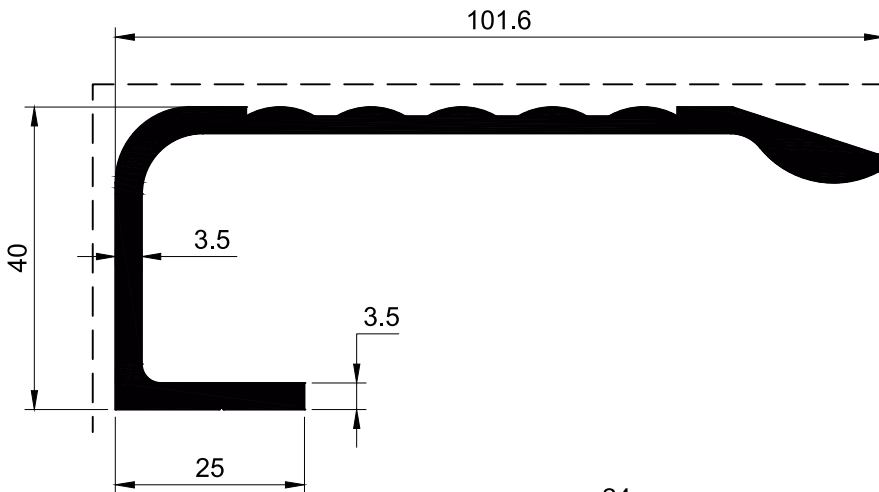
SECTION NO. - 100D - 501
EST. WEIGHT - 0.151 KG./M.



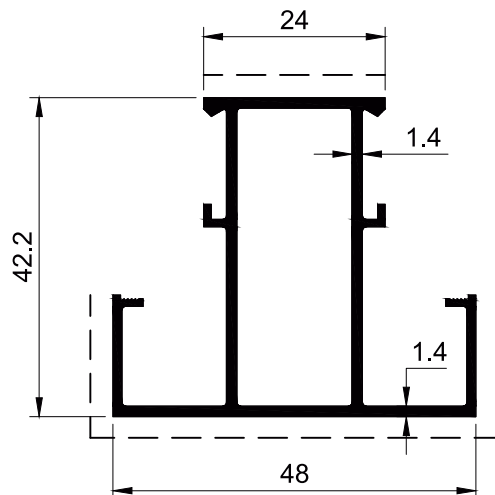
SECTION NO. - 70 D - 1910
EST. WEIGHT - 0.159 KG./M.



SECTION NO. - 100 D- 3005
EST. WEIGHT - 1.226 KG./M.



SECTION NO. - BD-1068
EST. WEIGHT - 1.474 KG./M.



SECTION NO. - 100D-302
EST. WEIGHT - 0.716 KG./M.

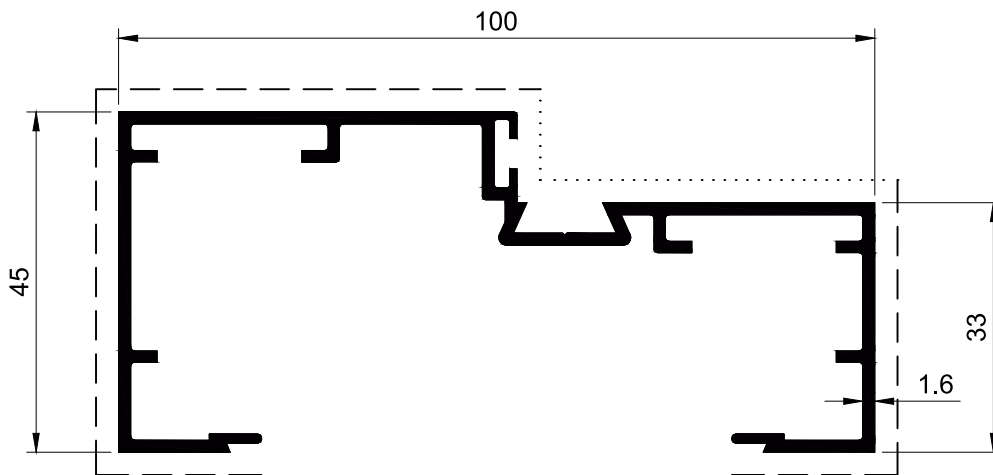
----- : Significant Surface
..... : Insignificant Surface

100mm Door

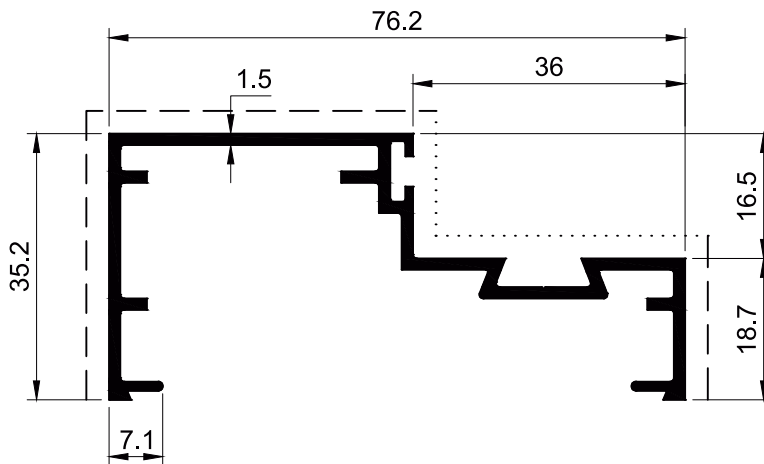
Group 08
Page 07



SECTION NO. - 100D - 3105
EST. WEIGHT - 1.100 KG./M.



SECTION NO. - 100D - 3106
EST. WEIGHT - 1.157 KG./M.

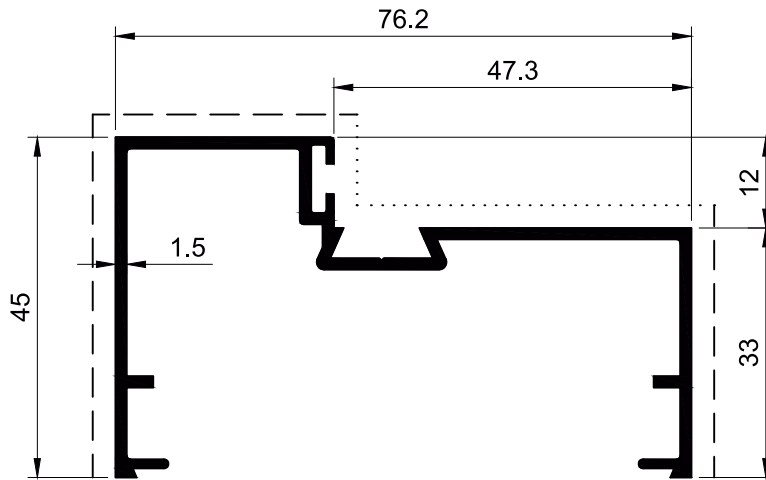


SECTION NO. - 76D - 3101
EST. WEIGHT - 0.754 KG./M.

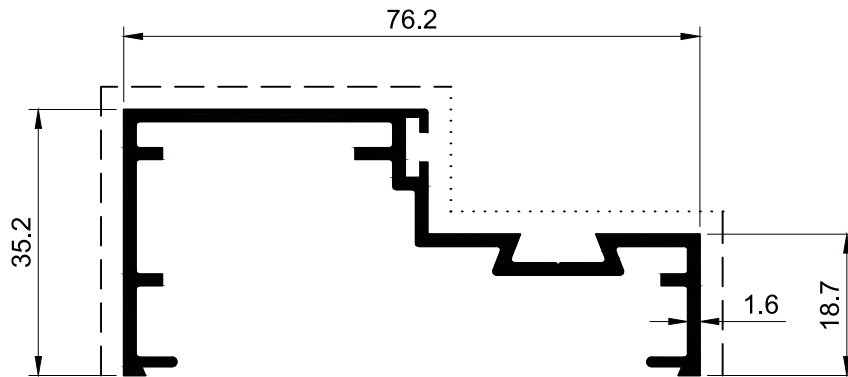
----- : Significant Surface
..... : Insignificant Surface

100mm Door

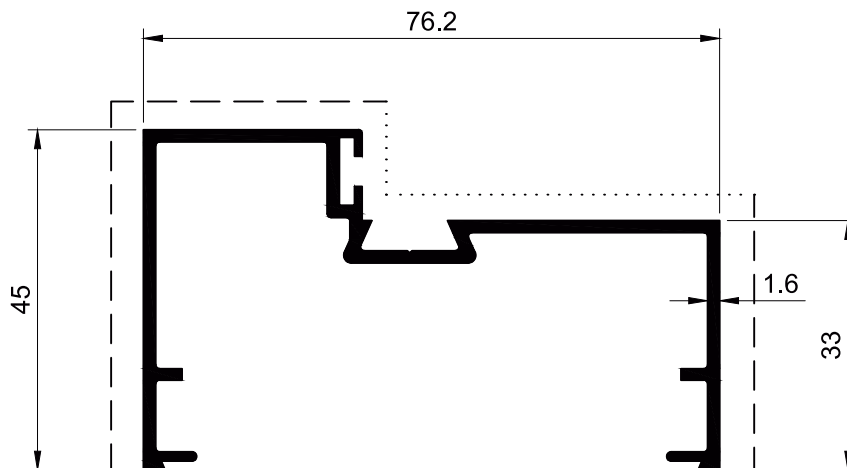
Group 08
Page 08



SECTION NO. - 76D-3102
EST. WEIGHT - 0.801 KG./M.



SECTION NO. - 76D-3103
EST. WEIGHT - 0.792 KG./M.

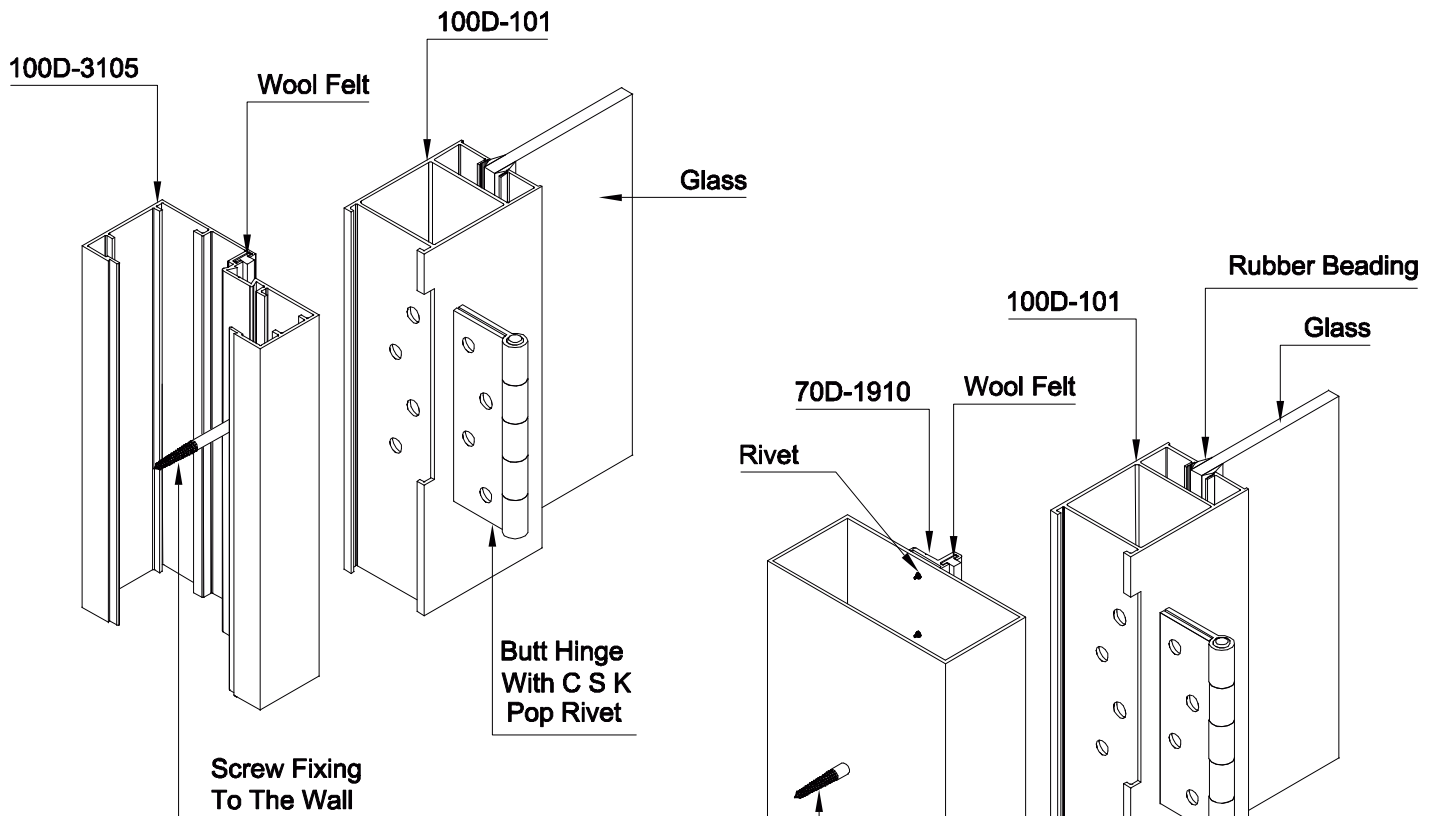


SECTION NO. - 76D-3104
EST. WEIGHT - 0.848 KG./M.

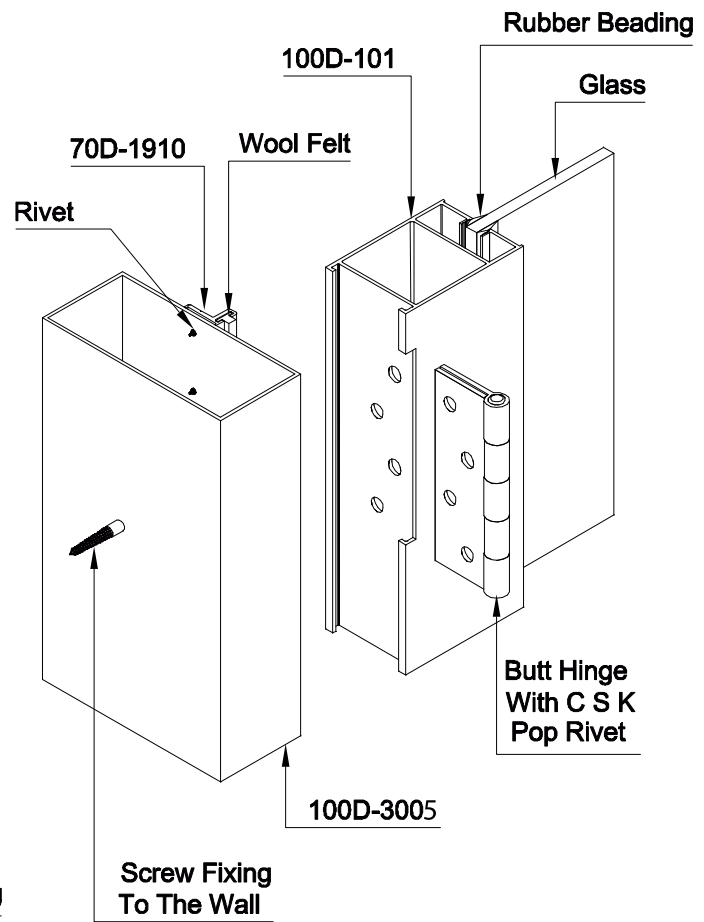
----- : Significant Surface
..... : Insignificant Surface

3D Assembly Detail Of Butt Hinge Door

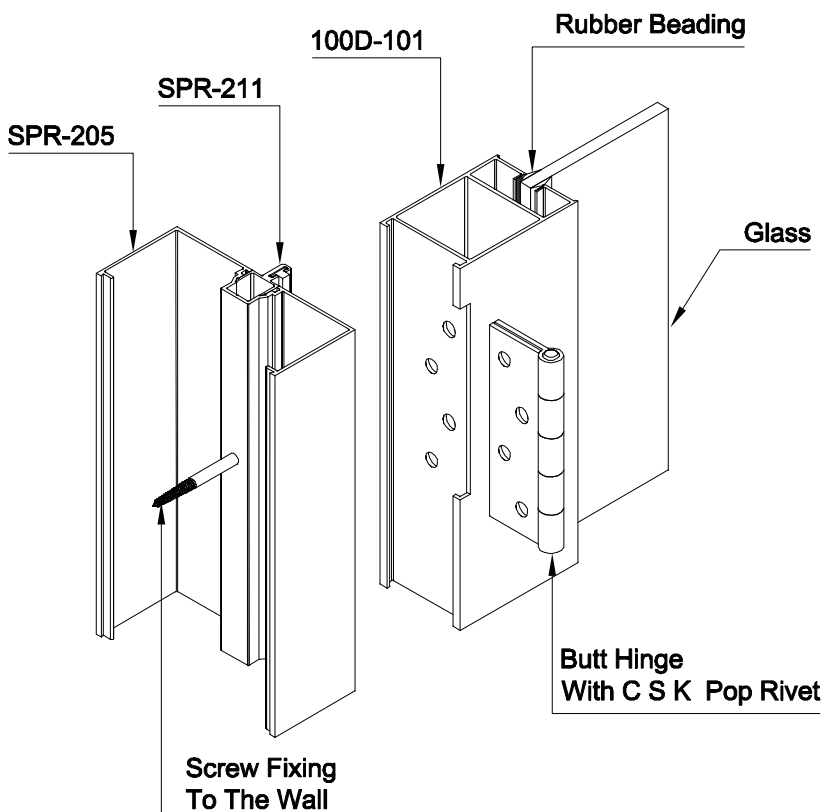
Group 08
Page 09



Door Sash With 100D-3105



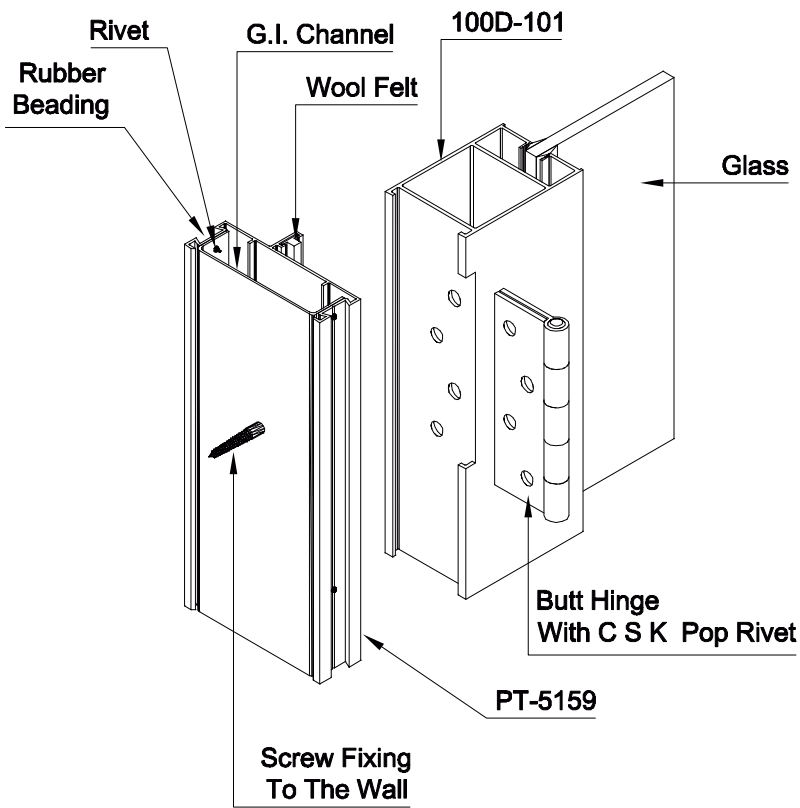
Door Sash With 100D-3005



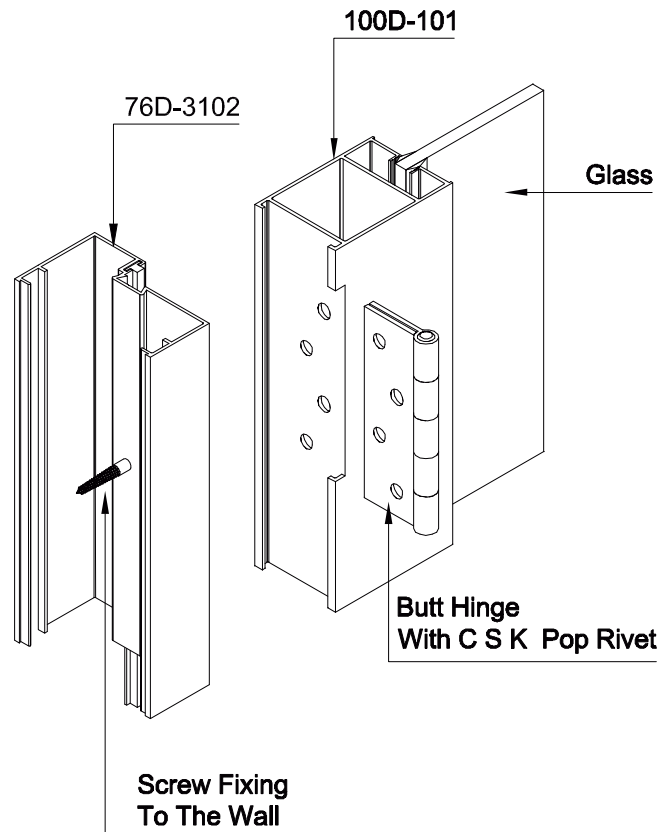
Door Sash With SPR-205

3D Assembly Detail Of Butt Hinge Door

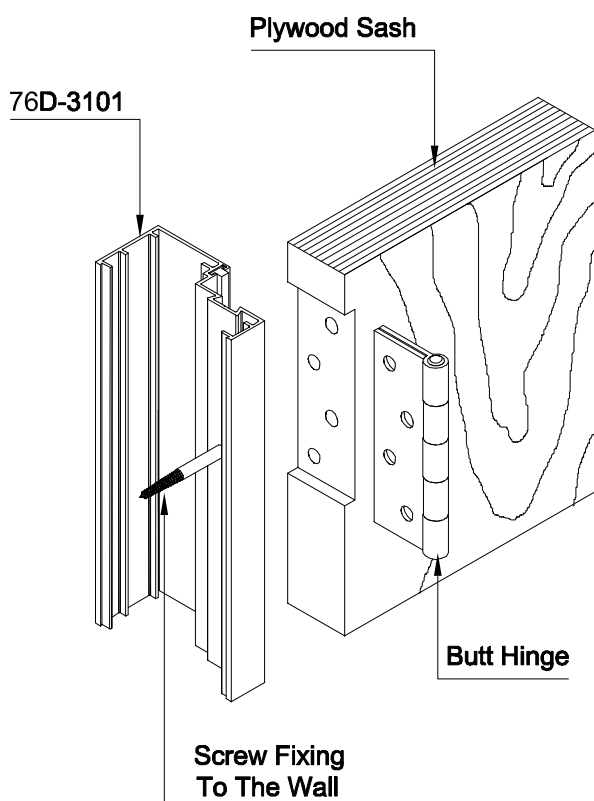
Group 08
Page 10



Door Sash With PT-5159



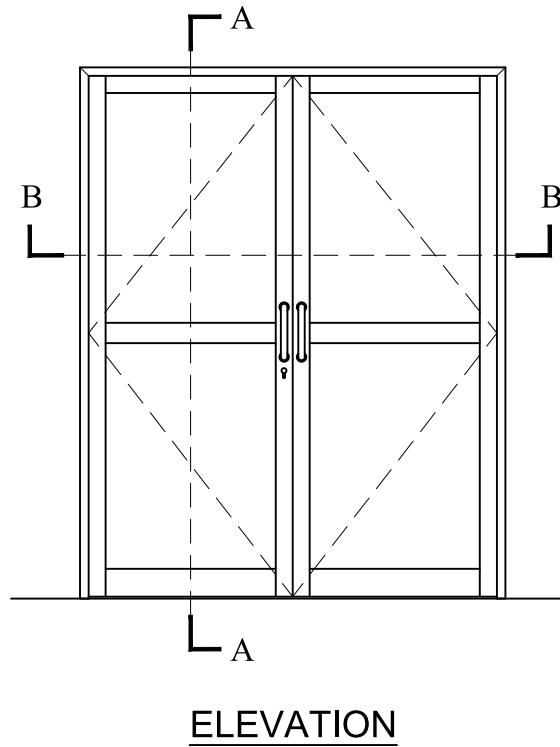
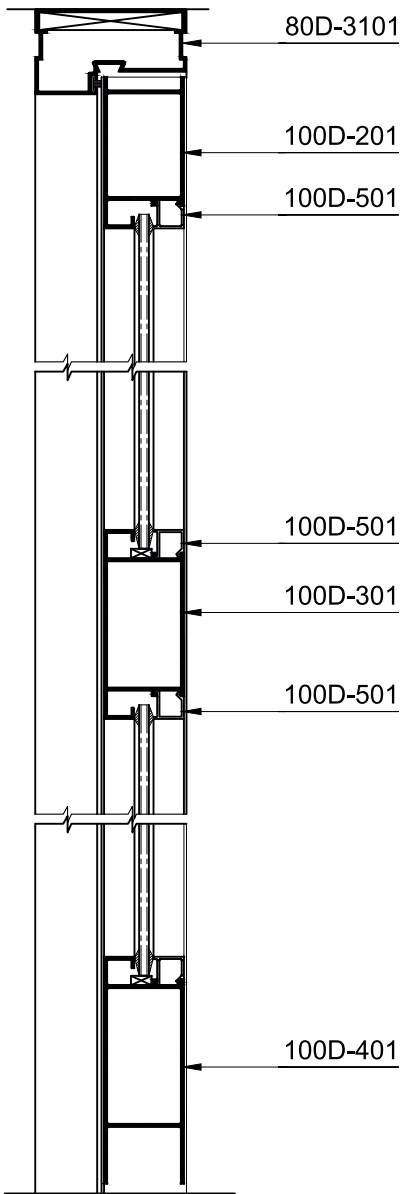
Door Sash With 76D-3102



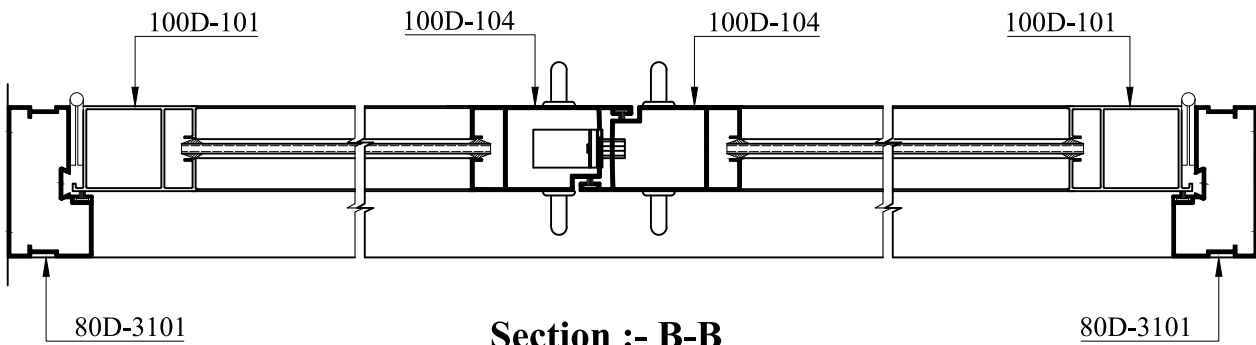
Plywood Sash With 76D-3101

80mm Door

Group 08
Page 11



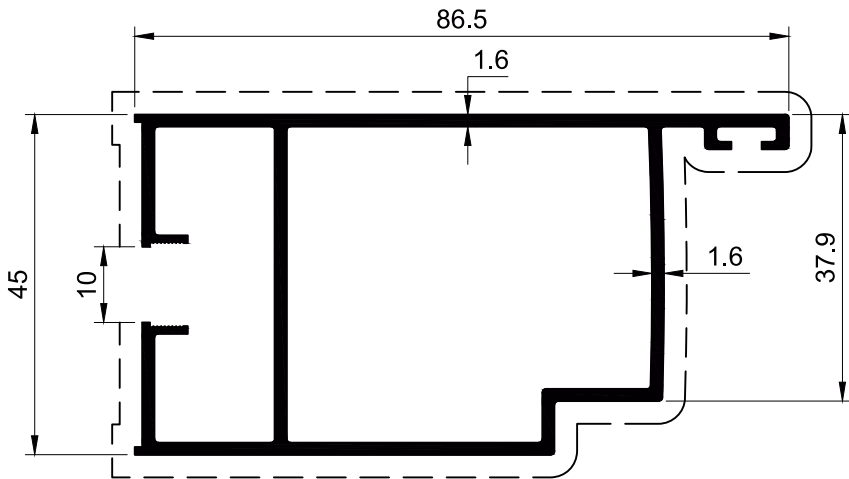
Section :- A-A



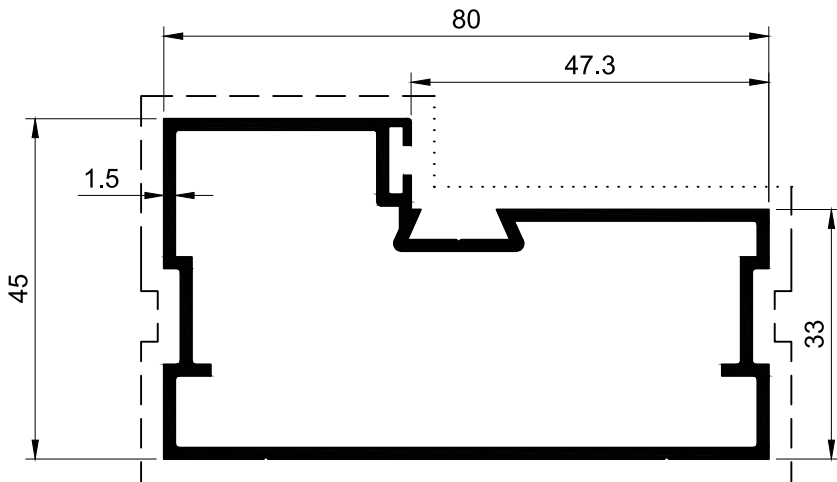
Section :- B-B

80mm Door

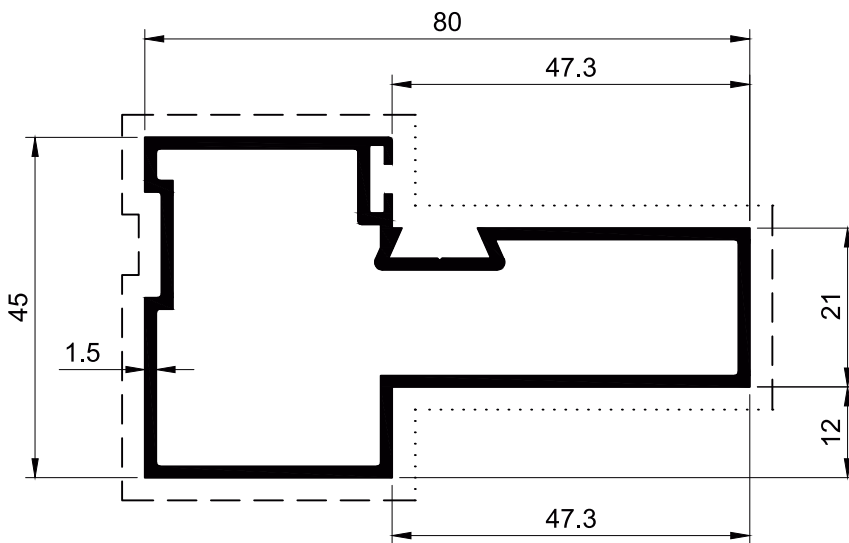
Group 08
Page 12



SECTION NO. - 100D - 104
EST. WEIGHT - 1.227 KG./M.



SECTION NO. - 80D-3101
EST. WEIGHT - 1.115 KG./M.

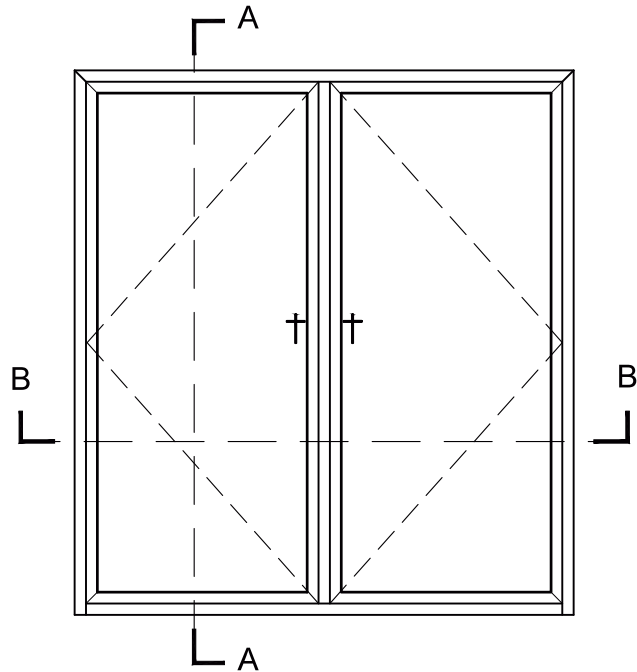
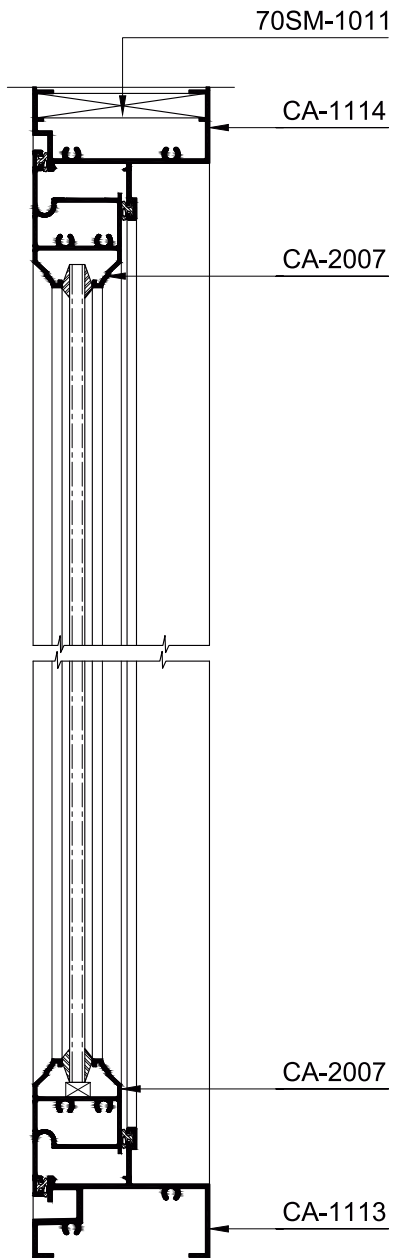


SECTION NO. - 80D-3102
EST. WEIGHT - 1.076 KG./M.

----- : Significant Surface
..... : Insignificant Surface

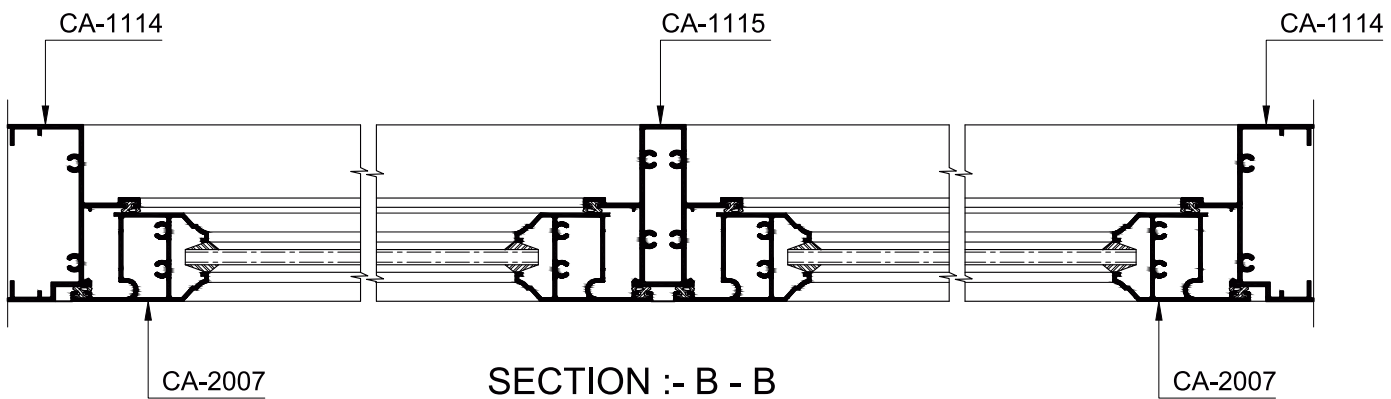
70mm Casement (1.5mm Thk.)

Group 09
Page 01



ELEVATION

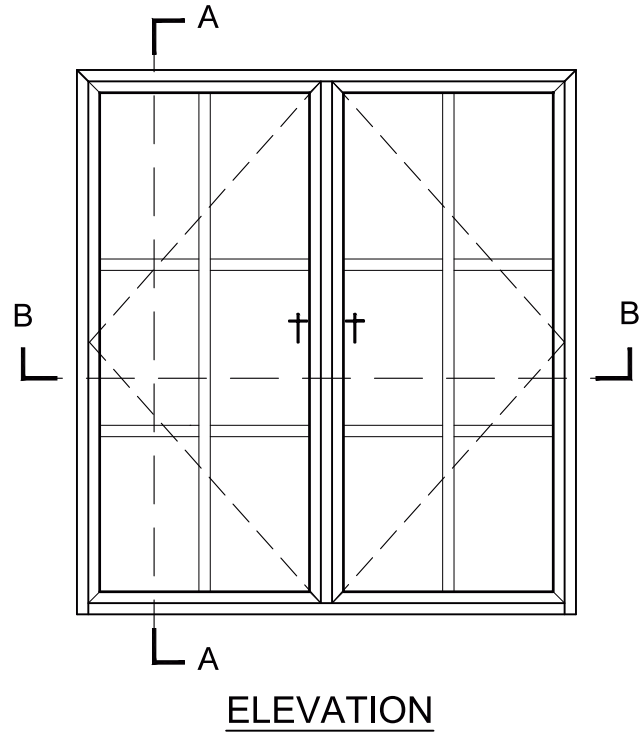
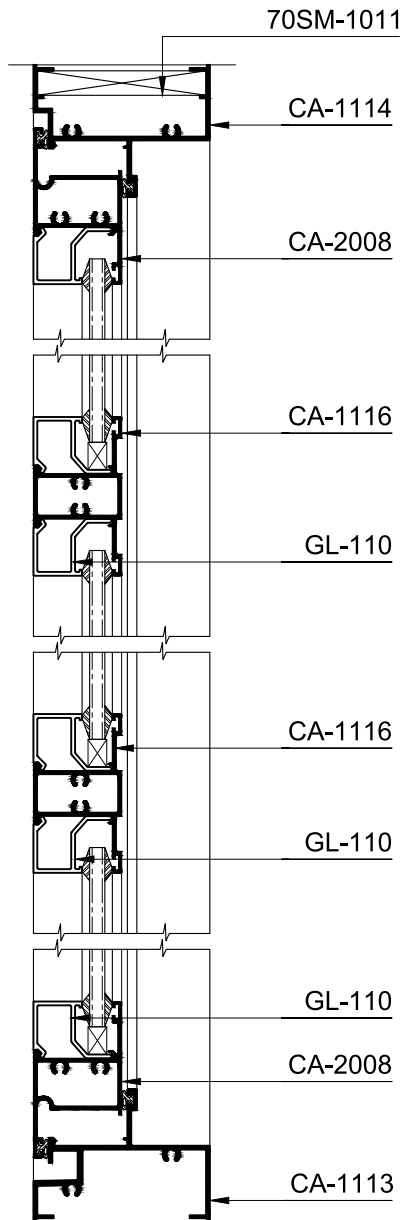
SECTION :- A - A



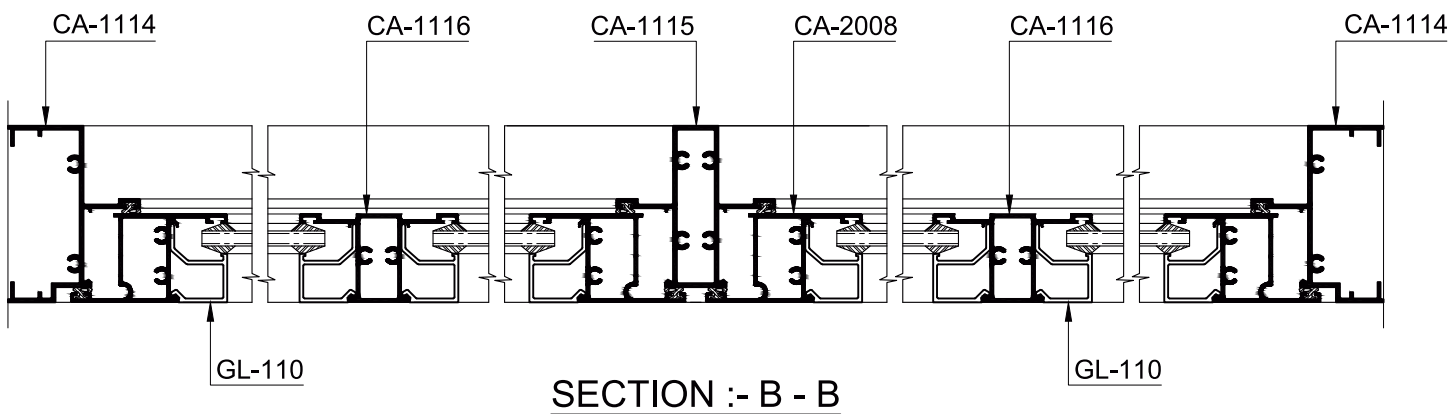
SECTION :- B - B

70mm Casement (1.5mm Thk.)

Group 09
Page 02

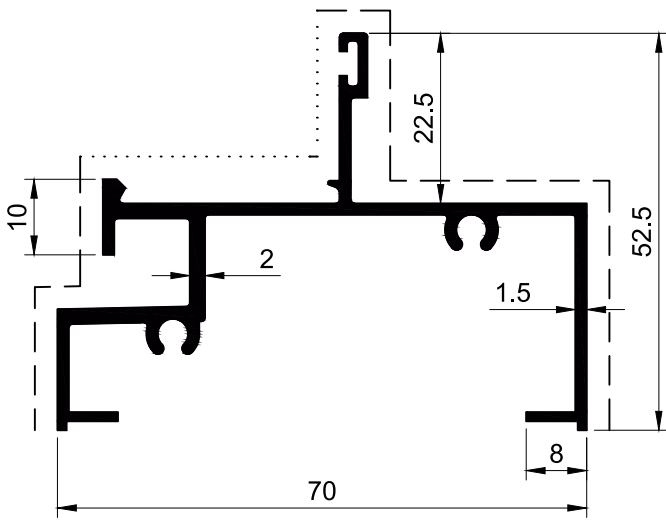


SECTION :- A - A

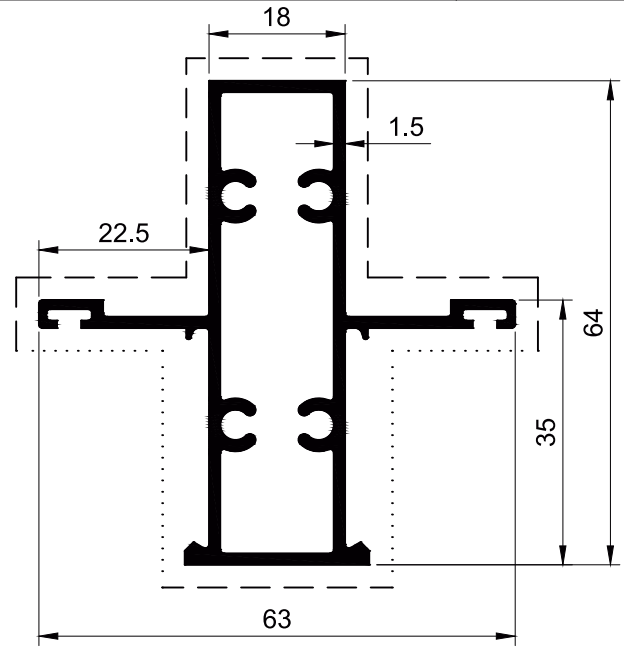


SECTION :- B - B

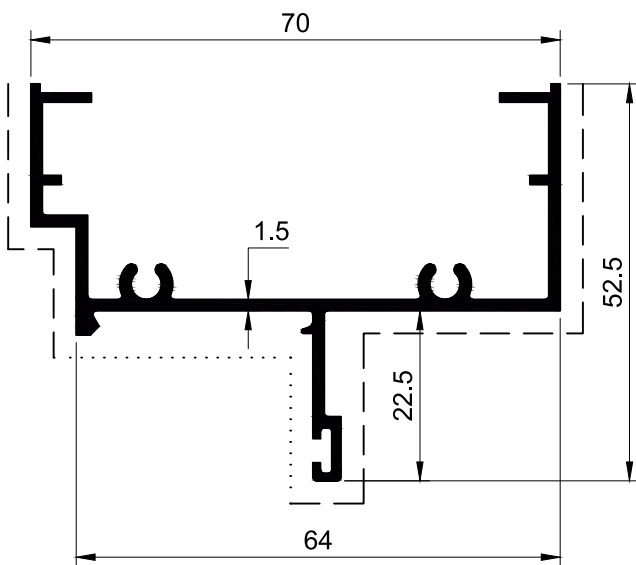
70mm Casement (1.5mm Thk.)



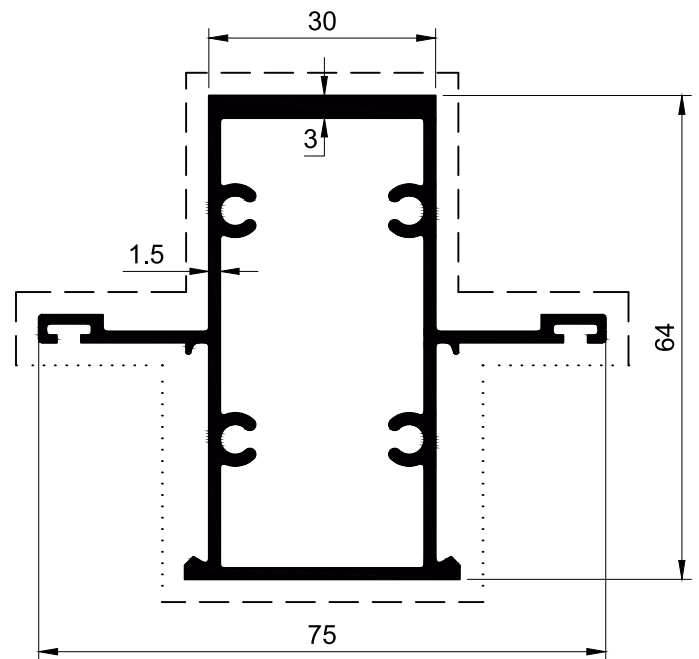
SECTION NO. - CA-1113
EST. WEIGHT - 0.888 KG./M.



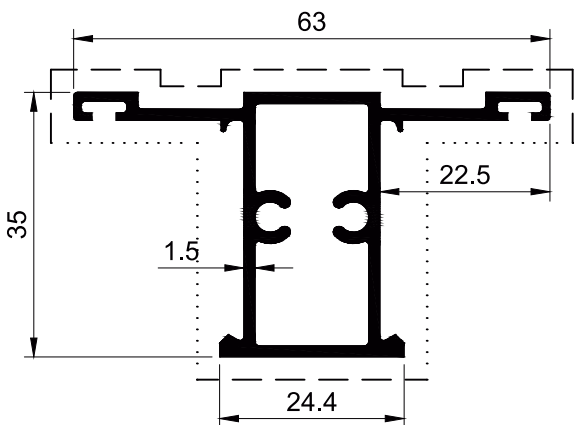
SECTION NO. - CA-1115
EST. WEIGHT - 1.073 KG./M.



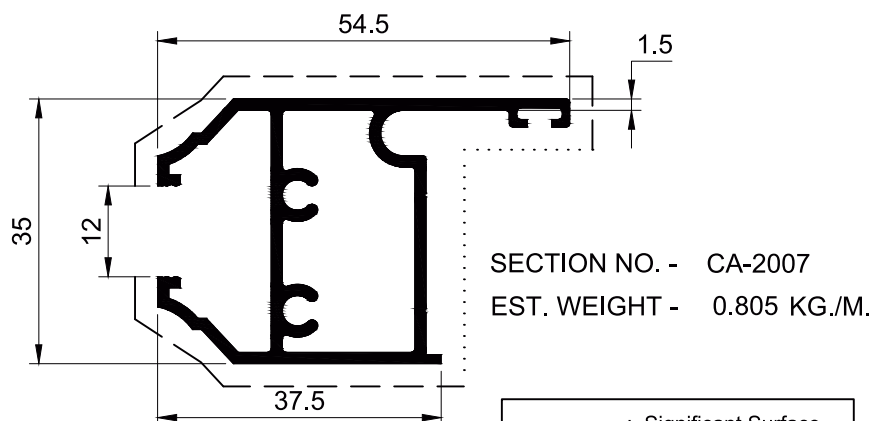
SECTION NO. - CA-1114
EST. WEIGHT - 0.788 KG./M.



SECTION NO. - CA-1118
EST. WEIGHT - 1.280 KG./M.



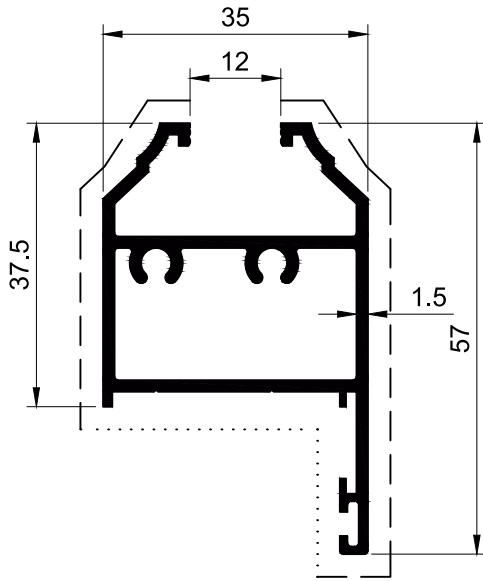
SECTION NO. - CA-1116
EST. WEIGHT - 0.756 KG./M.



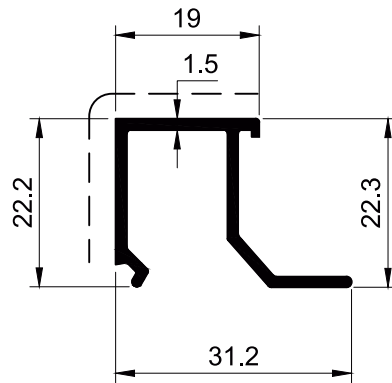
SECTION NO. - CA-2007
EST. WEIGHT - 0.805 KG./M.

----- : Significant Surface
..... : Insignificant Surface

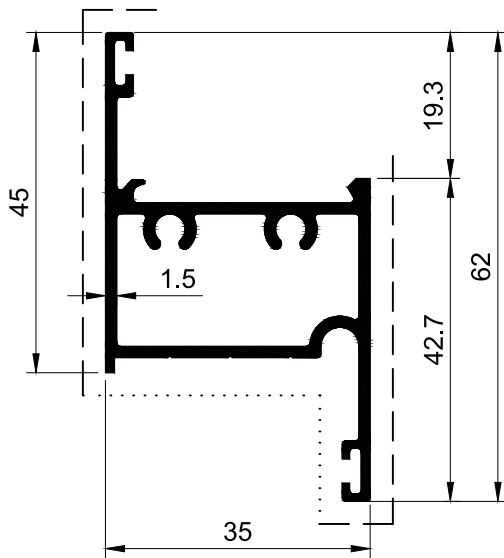
70mm Casement (1.5mm Thk.)



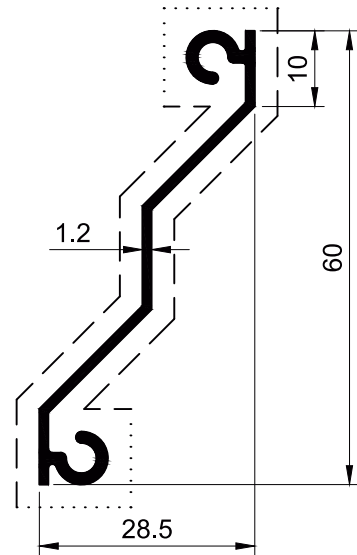
SECTION NO. - CA-2010
EST. WEIGHT - 0.803 KG./M.



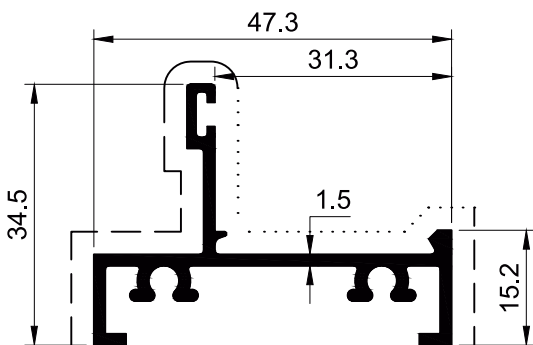
SECTION NO. - GL-110
EST. WEIGHT - 0.292 KG./M.



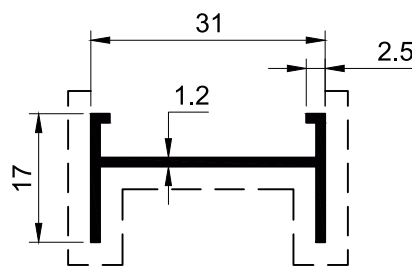
SECTION NO. - CA-2008
EST. WEIGHT - 0.766 KG./M.



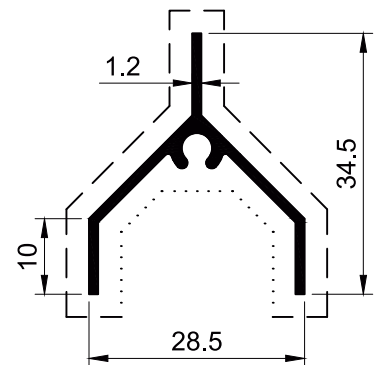
SECTION NO. - DG-03
EST. WEIGHT - 0.353 KG./M.



SECTION NO. - CA-1119
EST. WEIGHT - 0.540 KG./M.



SECTION NO. - DG-103
EST. WEIGHT - 0.212 KG./M.

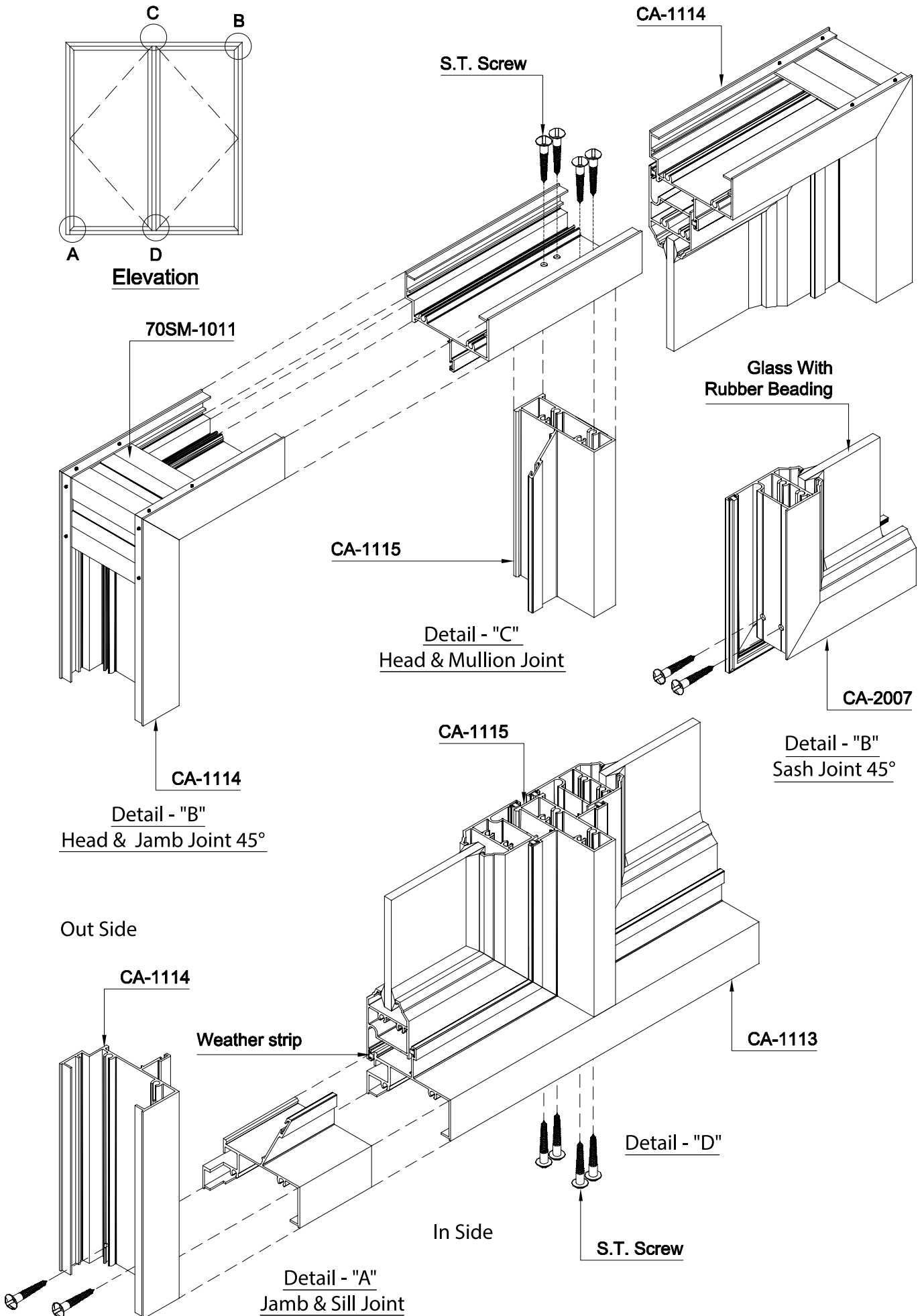


SECTION NO. - DG-04
EST. WEIGHT - 0.257 KG./M.

----- : Significant Surface
..... : Insignificant Surface

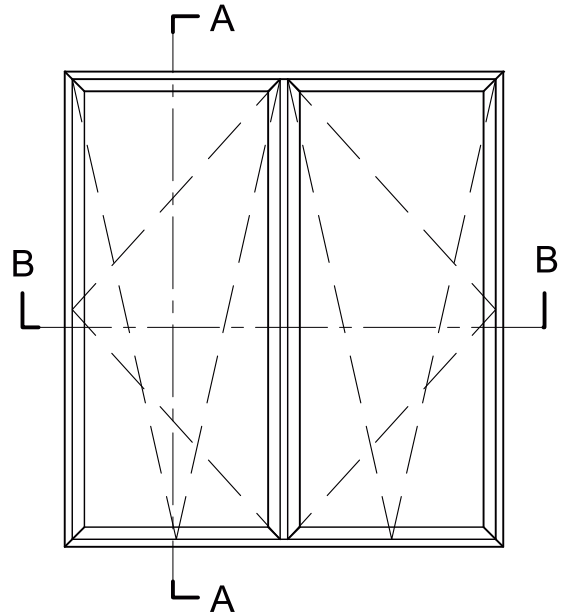
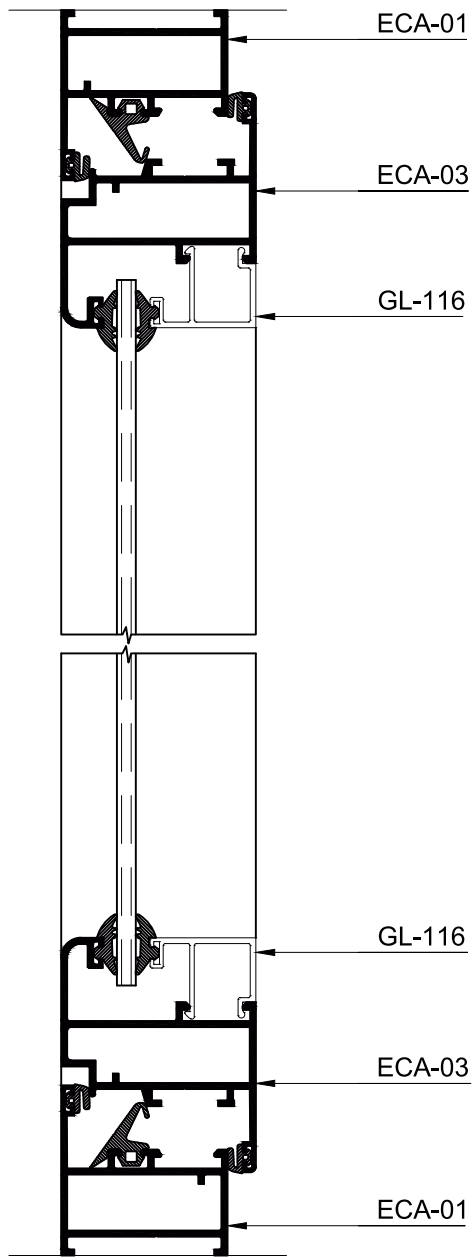
3D Assembly Detail Of 70mm Casement

Group 09
Page 05



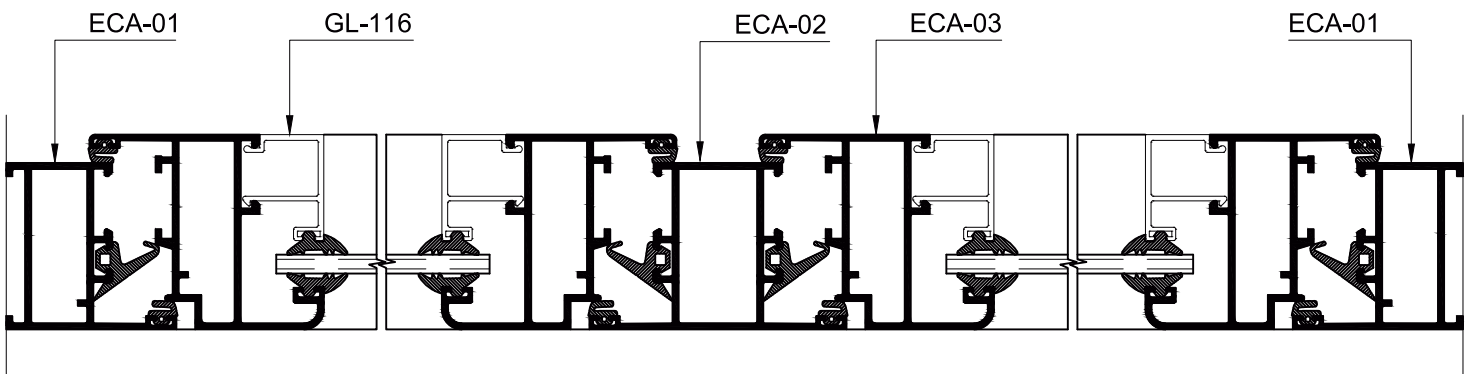
Tilt & Turn Window

Group 10
Page 01



ELEVATION

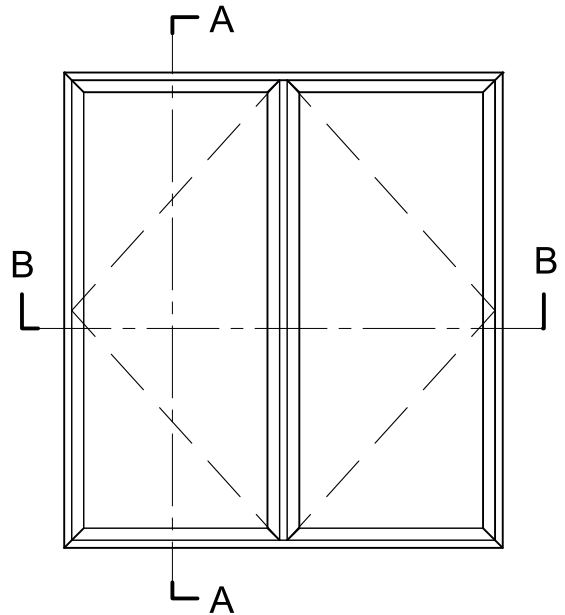
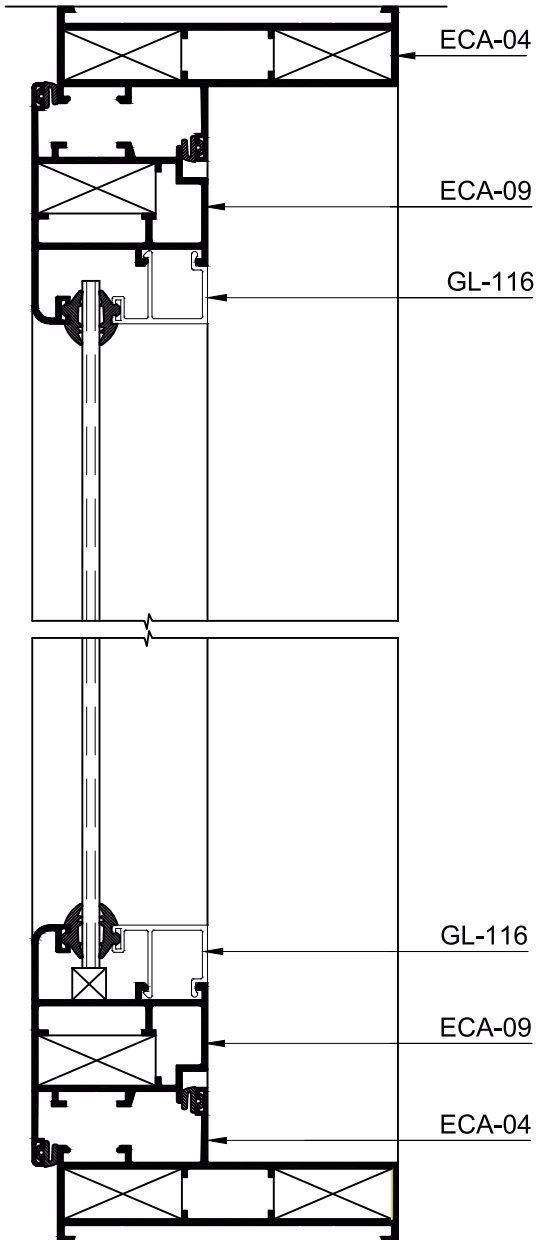
SECTION :- A-A



SECTION :- B-B

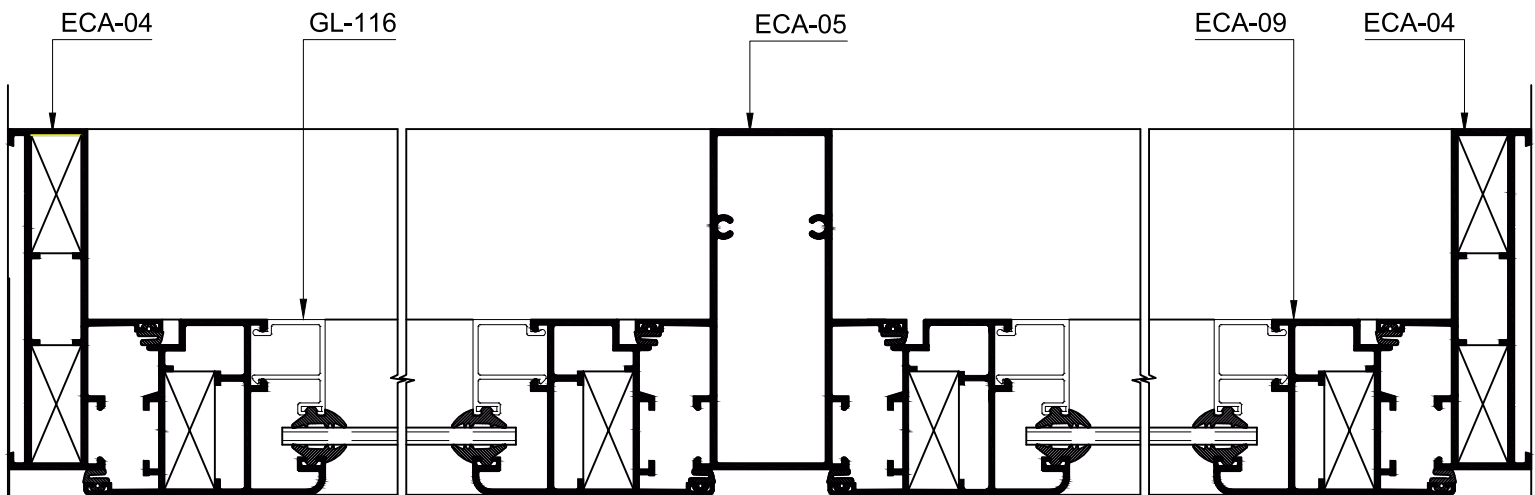
Swing Window

Group 10
Page 02



ELEVATION

SECTION :- A-A

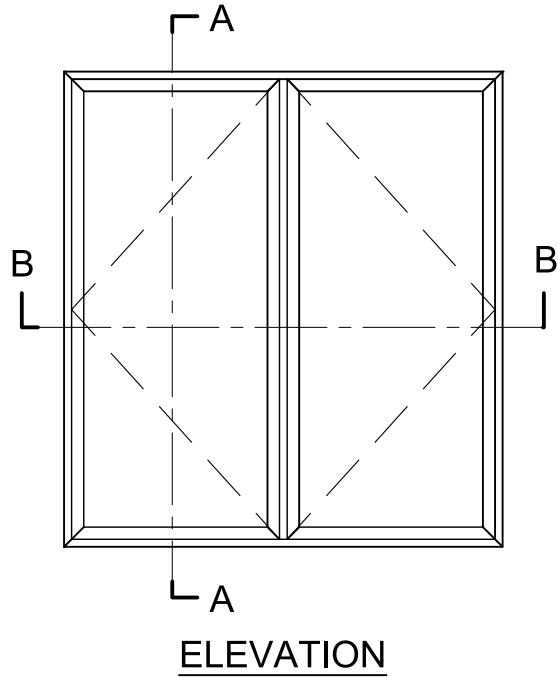
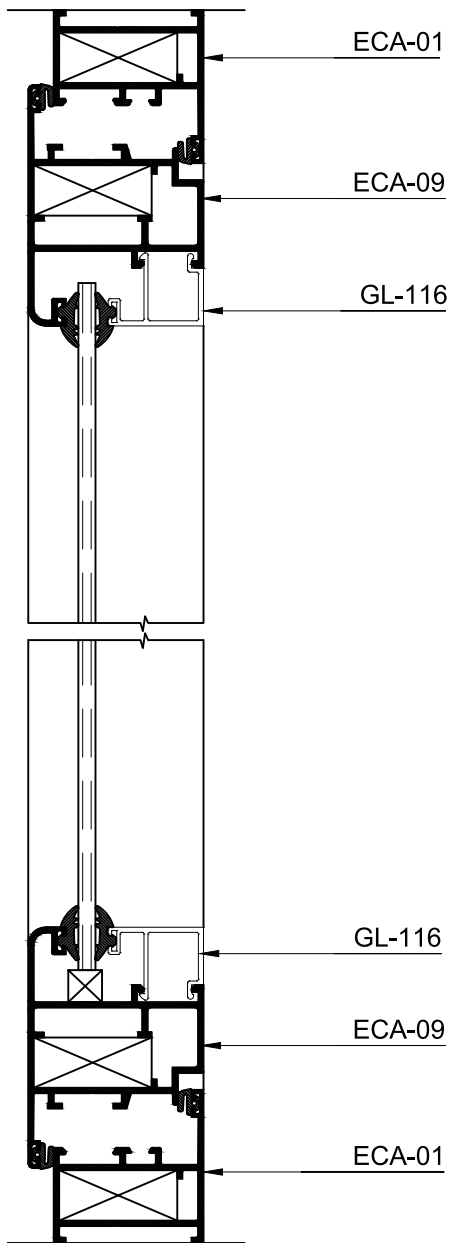


SECTION :- B-B

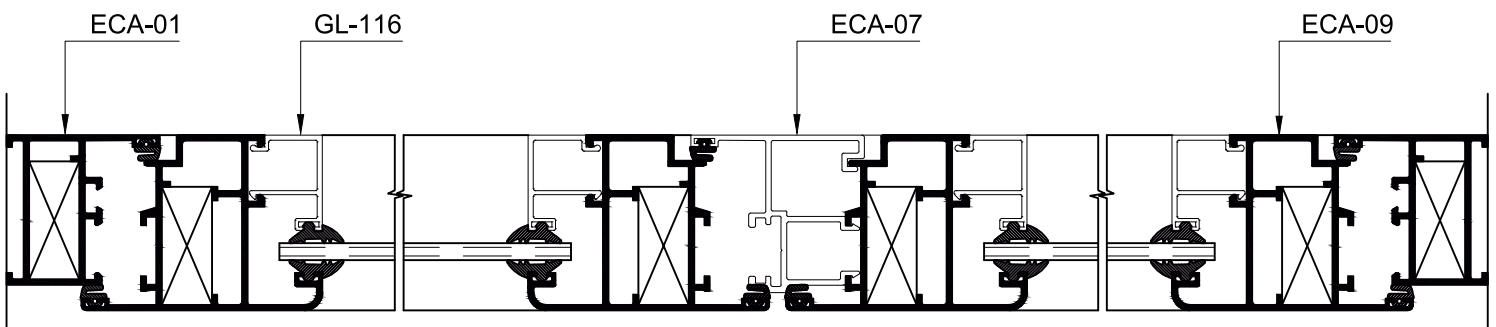
PERFORMANCE TESTS WERE CONDUCTED IN A UKAS ACCREDITED LAB

'C' Groove Mullion Fly Windows

Group 10
Page 03

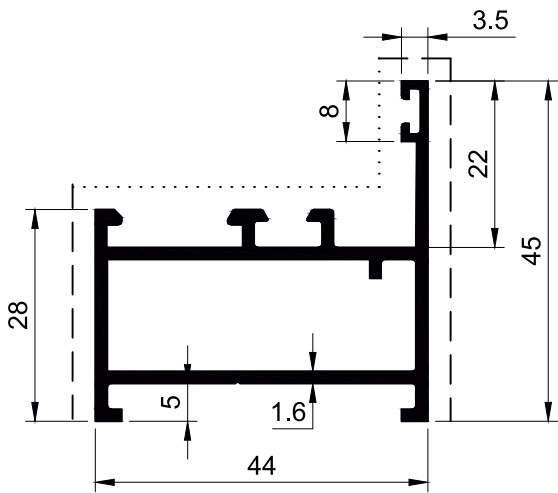


SECTION :- A-A

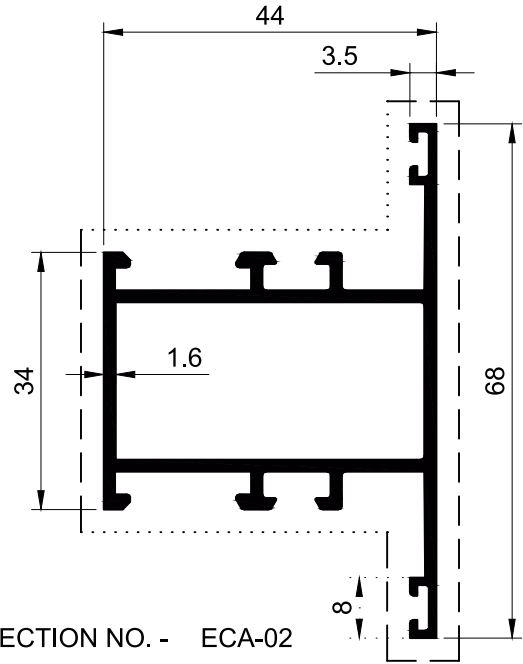


SECTION :- B-B

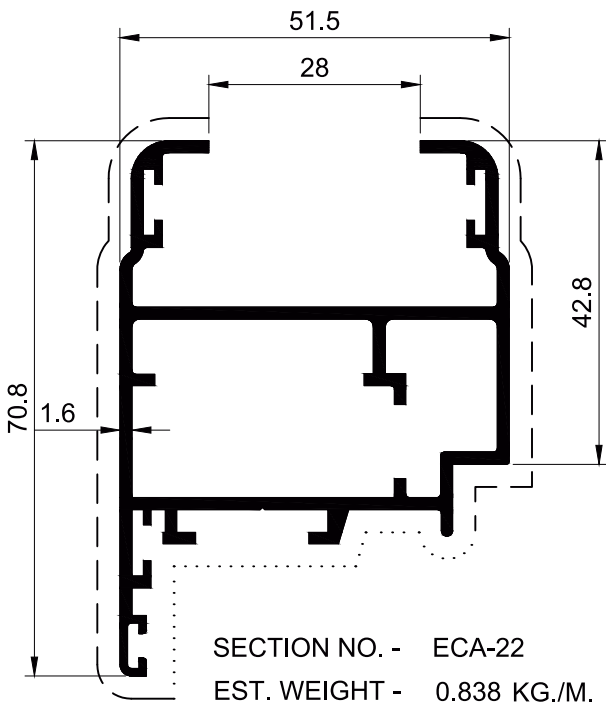
'C' Groove Casement Windows



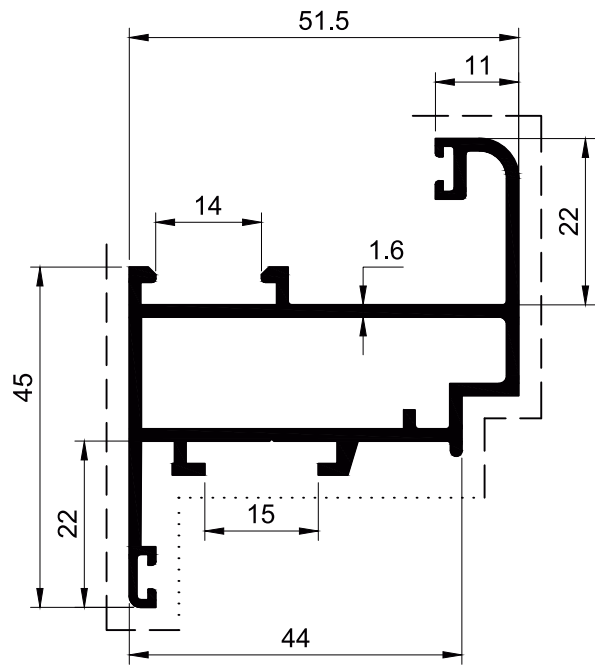
SECTION NO. - ECA-01
EST. WEIGHT - 0.772 KG./M.



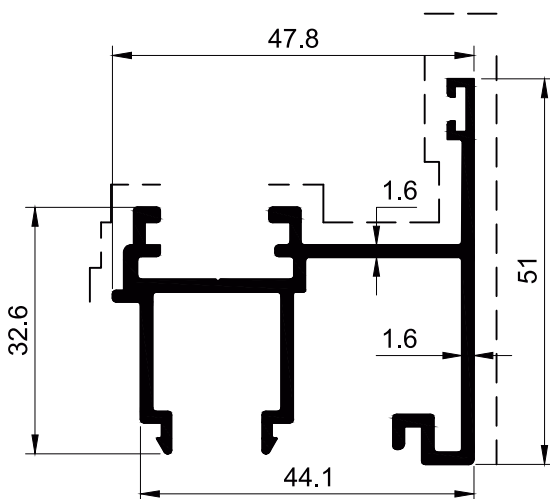
SECTION NO. - ECA-02
EST. WEIGHT - 0.948 KG./M.



SECTION NO. - ECA-22
EST. WEIGHT - 0.838 KG./M.



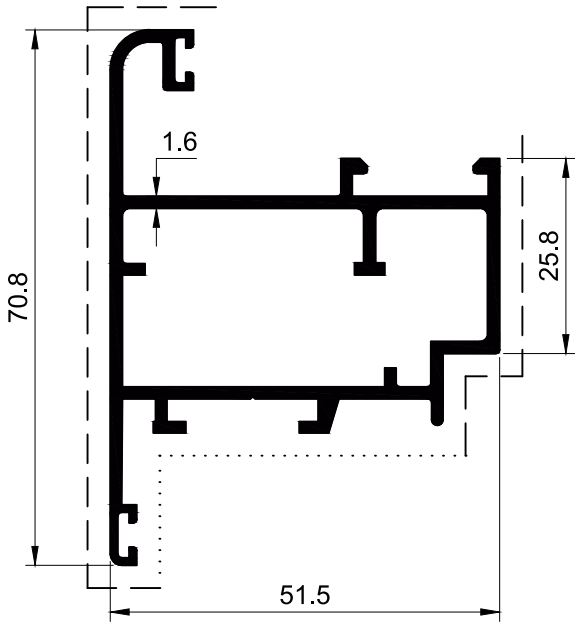
SECTION NO. - ECA-03
EST. WEIGHT - 0.980 KG./M.



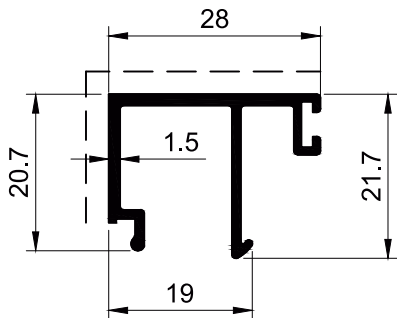
SECTION NO. - ECA-07
EST. WEIGHT - 0.838 KG./M.

----- : Significant Surface
..... : Insignificant Surface

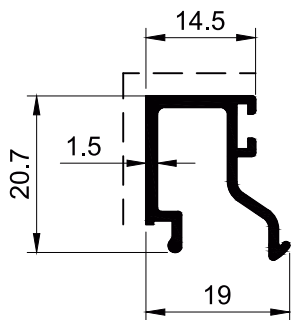
'C' Groove Casement Windows



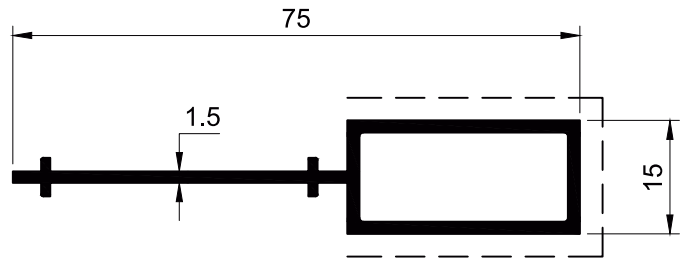
SECTION NO. - ECA-09
EST. WEIGHT - 1.124 KG./M.



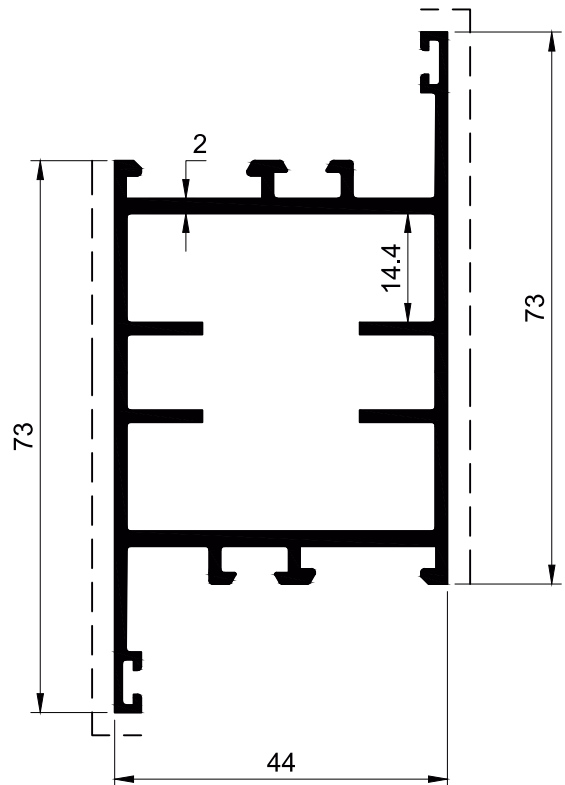
SECTION NO. - GL-116
EST. WEIGHT - 0.299 KG./M.
GLASS GAP - 12.5 MM



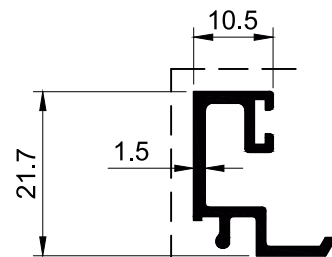
SECTION NO. - GL-118
EST. WEIGHT - 0.236 KG./M.
GLASS GAP - 26 MM



SECTION NO - ECA-16
EST. WEIGHT - 0.571 KG./M



SECTION NO - ECA-17
EST. WEIGHT - 1.401 KG./M

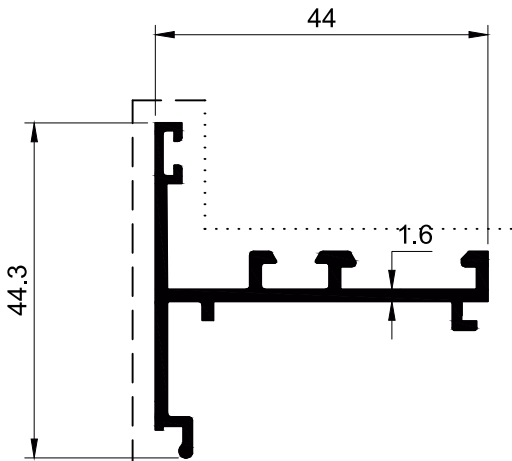
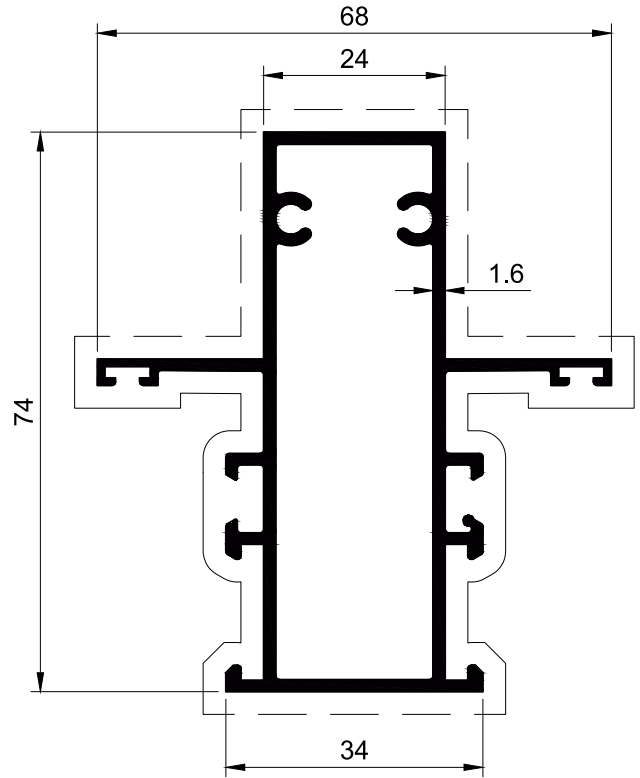
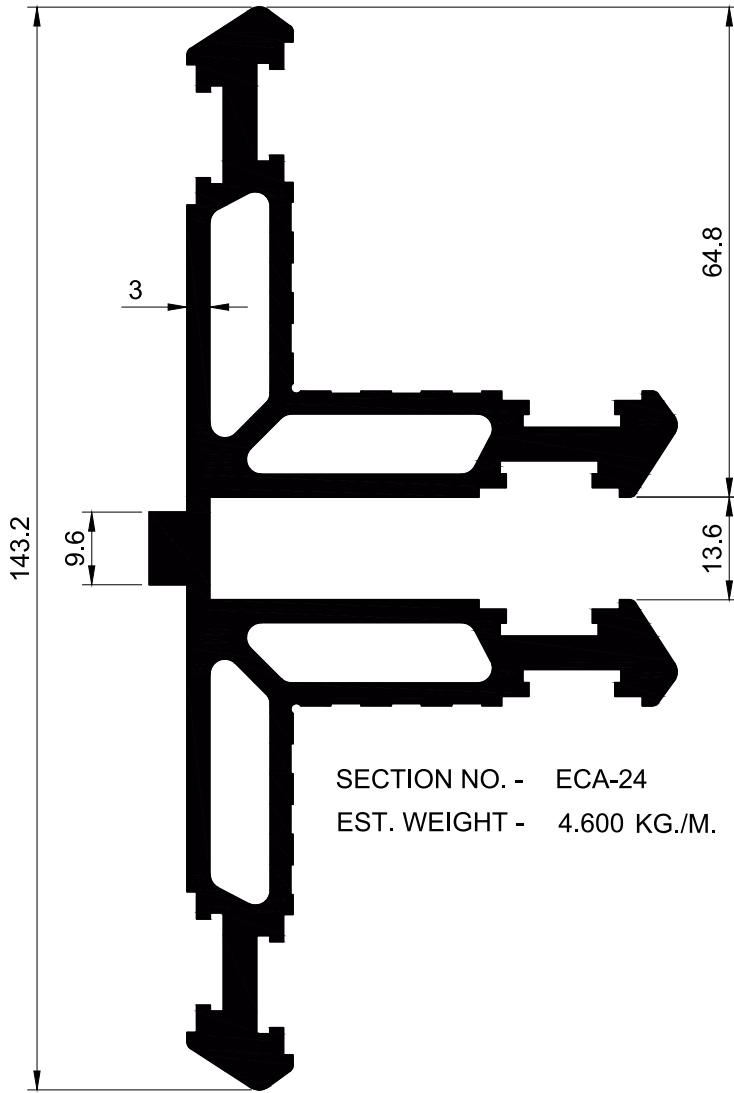


SECTION NO. - GL-121
EST. WEIGHT - 0.228 KG./M.
GLASS GAP - 30 MM

----- : Significant Surface
..... : Insignificant Surface

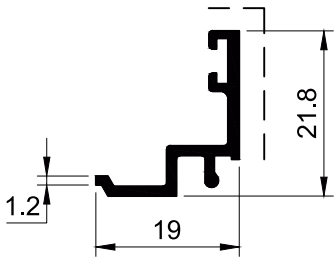
'C' Groove Casement Windows

Group 10
Page 06

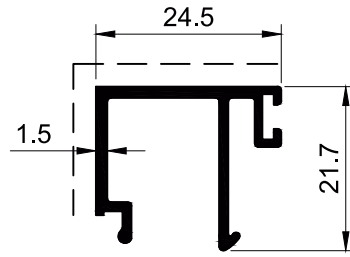


----- : Significant Surface
..... : Insignificant Surface

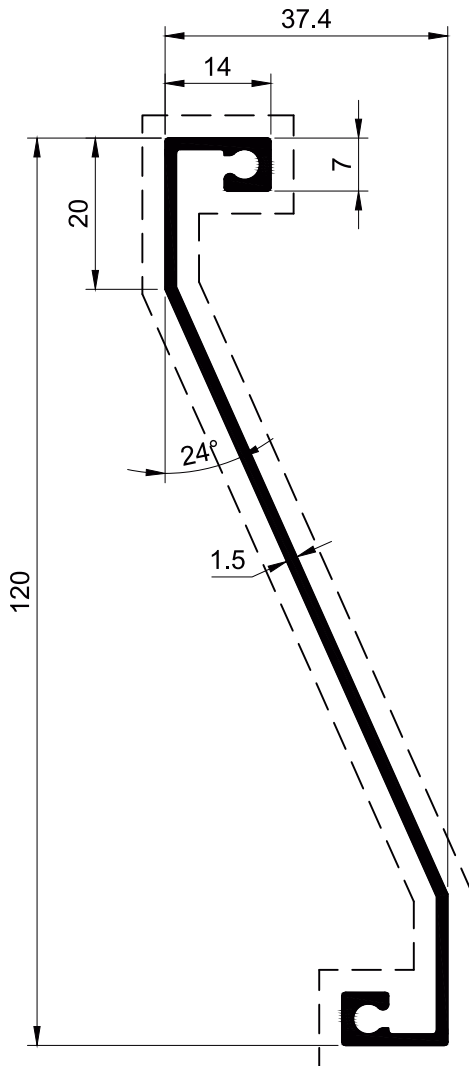
'C' Groove Casement Windows



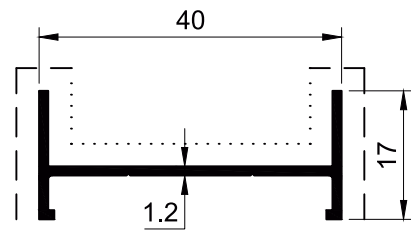
SECTION NO - GL-123
EST. WEIGHT - 0.187 KG./M
GLASS GAP - 36.5 MM



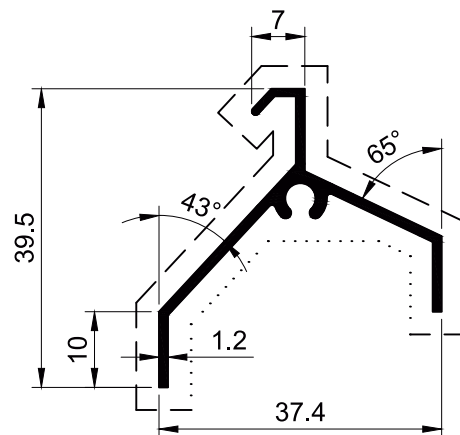
SECTION NO - GL-124
EST. WEIGHT - 0.285 KG./M
GLASS GAP - 16 MM



SECTION NO. - DG-05
EST. WEIGHT - 0.722 KG./M.



SECTION NO. - DG-104
EST. WEIGHT - 0.238 KG./M.

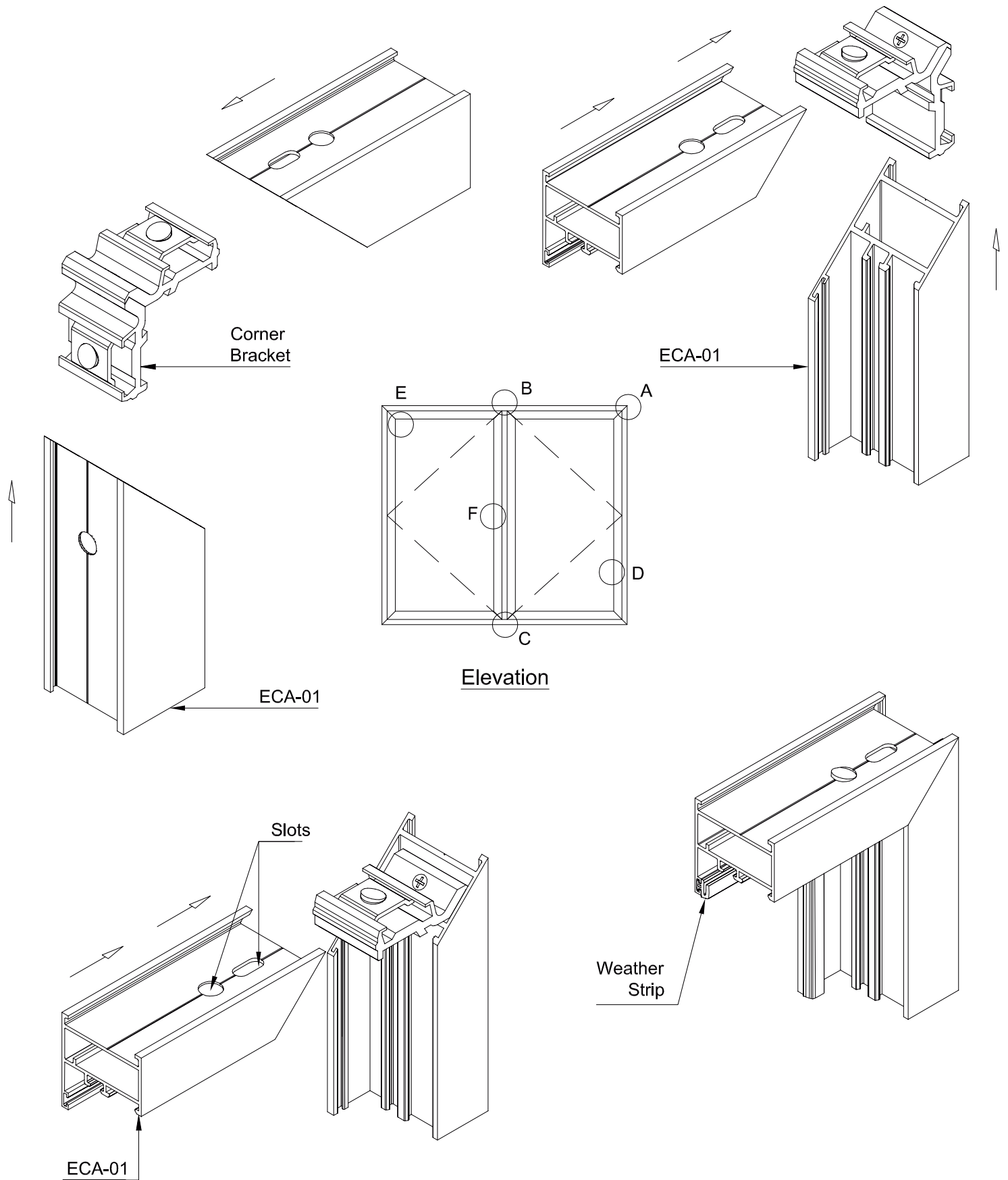


SECTION NO. - DG-06
EST. WEIGHT - 0.302 KG./M.

----- : Significant Surface
..... : Insignificant Surface

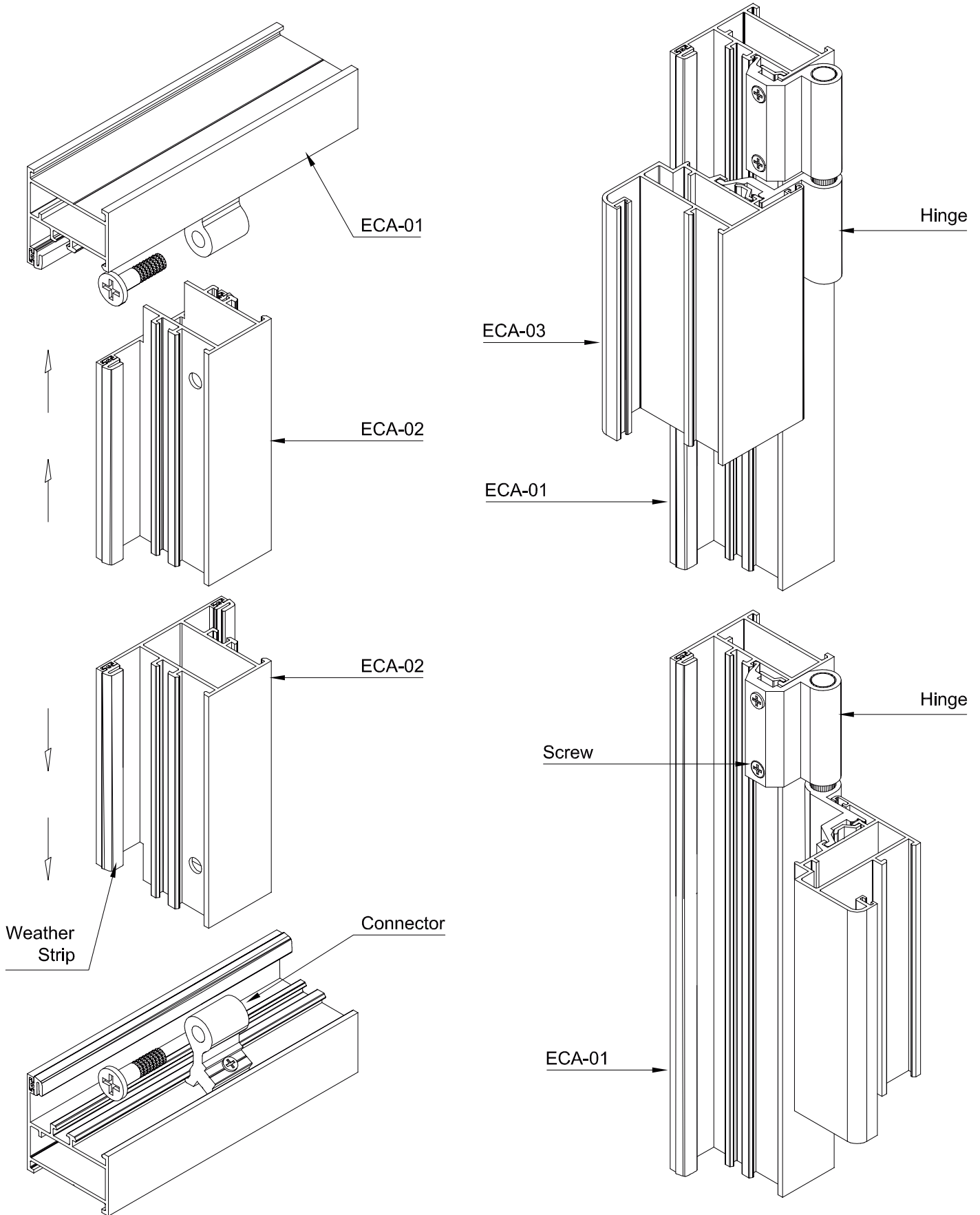
3D Assembly Detail Of 'C' Groove Casement

Group 10
Page 08



Detail - "A"
Head & Jamb Corner Joint 45°

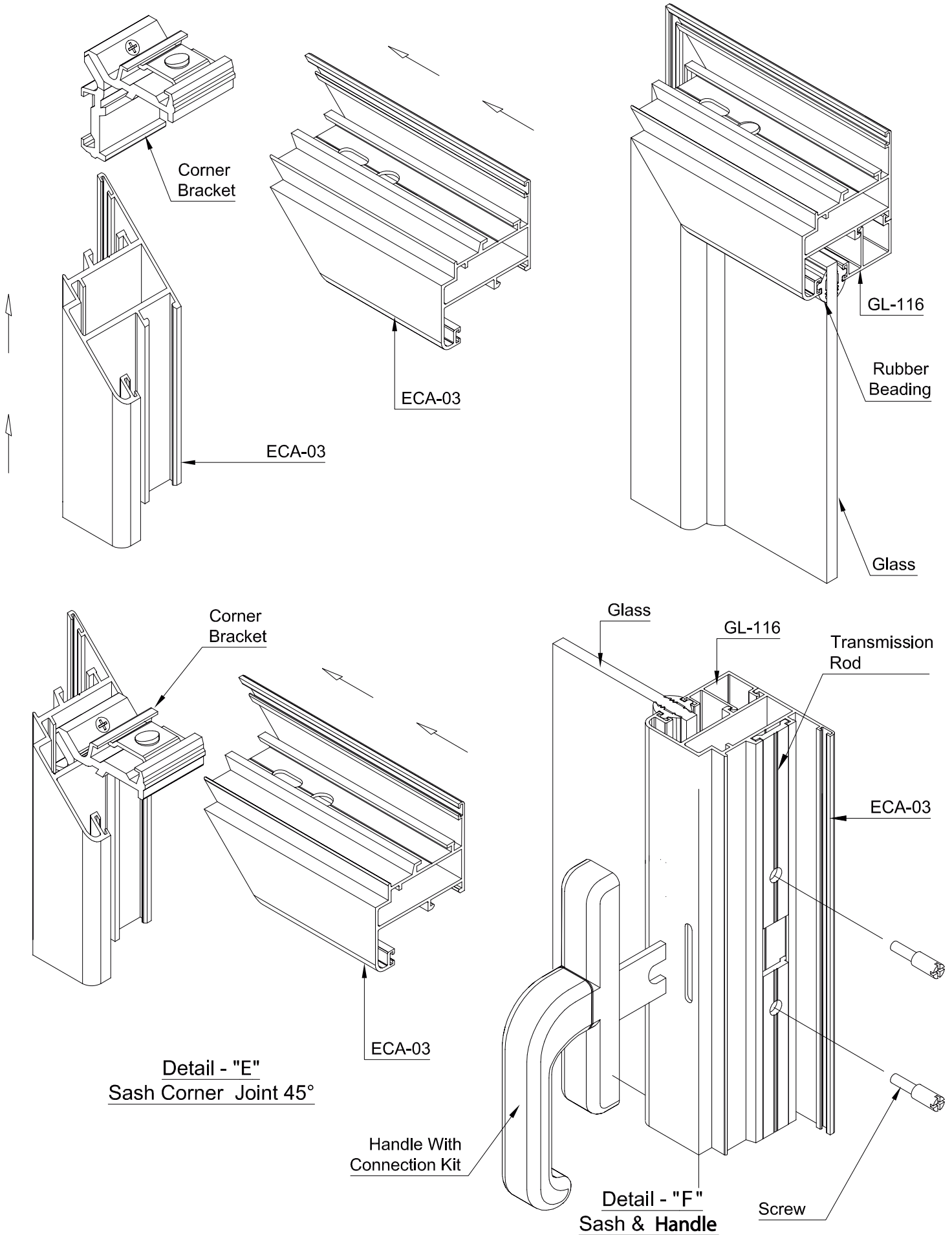
3D Assembly Detail Of 'C' Groove Casement

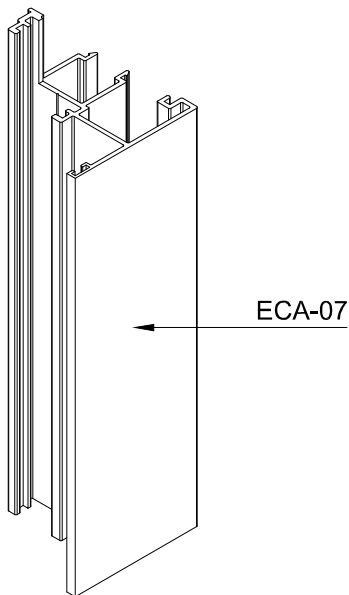
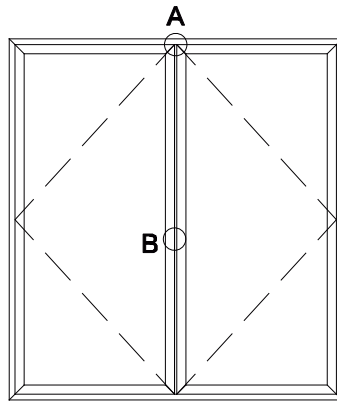
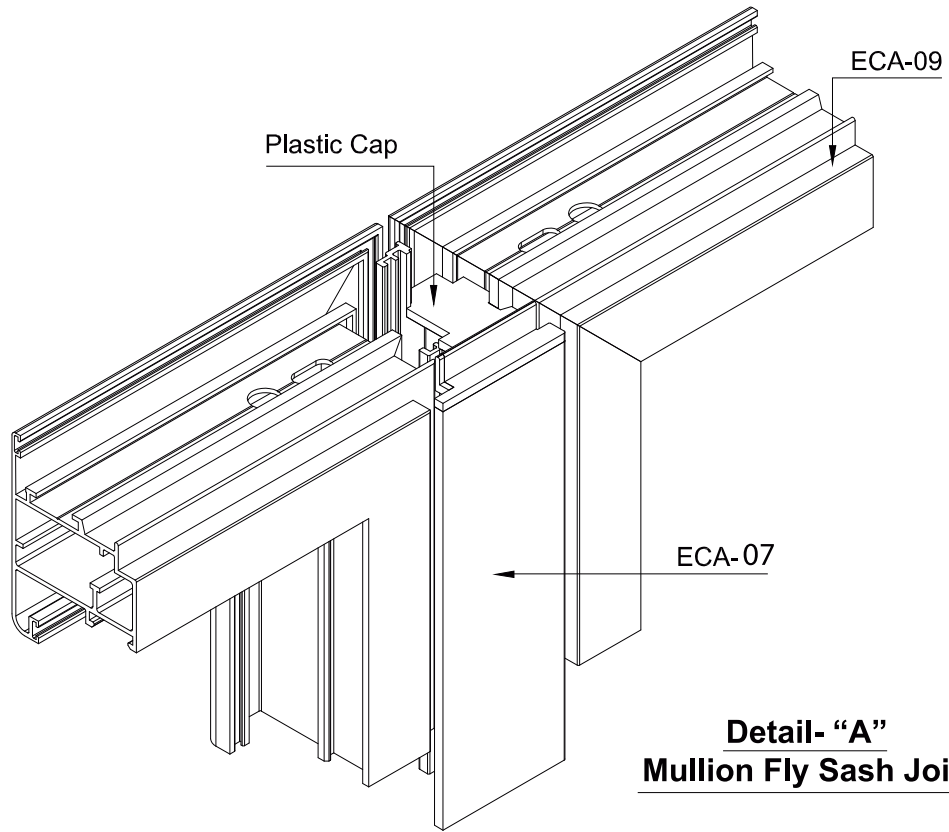


Detail - "B" & "C"
Head & Sill With Mullion Joint 90°

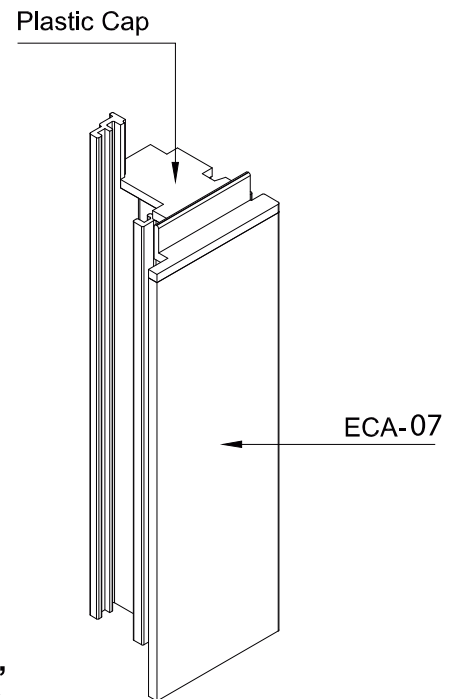
Detail - "D"
Jamb & Vent With Hinge Joint

3D Assembly Detail Of 'C' Groove Casement





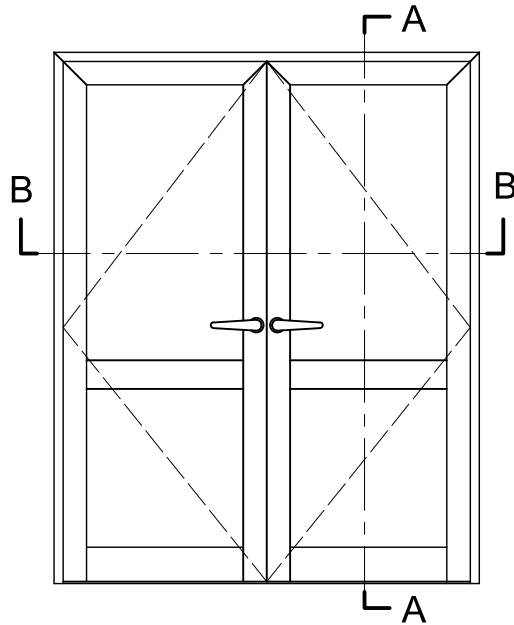
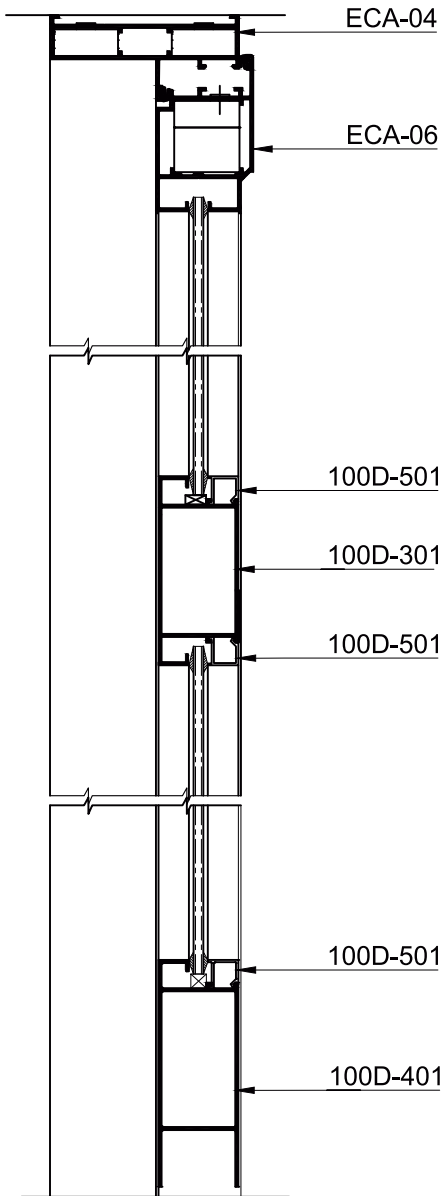
Detail- "B" Mullion Fly



Detail- "B" Plastic Cap with Mullion

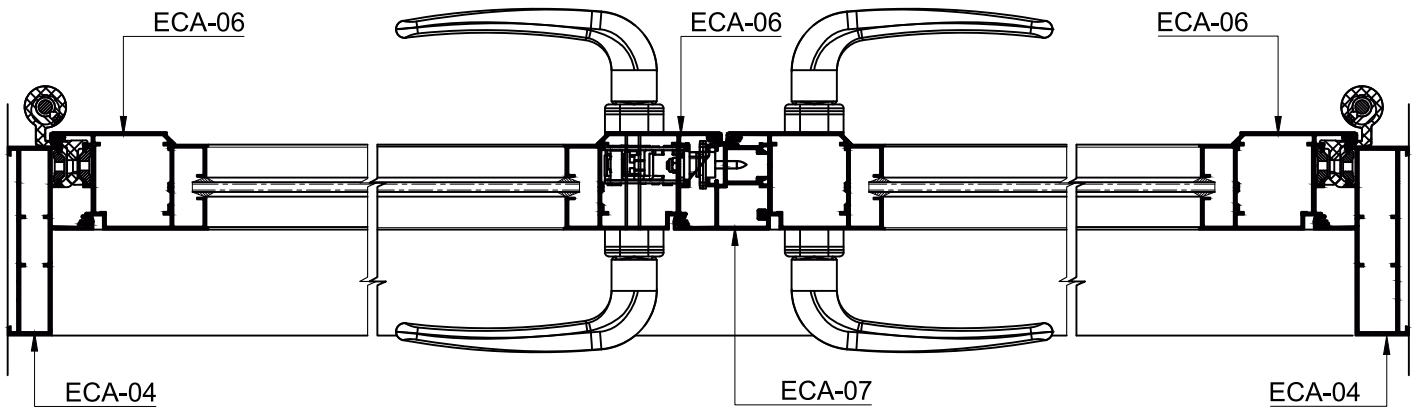
'C' Groove Door

Group 10
Page 12



ELEVATION

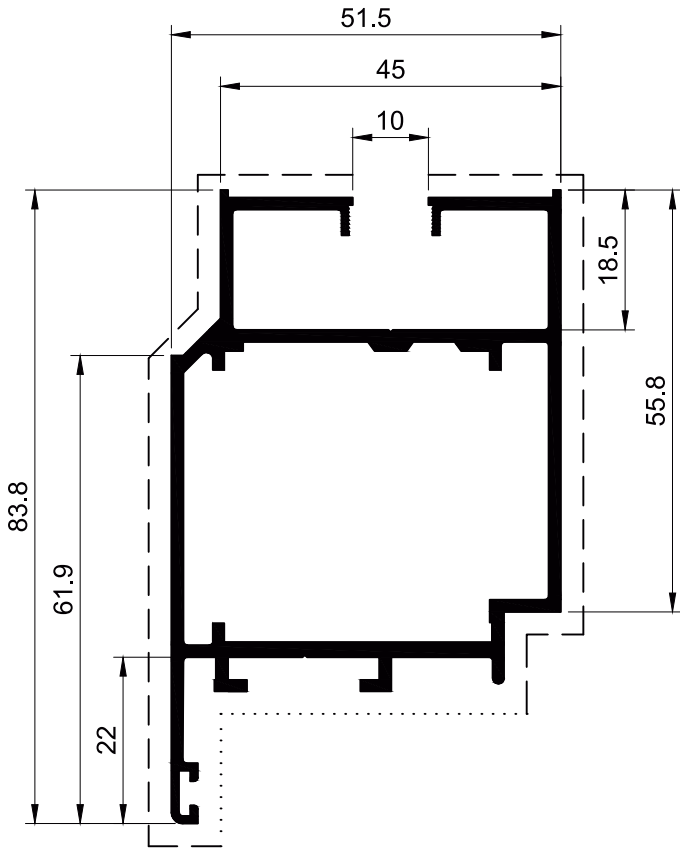
Section :- A-A



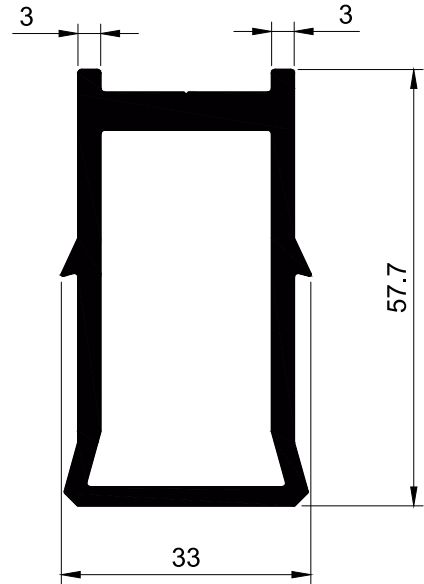
Section :- B-B

PERFORMANCE TESTS WERE CONDUCTED IN A UKAS ACCREDITED LAB

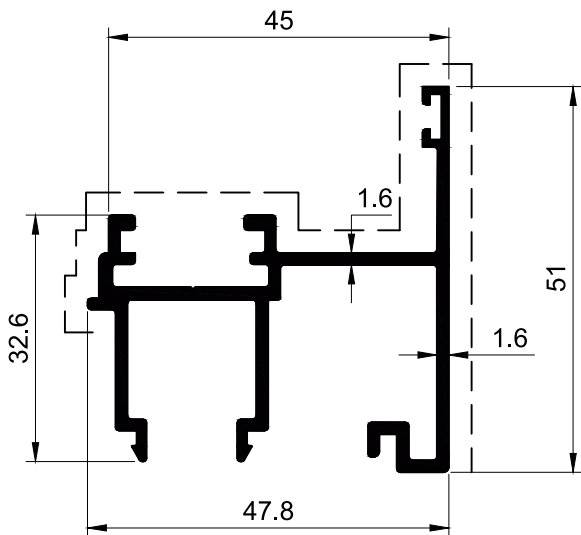
'C' Groove Door



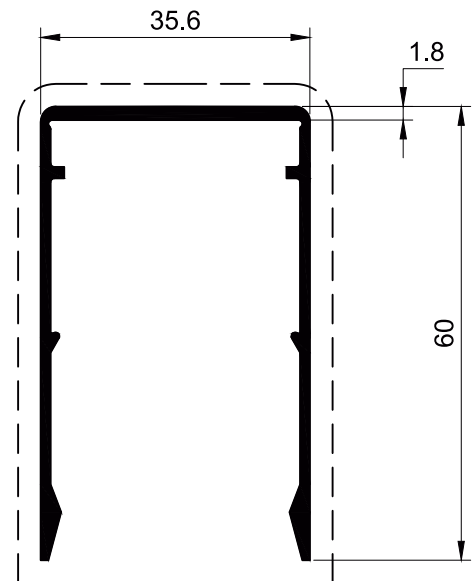
SECTION NO. - ECA-06
EST. WEIGHT - 1.393 KG./M.



SECTION NO. - ECA-18
EST. WEIGHT - 1.423 KG./M.



SECTION NO. - ECA-07
EST. WEIGHT - 0.838 KG./M.

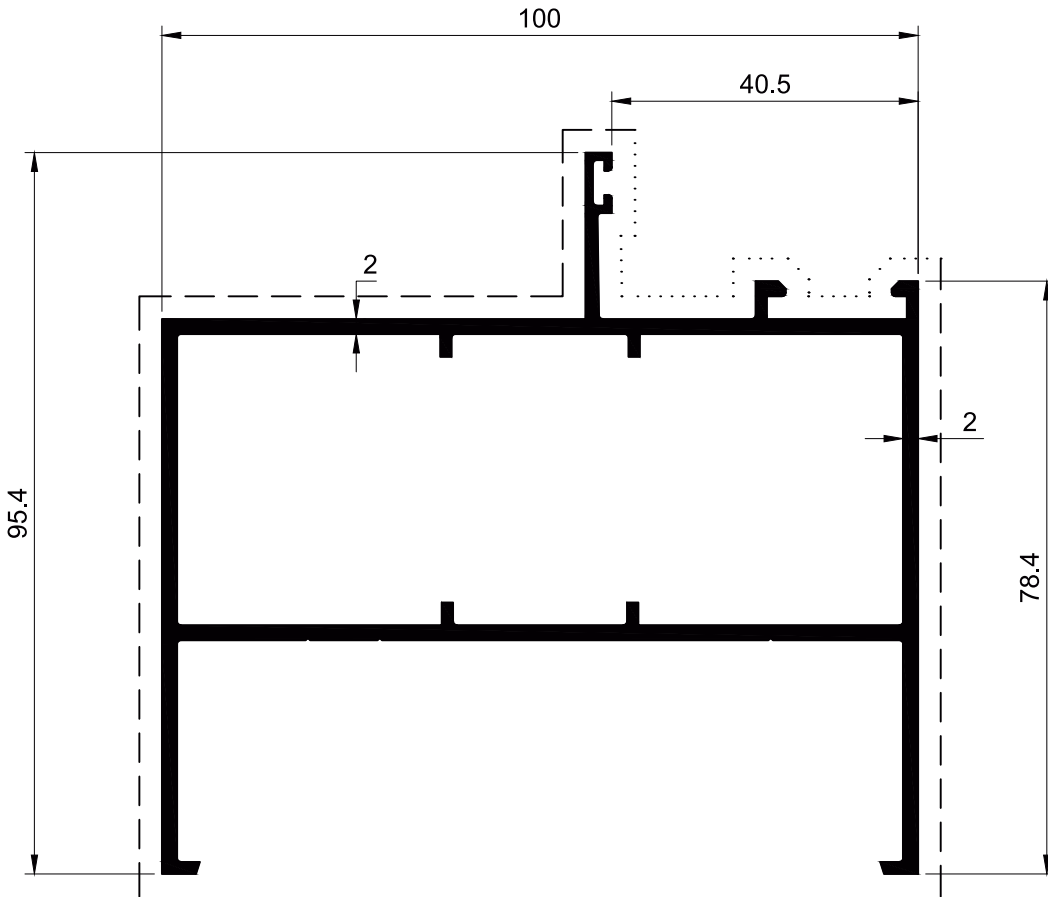


SECTION NO. - ECA-19
EST. WEIGHT - 0.632 KG./M.

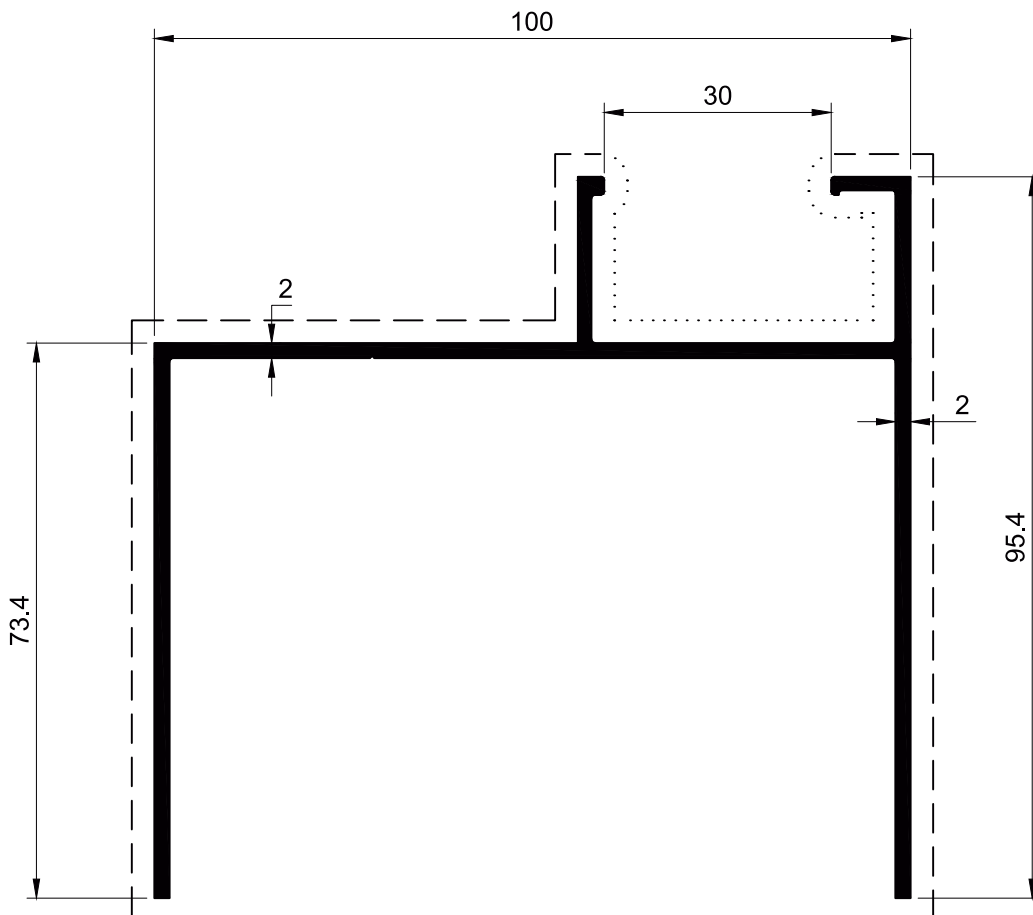
----- : Significant Surface
..... : Insignificant Surface

'C' Groove Door

Group 10
Page 14



SECTION NO. - ECA-20
EST. WEIGHT - 2.072 KG./M.

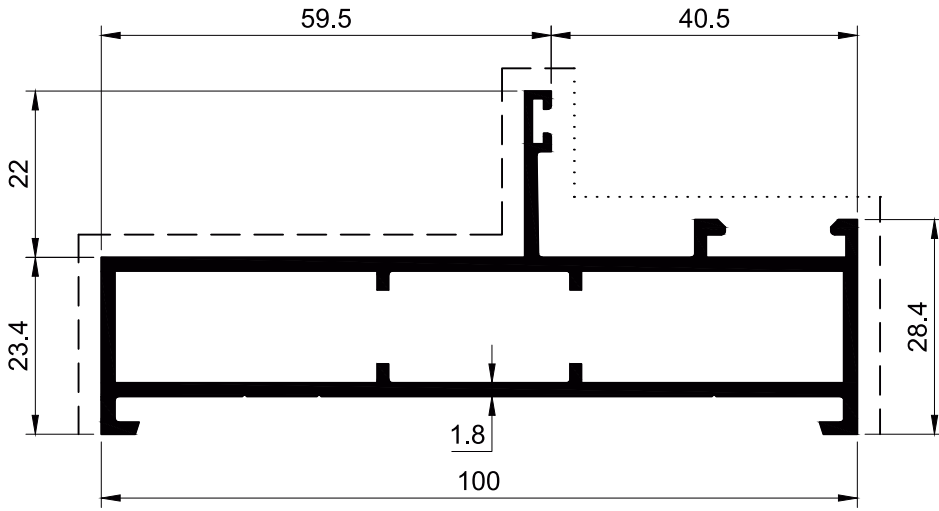


SECTION NO. - ECA-21
EST. WEIGHT - 1.591 KG./M.

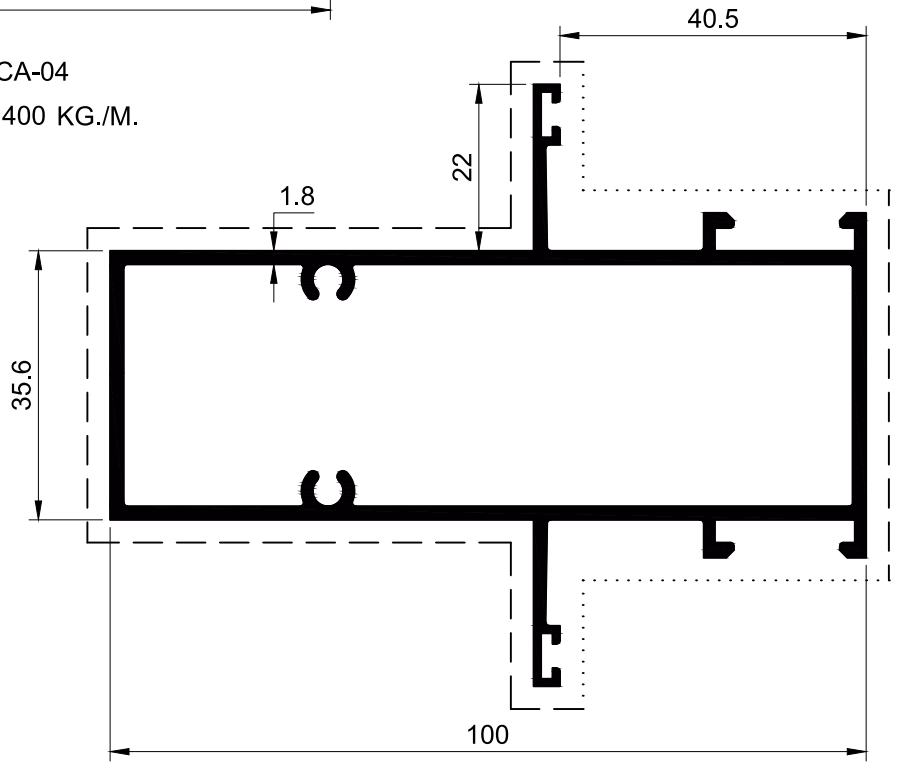
----- : Significant Surface
..... : Insignificant Surface

'C' Groove Door

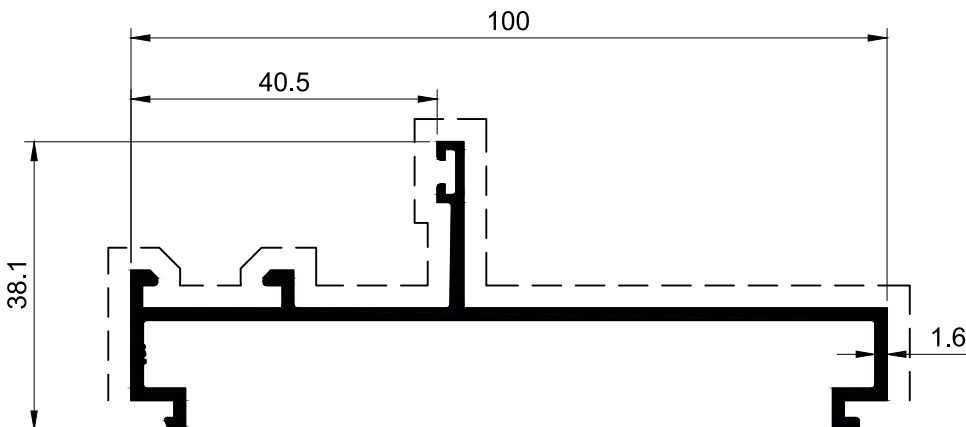
Group 10
Page 15



SECTION NO. - ECA-04
EST. WEIGHT - 1.400 KG./M.



SECTION NO. - ECA-05
EST. WEIGHT - 1.704 KG./M.

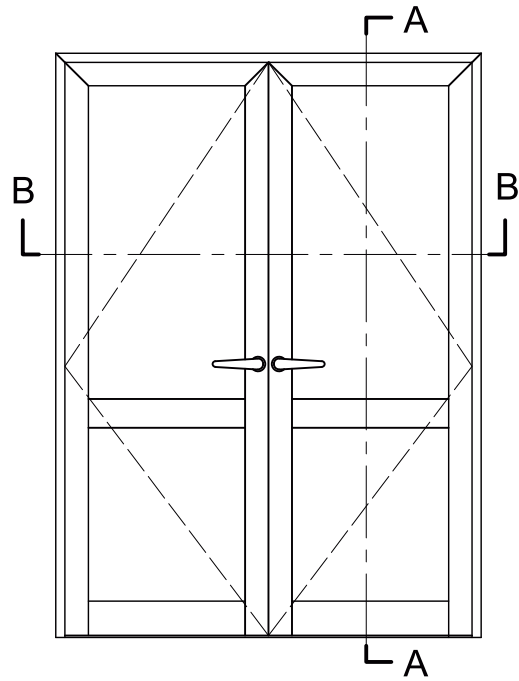
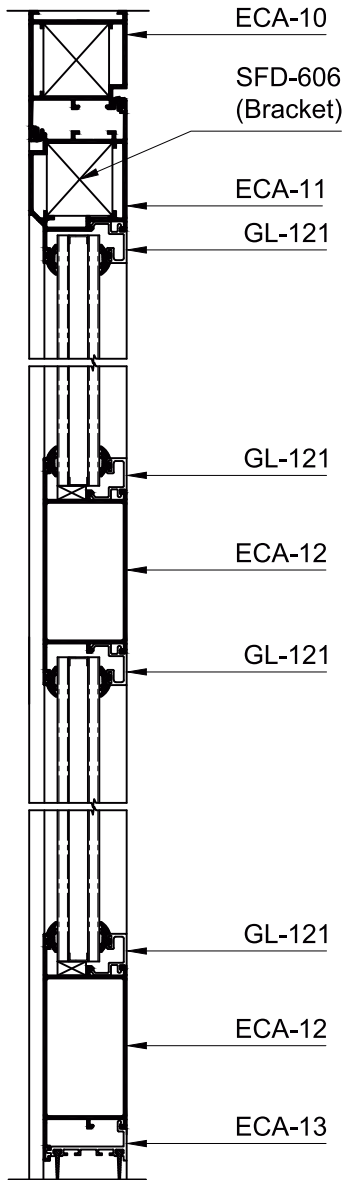


SECTION NO. - ECA-27
EST. WEIGHT - 0786 KG./M.

----- : Significant Surface
..... : Insignificant Surface

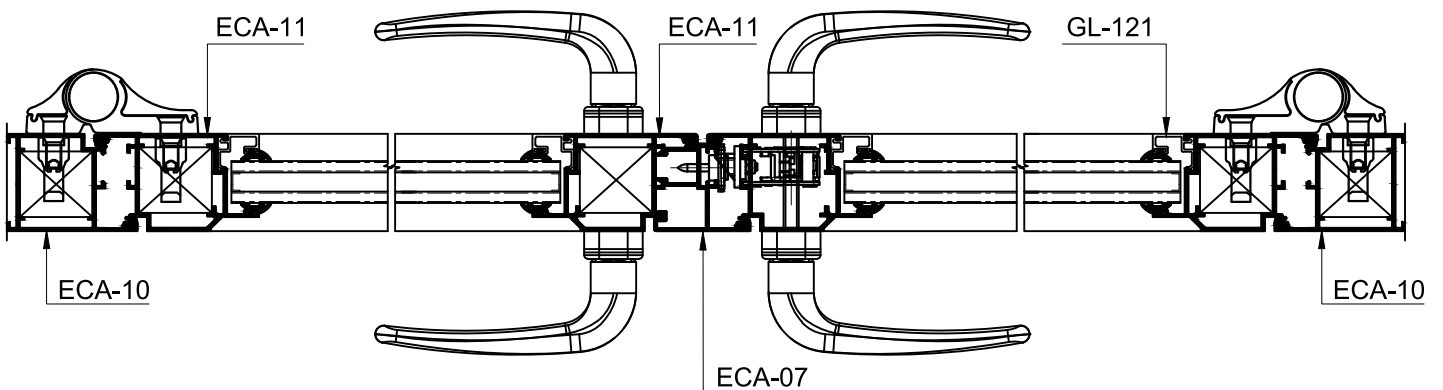
'C' Groove Door (Double Glazing)

Group 10
Page 16



ELEVATION

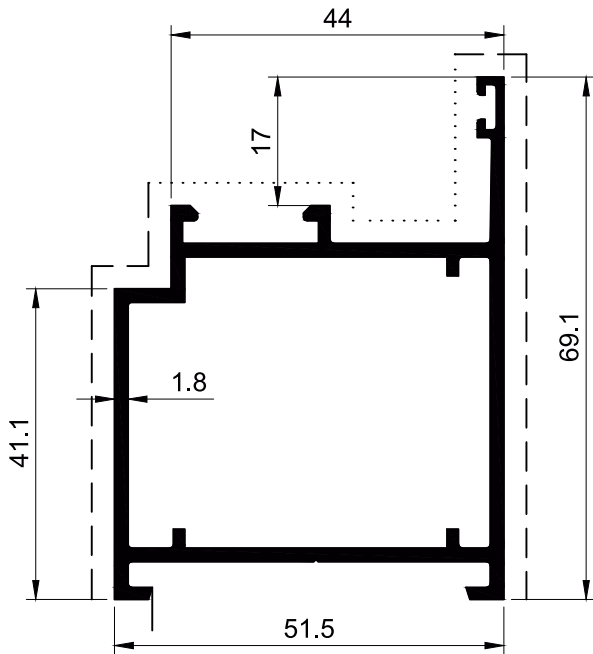
SECTION :- A - A



SECTION :- B - B

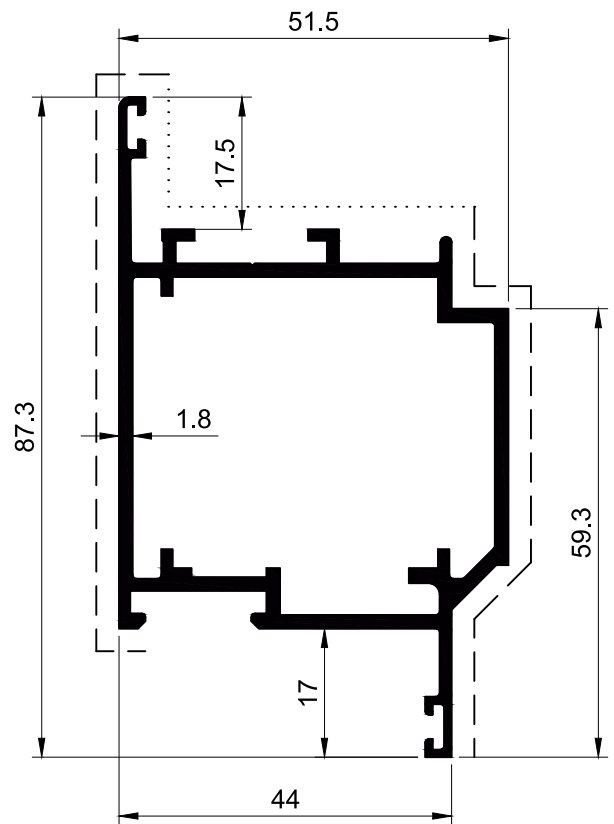
'C' Groove Door (Double Glazing)

Group 10
Page 17



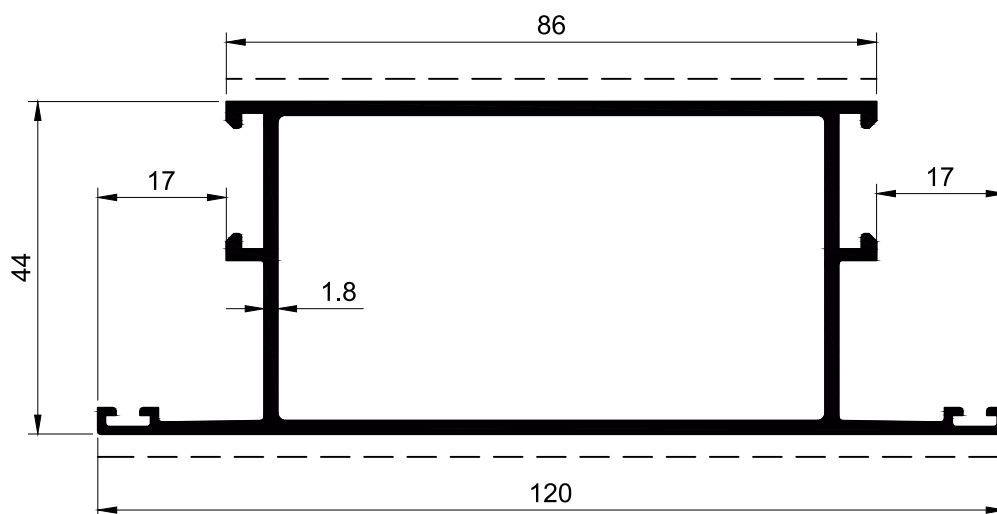
SECTION NO - ECA-10

EST. WEIGHT - 1.147 KG./M



SECTION NO - ECA-11

EST. WEIGHT - 1.300 KG./M



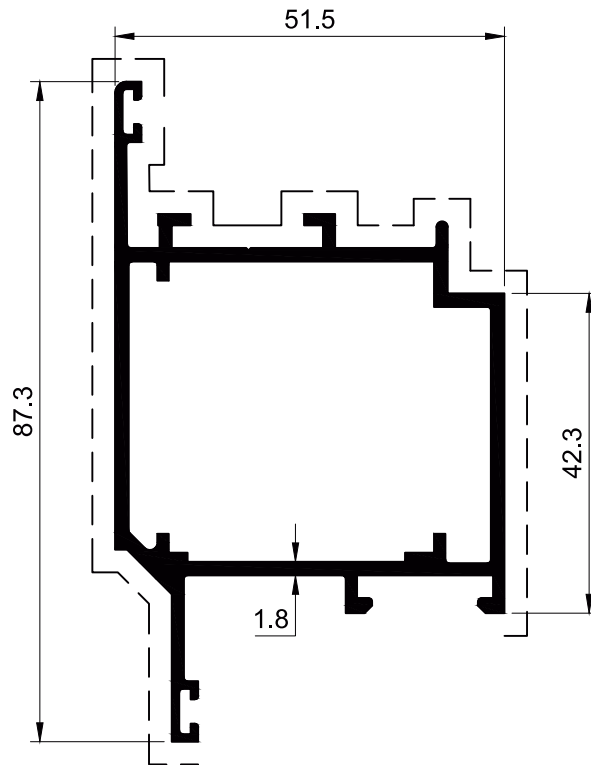
SECTION NO - ECA-12

EST. WEIGHT - 1.466 KG./M

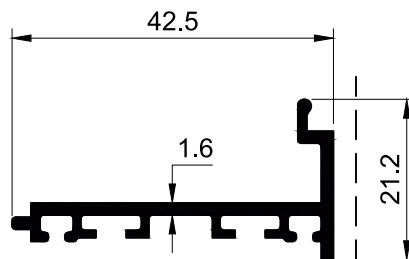
----- : Significant Surface
..... : Insignificant Surface

'C' Groove Door (Double Glazing)

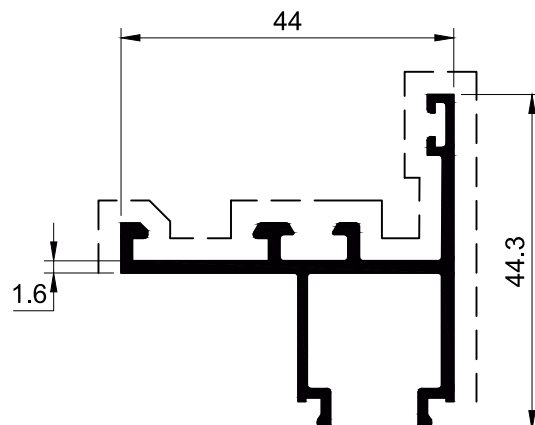
Group 10
Page 18



SECTION NO - ECA-14
EST. WEIGHT - 1.283 KG./M



SECTION NO - ECA-13
EST. WEIGHT - 0.361 KG./M

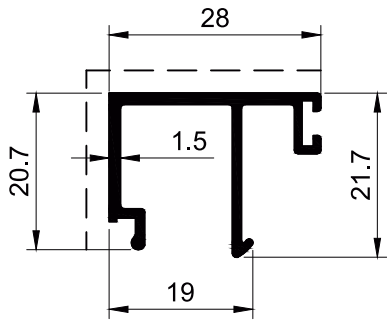


SECTION NO - ECA-15
EST. WEIGHT - 0.562 KG./M

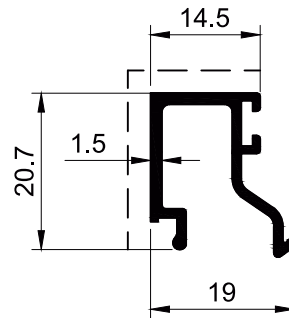
----- : Significant Surface
..... : Insignificant Surface

'C' Groove Door (Double Glazing)

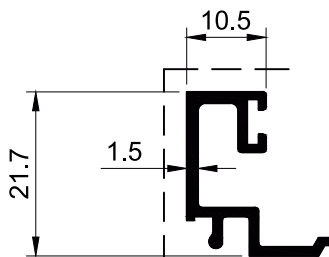
Group 10
Page 19



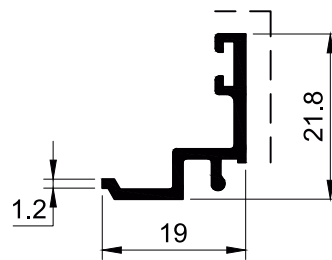
SECTION NO. - GL-116
EST. WEIGHT - 0.299 KG./M.
GLASS GAP - 12.5 MM



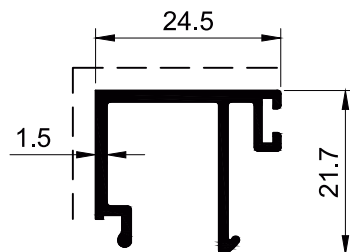
SECTION NO. - GL-118
EST. WEIGHT - 0.236 KG./M.
GLASS GAP - 26 MM



SECTION NO. - GL-121
EST. WEIGHT - 0.228 KG./M.
GLASS GAP - 30 MM



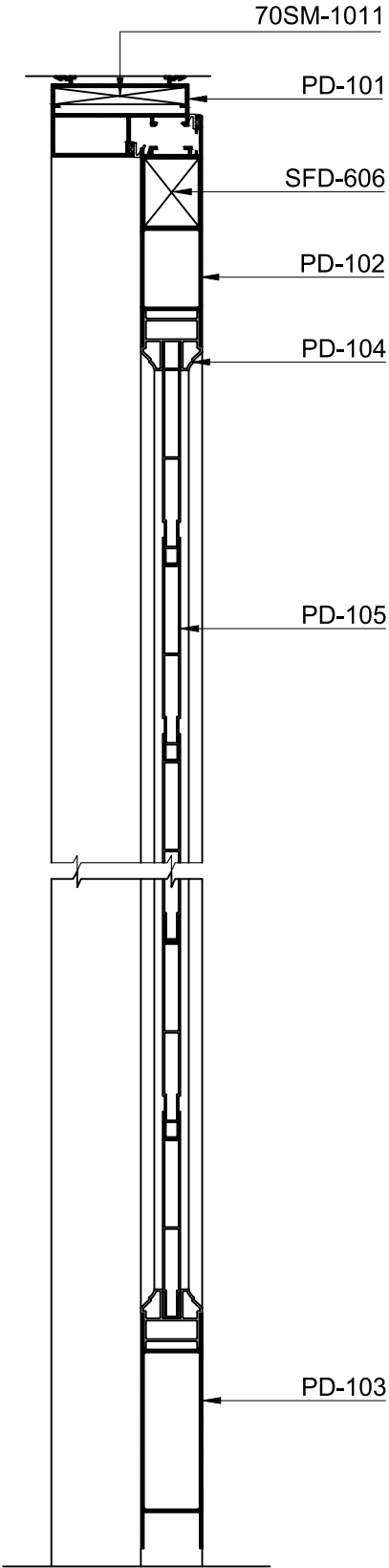
SECTION NO - GL-123
EST. WEIGHT - 0.187 KG./M
GLASS GAP - 36.5 MM



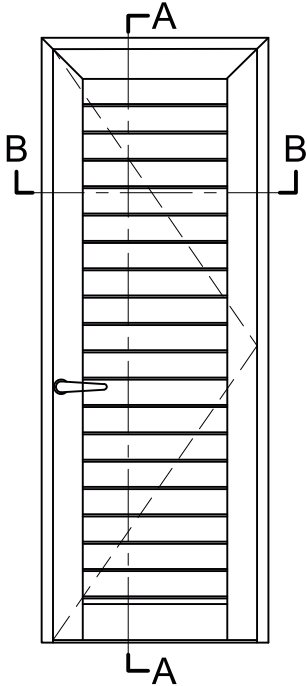
SECTION NO - GL-124
EST. WEIGHT - 0.285 KG./M
GLASS GAP - 16 MM

----- : Significant Surface
..... : Insignificant Surface

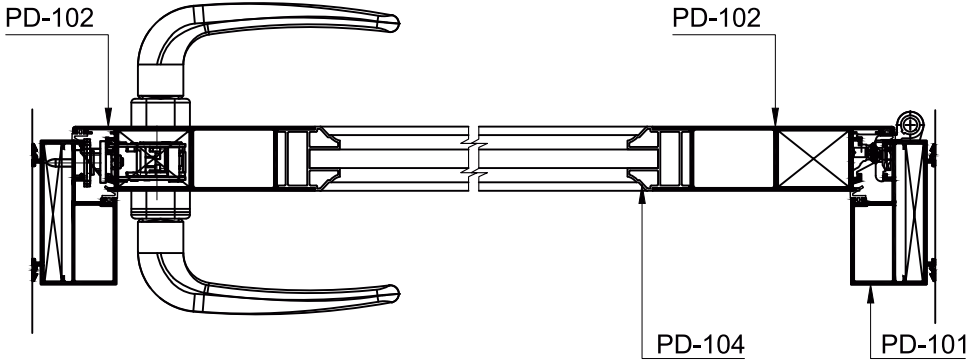
Panel Door



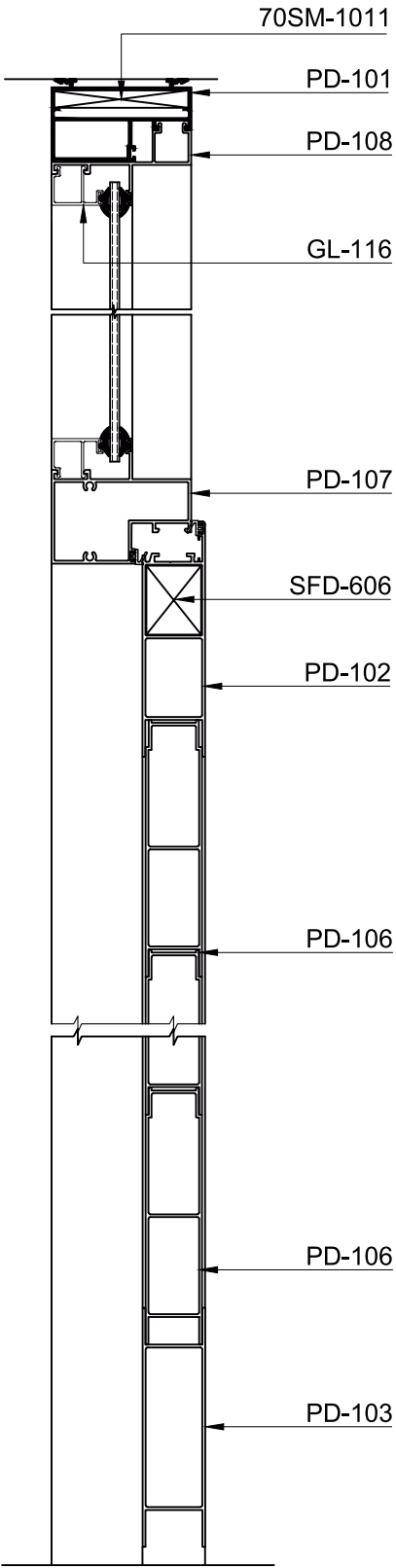
SECTION :- A - A



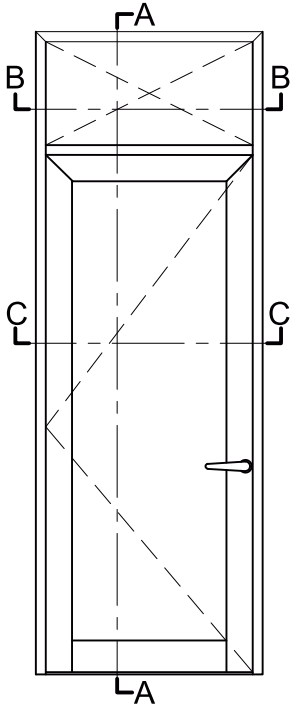
ELEVATION



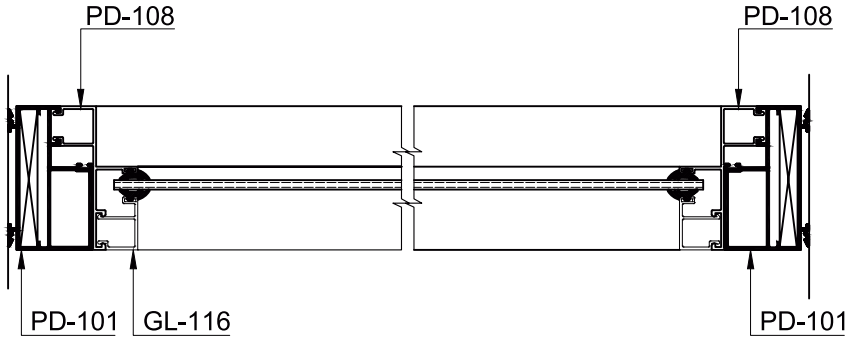
SECTION :- B - B



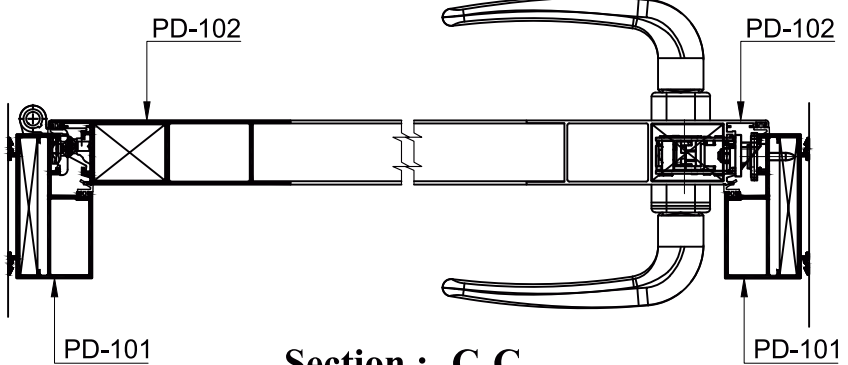
Section :- A-A



ELEVATION



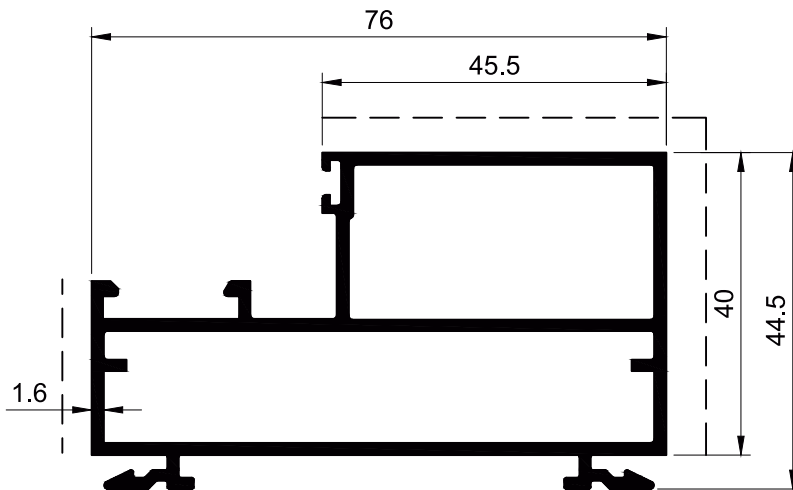
Section :- B-B



Section :- C-C

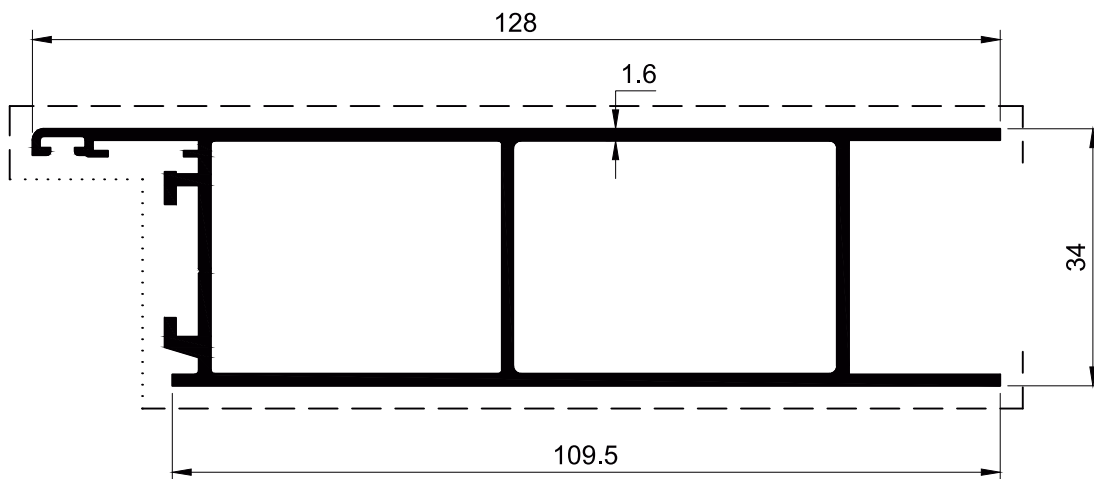
Panel Door

Group 10
Page 22



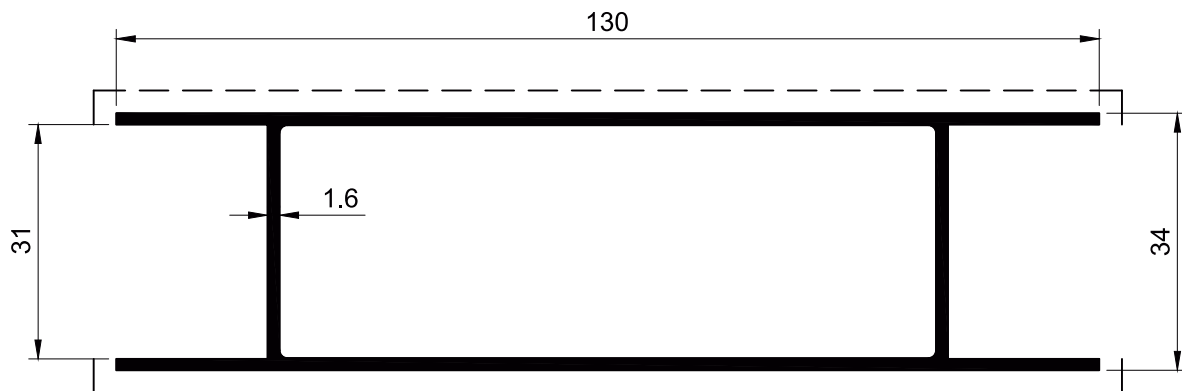
SECTION NO. - PD-101

EST. WEIGHT - 1.370 KG./M.



SECTION NO. - PD-102

EST. WEIGHT - 1.485 KG./M.

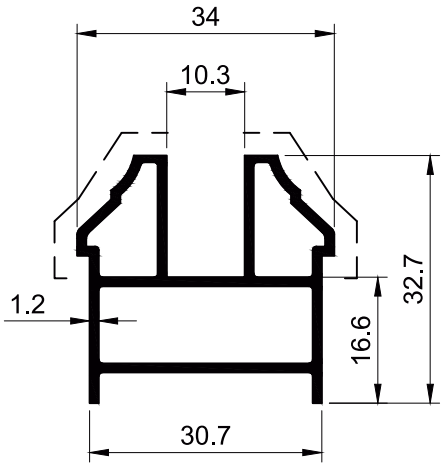


SECTION NO. - PD-103

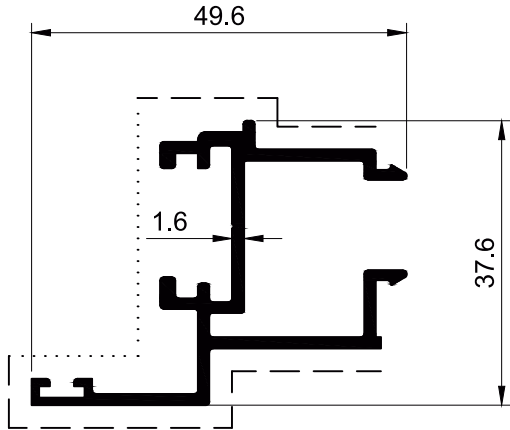
EST. WEIGHT - 1.370 KG./M.

----- : Significant Surface
..... : Insignificant Surface

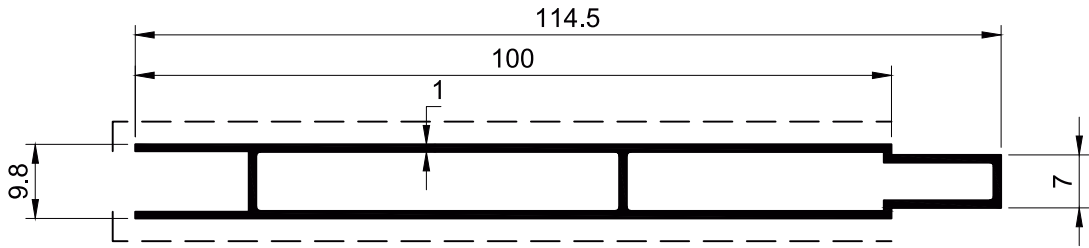
Panel Door



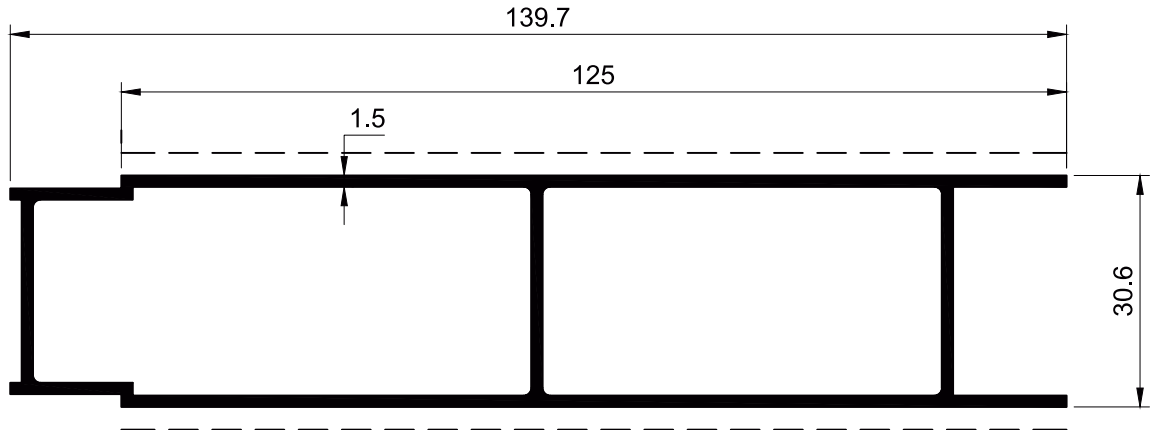
SECTION NO. - PD-104
EST. WEIGHT - 0.541 KG./M.



SECTION NO. - PD-109
EST. WEIGHT - 0.630 KG./M.



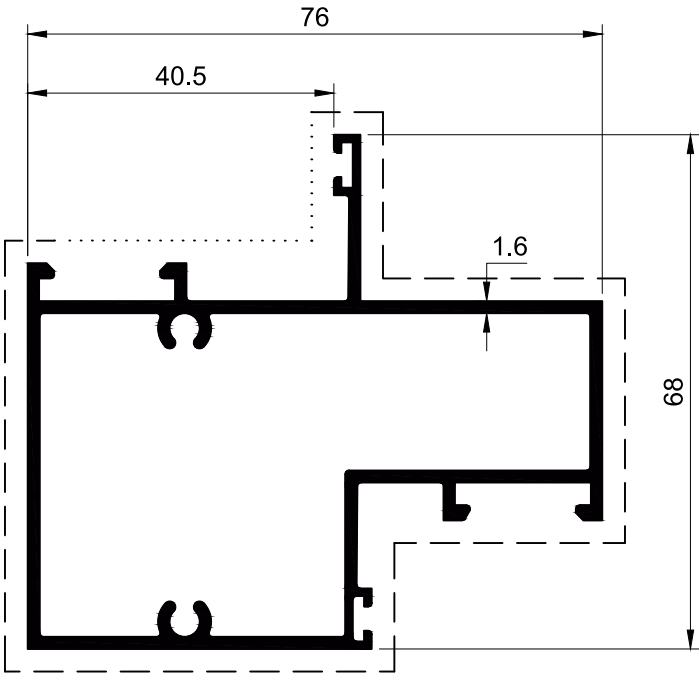
SECTION NO. - PD-105
EST. WEIGHT - 0.675 KG./M.



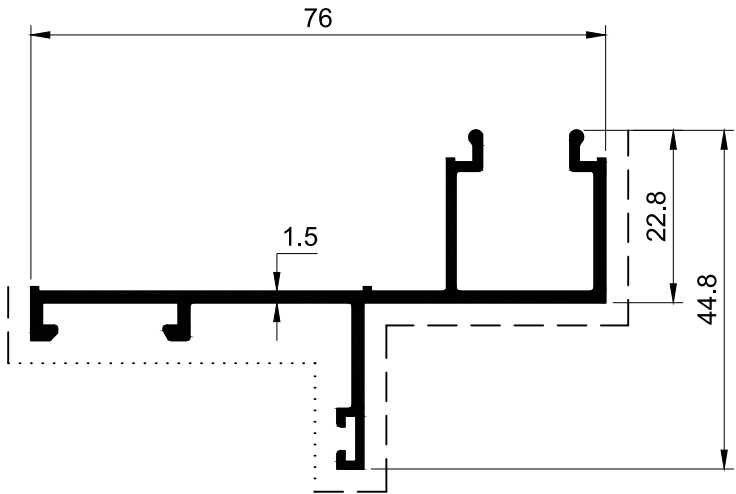
SECTION NO. - PD-106
EST. WEIGHT - 1.472 KG./M.

----- : Significant Surface
..... : Insignificant Surface

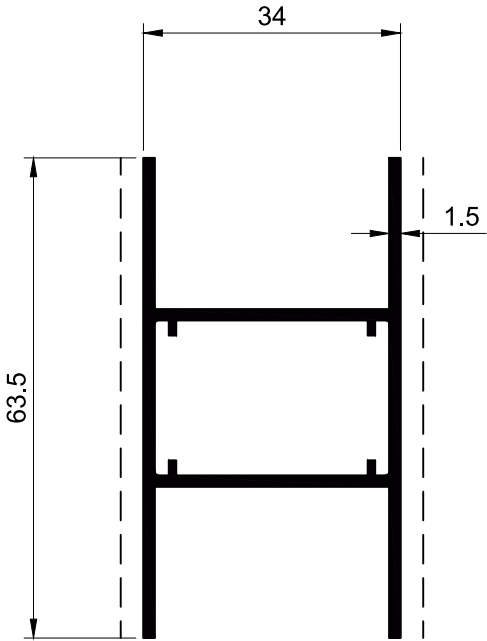
Panel Door



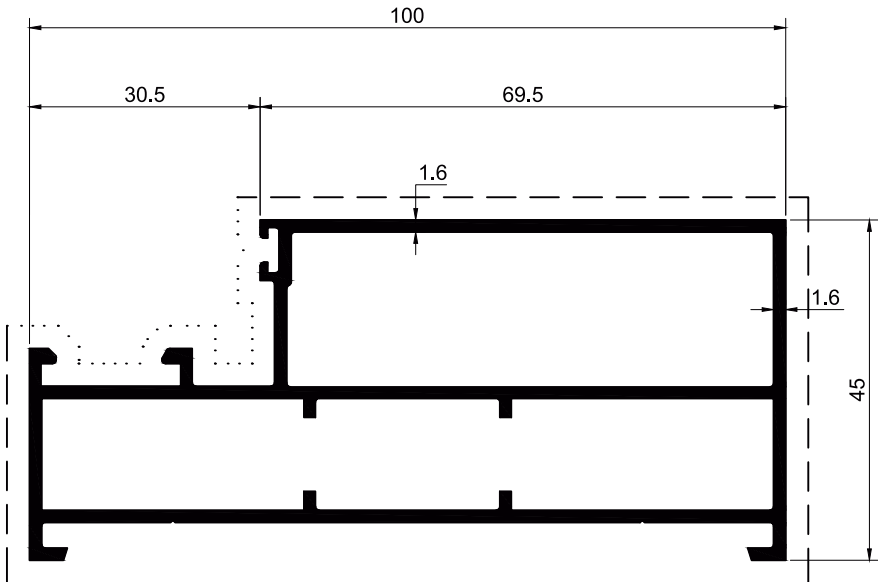
SECTION NO. - PD-107
EST. WEIGHT - 1.336 KG./M.



SECTION NO. - PD-108
EST. WEIGHT - 0.649 KG./M.



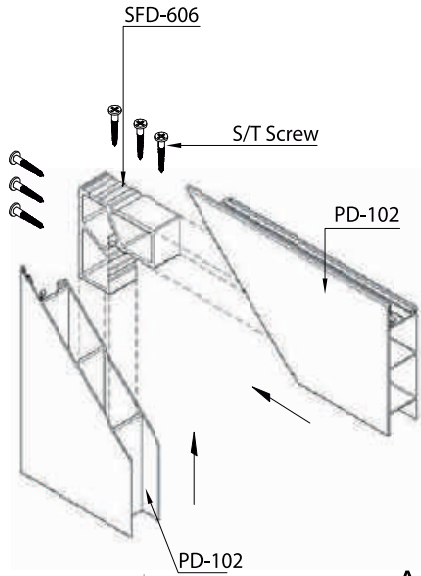
SECTION NO. - PD-110
EST. WEIGHT - 0.788 KG./M.



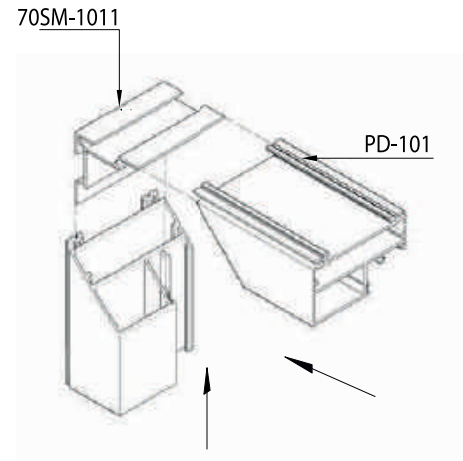
SECTION NO. - PD-111
EST. WEIGHT - 1.637 KG./M.

----- : Significant Surface
..... : Insignificant Surface

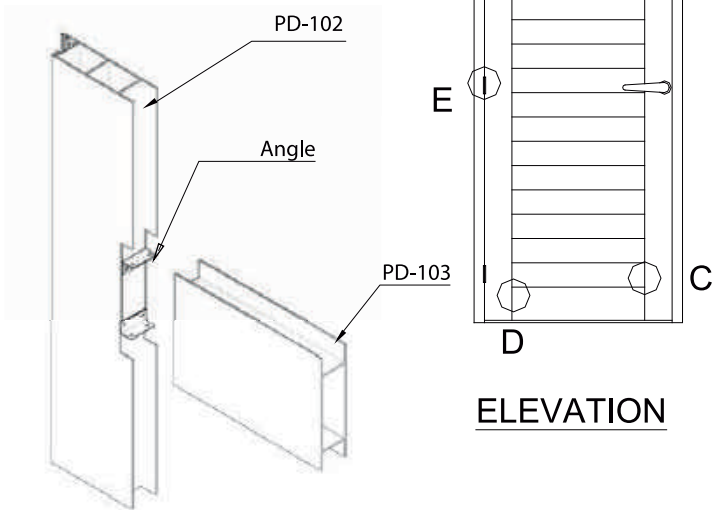
3D Assembly Detail Of Panel Door



Detail - "B"
Sash Corner 45° joint

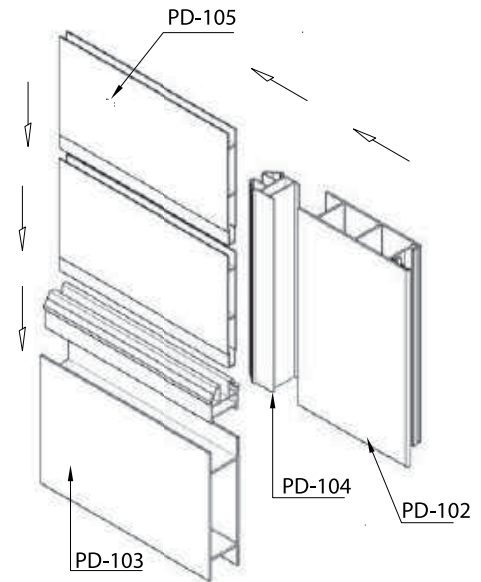


Detail - "A"
Head & Jamb Corner Joint

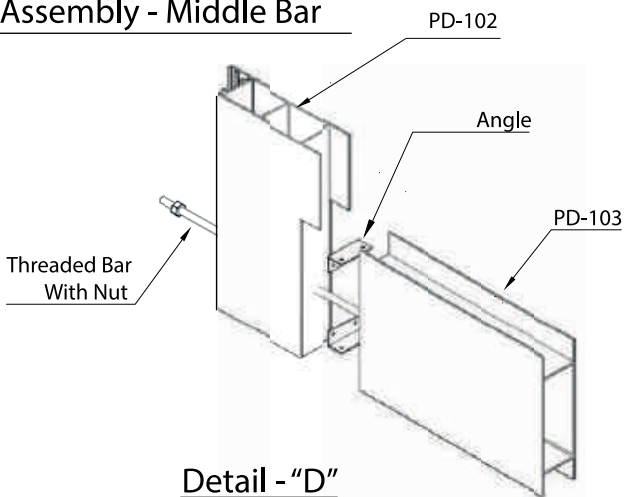


Assembly - Middle Bar

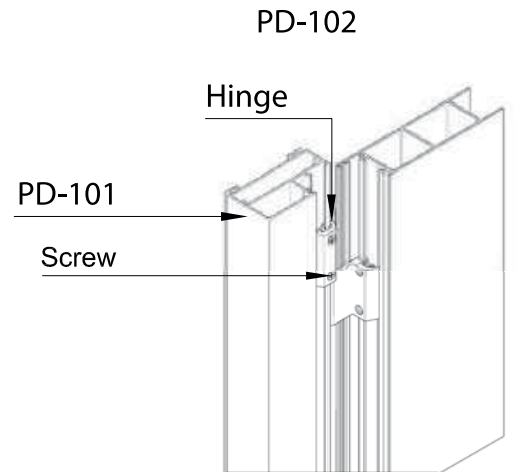
ELEVATION



Detail - "C"
Assembly with Panel's

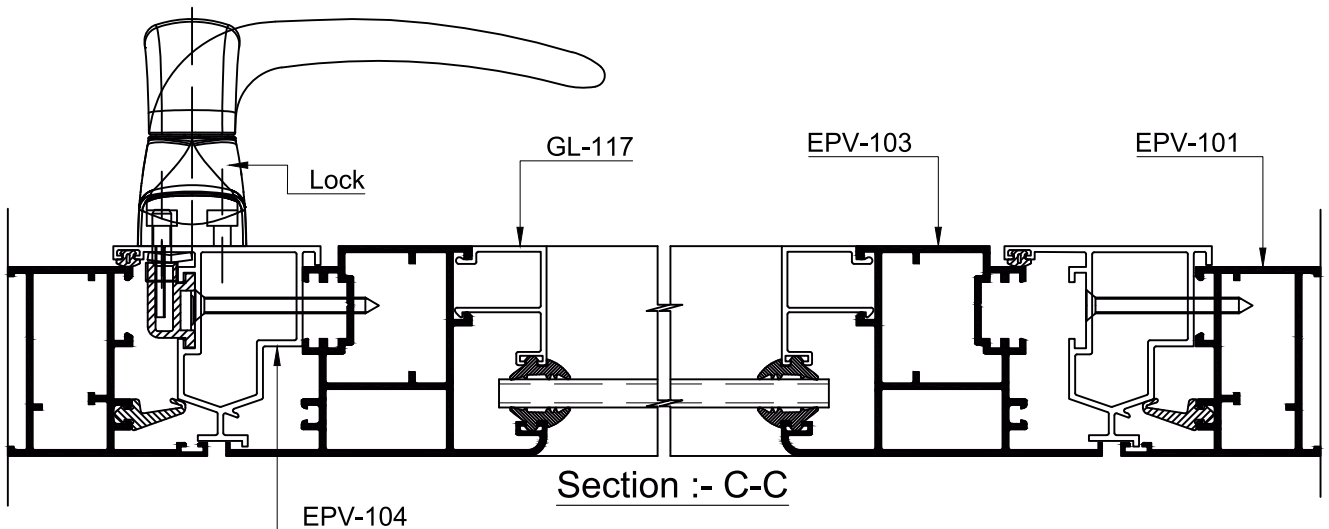
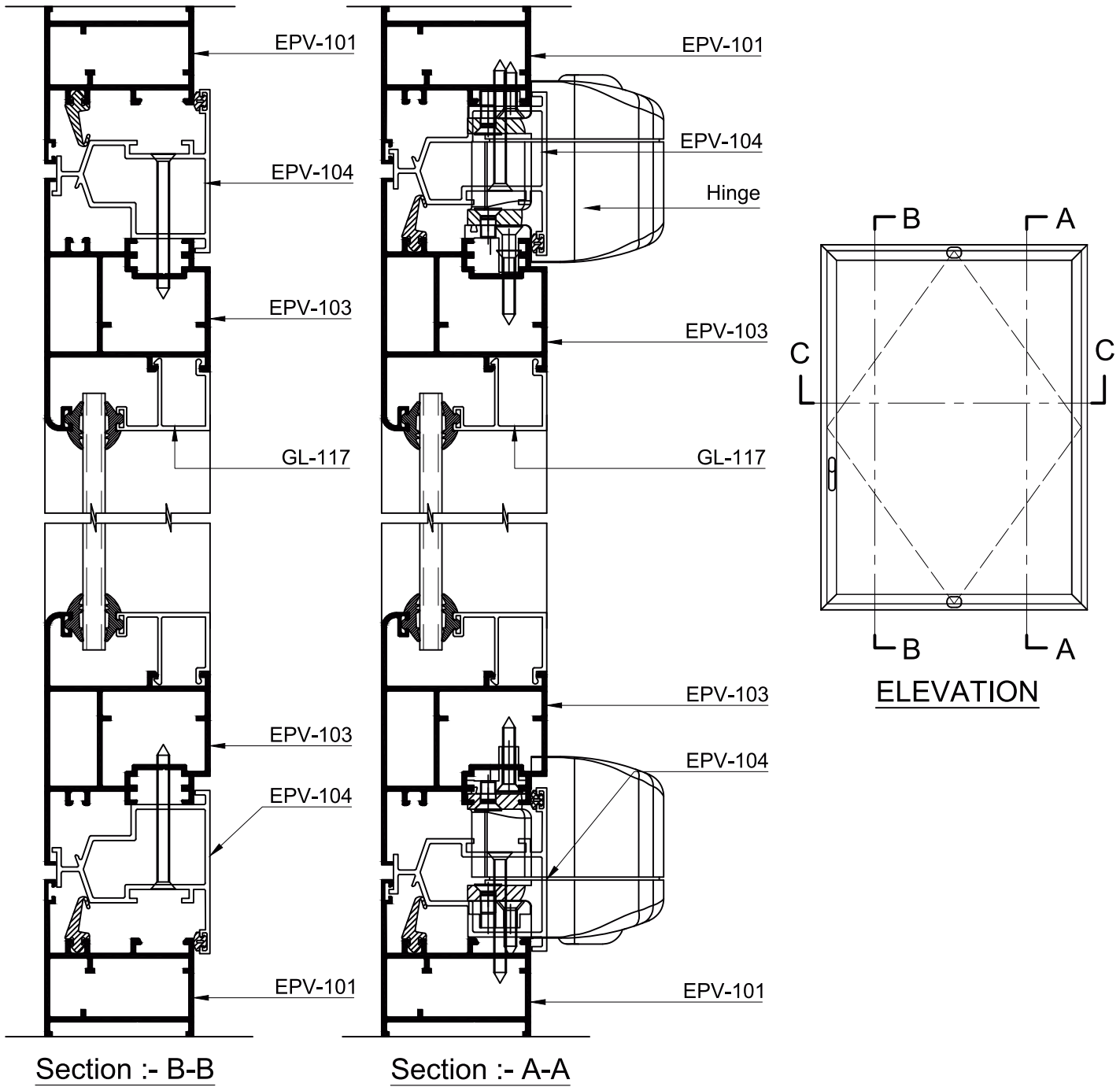


Detail - "D"
Assembly - Sash Bottom

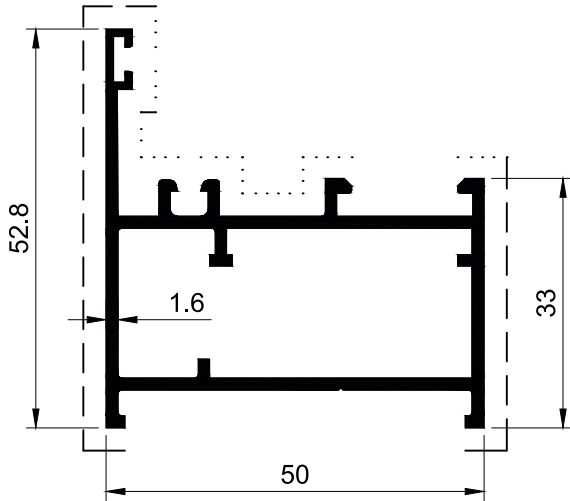


Detail - "E"
Assembly with Hinges

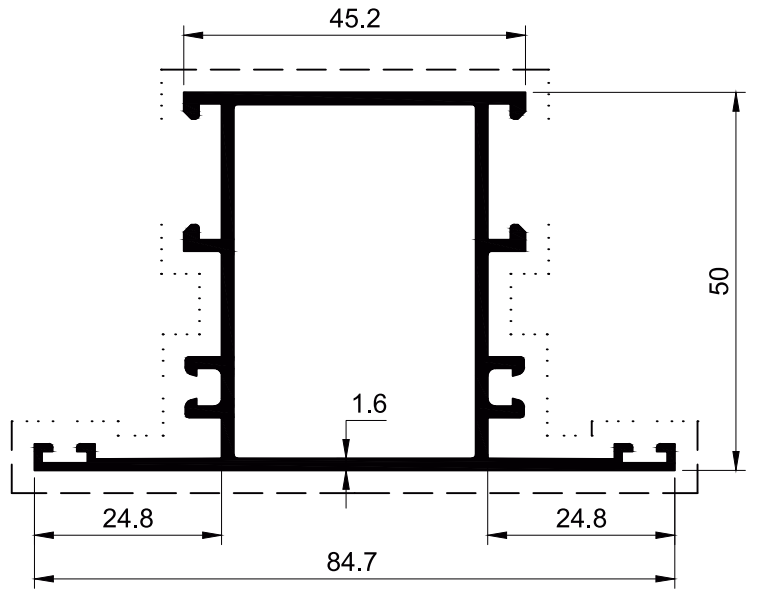
'C' Groove Pivoted Window



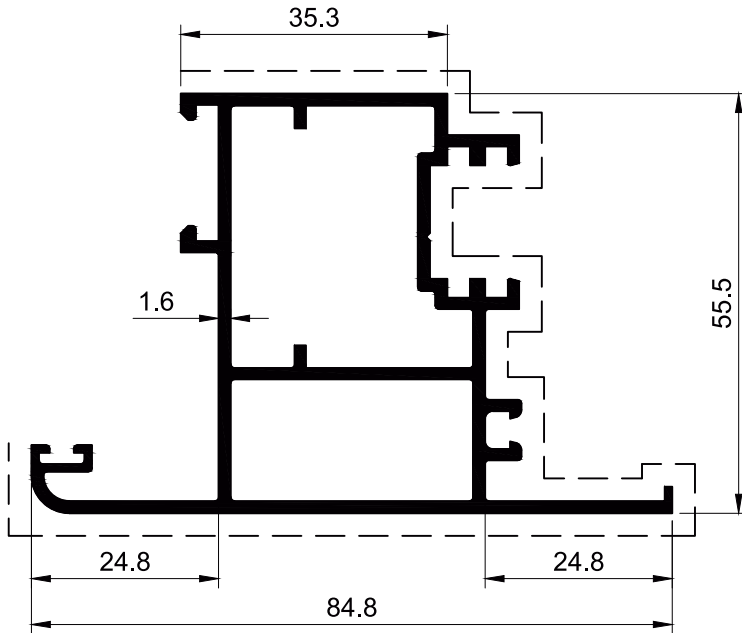
'C' Groove Pivoted Window



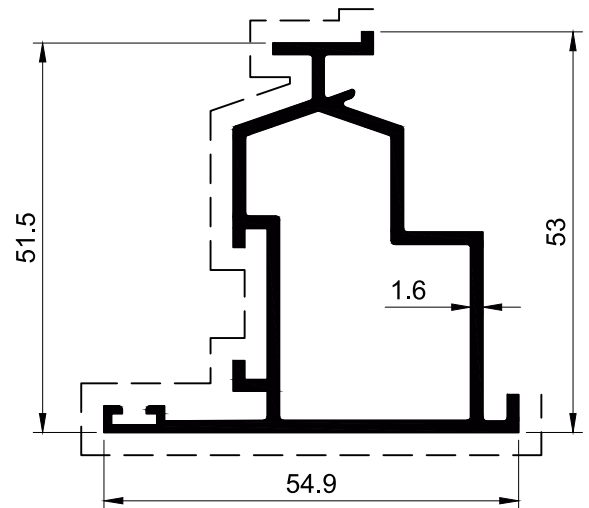
SECTION NO. - EPV-101
EST. WEIGHT - 0.917 KG./M.



SECTION NO. - EPV-102
EST. WEIGHT - 1.144 KG./M.

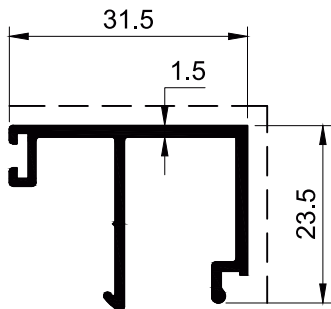


SECTION NO. - EPV-103
EST. WEIGHT - 1.409 KG./M.



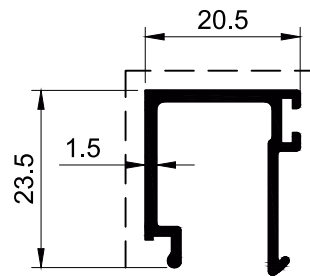
SECTION NO. - EPV-104
EST. WEIGHT - 0.880 KG./M.

Single Glazing



SECTION NO. - GL-117
EST. WEIGHT - 0.334 KG./M.
GLASS GAP - 15MM

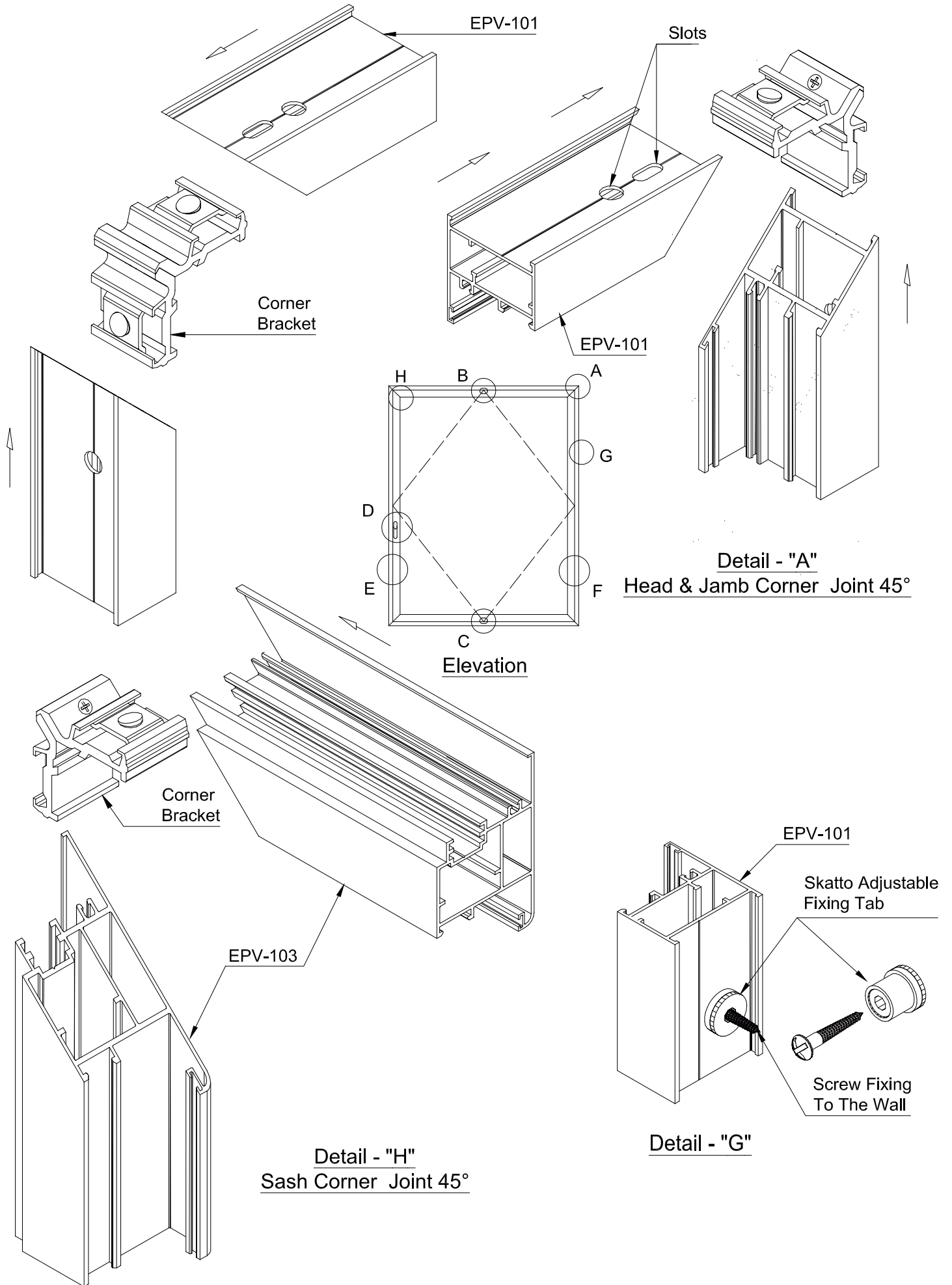
Double Glazing



SECTION NO. - GL-119
EST. WEIGHT - 0.274 KG./M.
GLASS GAP - 26MM

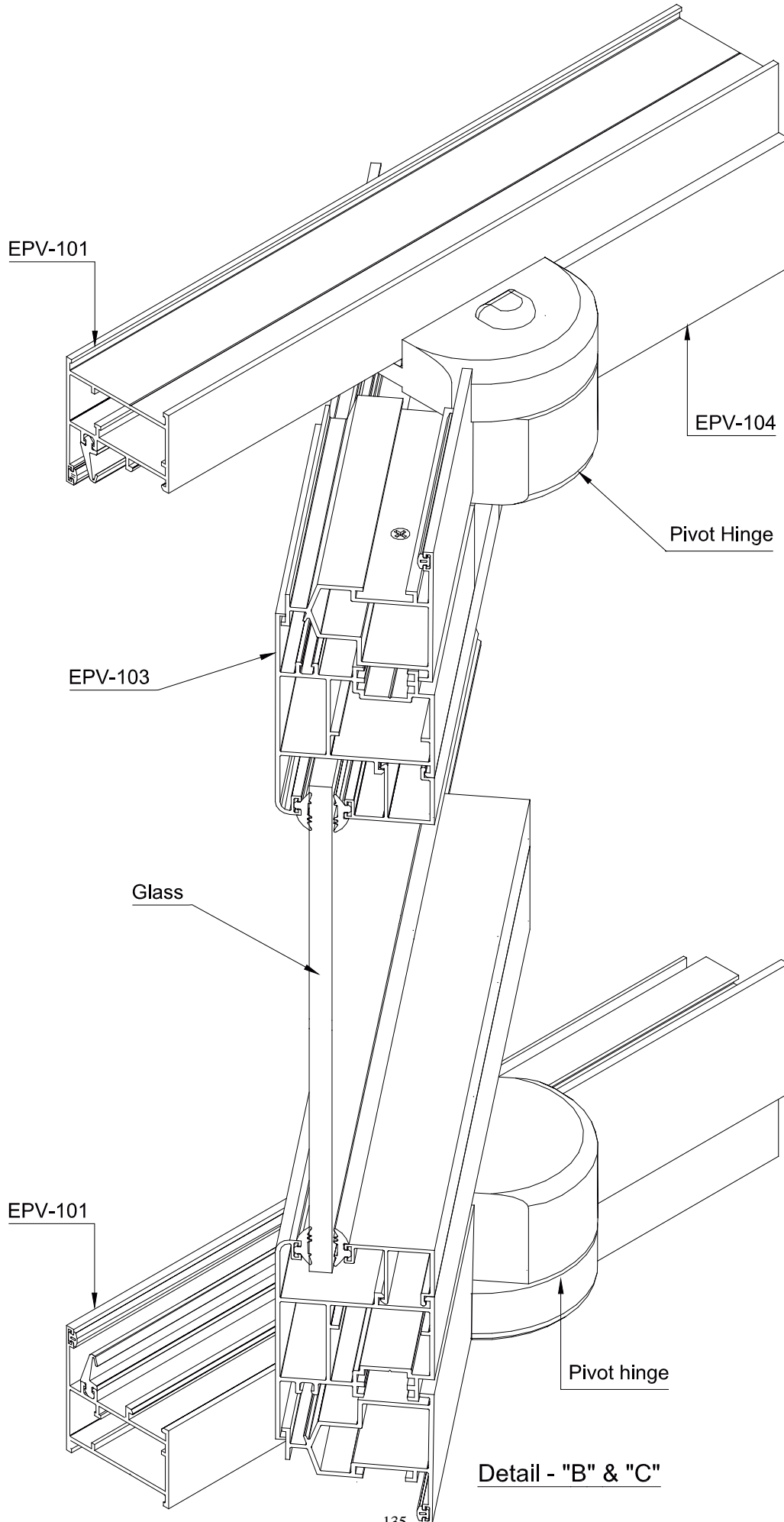
----- : Significant Surface
..... : Insignificant Surface

3D Assembly Detail Of LUMIN Pivoted Window

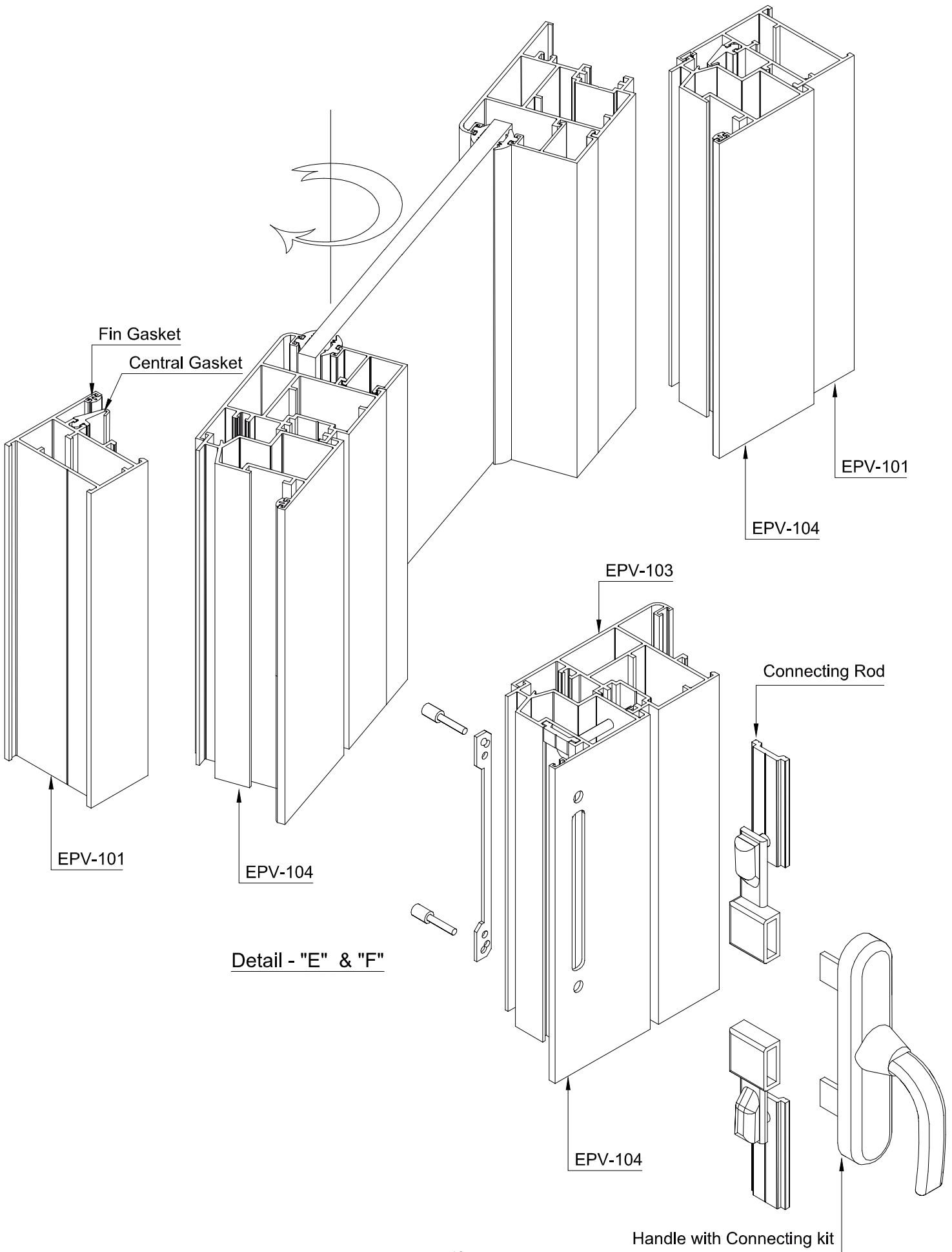


3D Assembly Detail Of 'C' Groove Pivoted Window

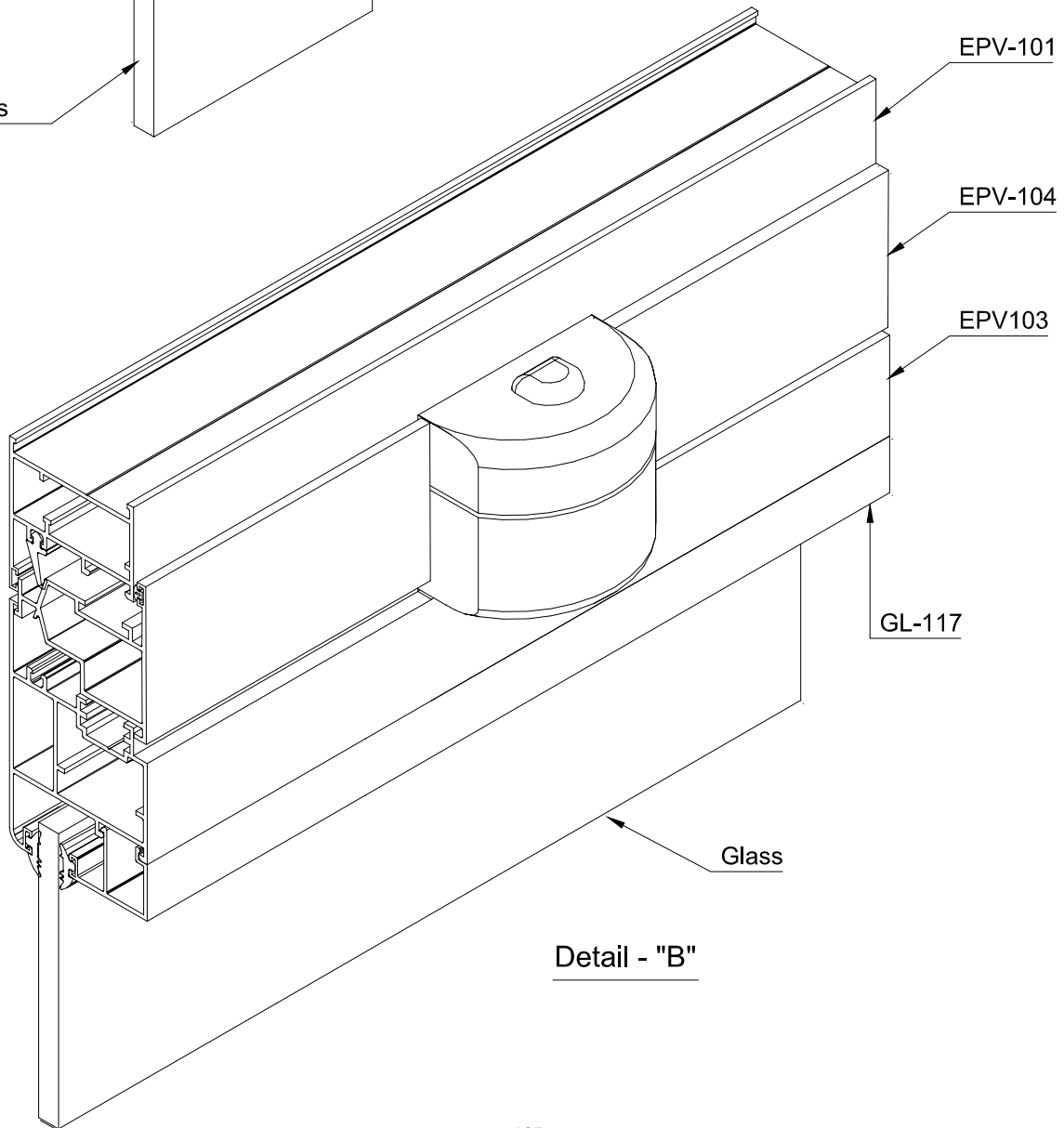
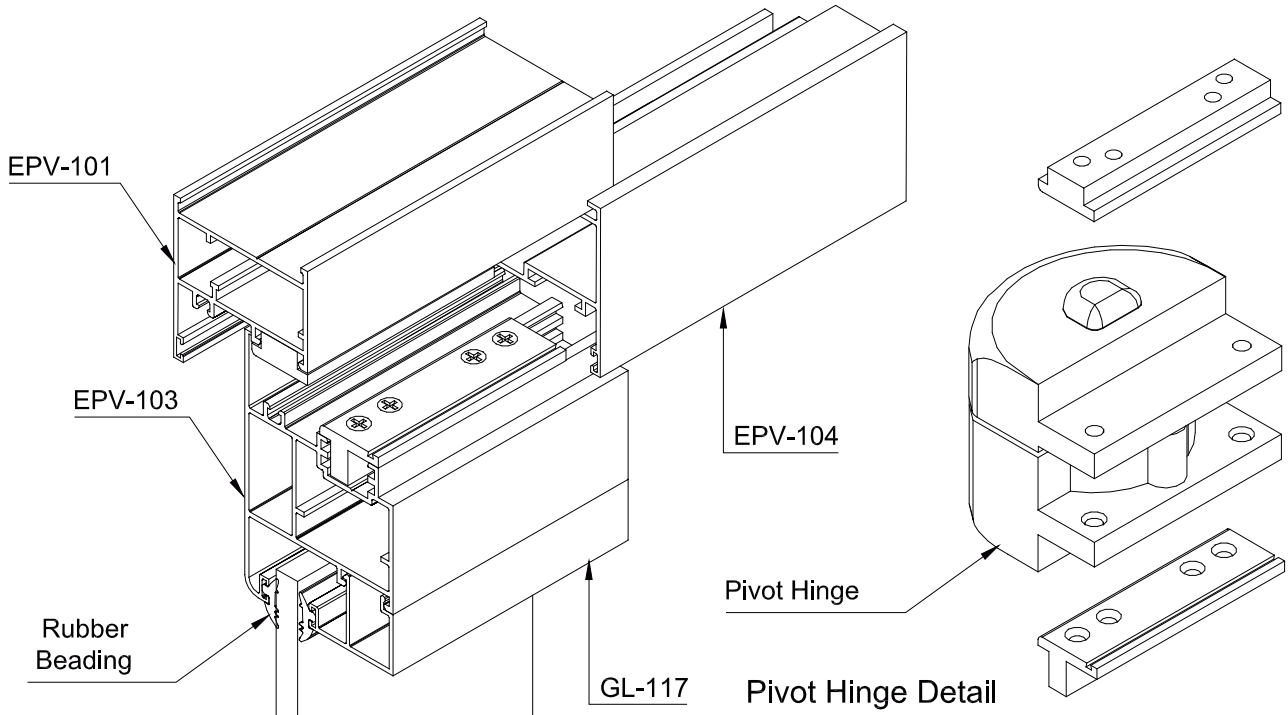
Group 10
Page 29



3D Assembly Detail Of 'C' Groove Pivoted Window

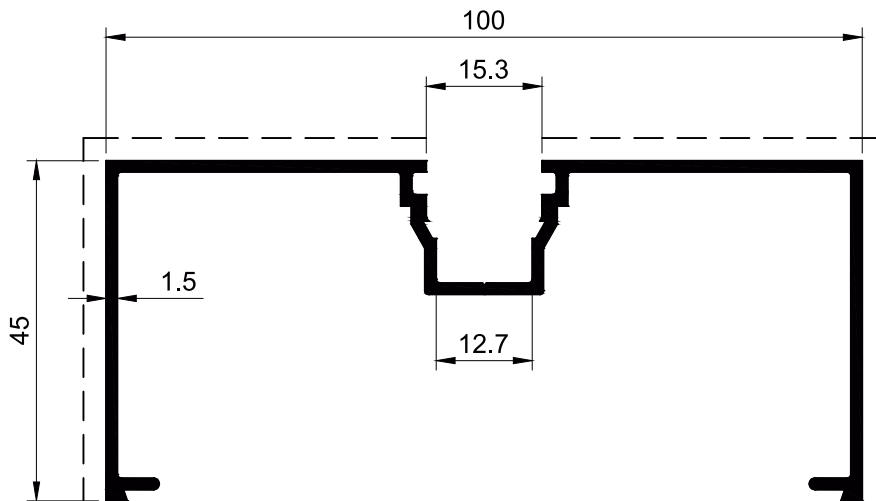


3D Assembly Detail Of 'C' Groove Pivoted Window

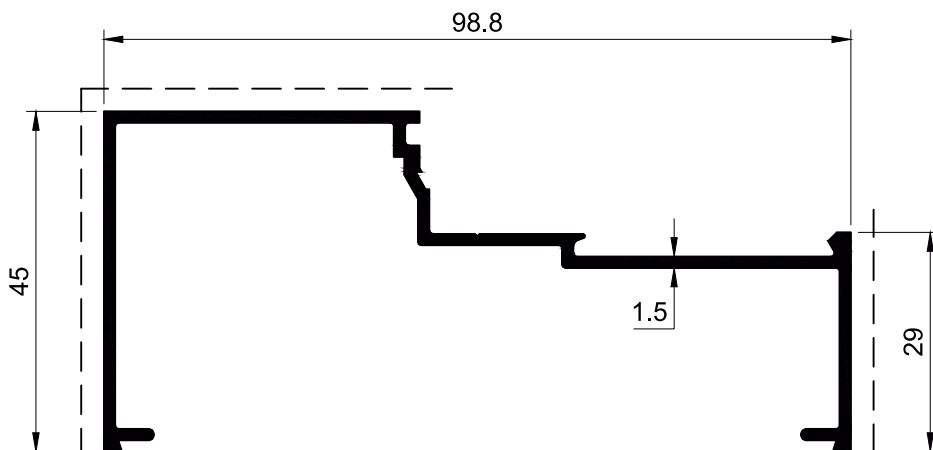


100mm Shopfront

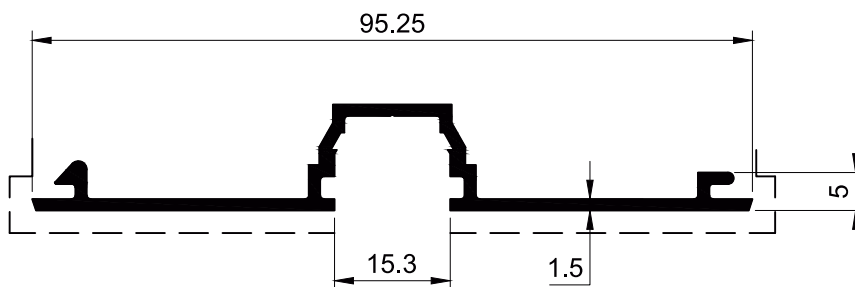
Group 11
Page 01



SECTION NO. - SPR - 205
EST. WEIGHT - 0.957 KG./M.



SECTION NO. - SPR - 206
EST. WEIGHT - 0.831 KG./M.

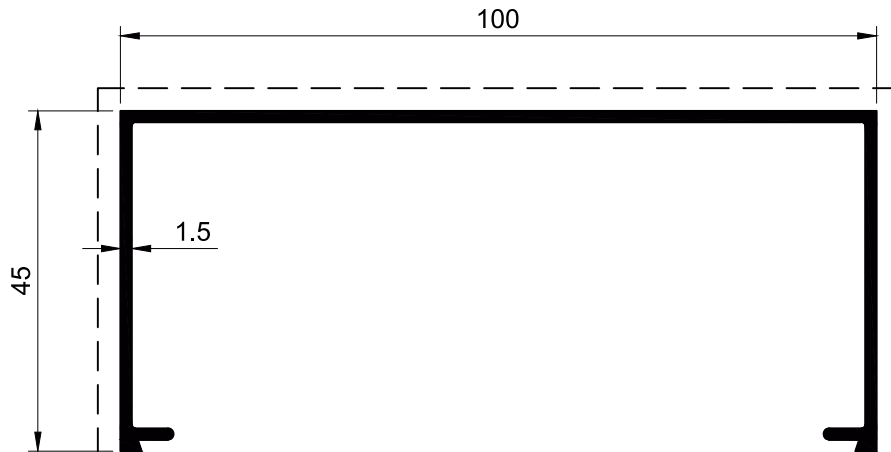


SECTION NO. - SPR - 207
EST. WEIGHT - 0.561 KG./M.

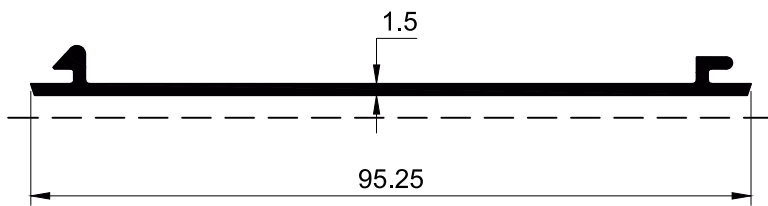
----- : Significant Surface
..... : Insignificant Surface

100mm Shopfront

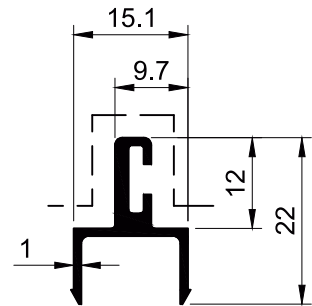
Group 11
Page 02



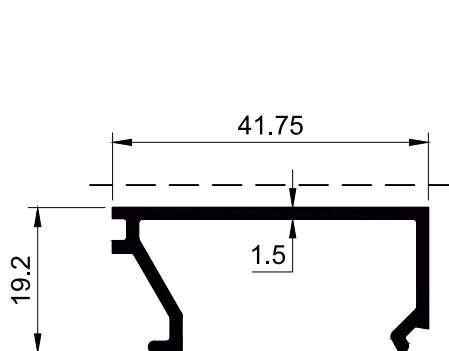
SECTION NO. - SPR - 208
EST. WEIGHT - 0.810 KG./M.



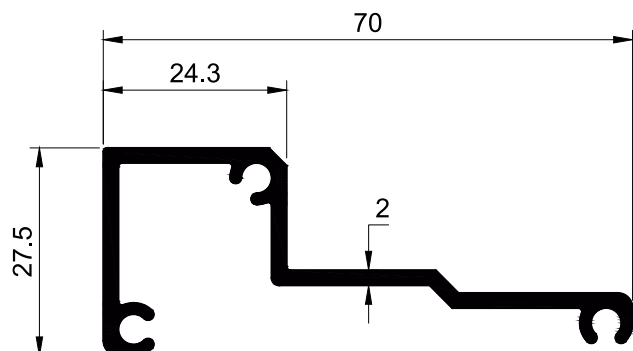
SECTION NO. - SPR - 209
EST. WEIGHT - 0.443 KG./M.



SECTION NO. - SPR - 211
EST. WEIGHT - 0.185 KG./M.



SECTION NO. - SPR - 210
EST. WEIGHT - 0.349 KG./M.

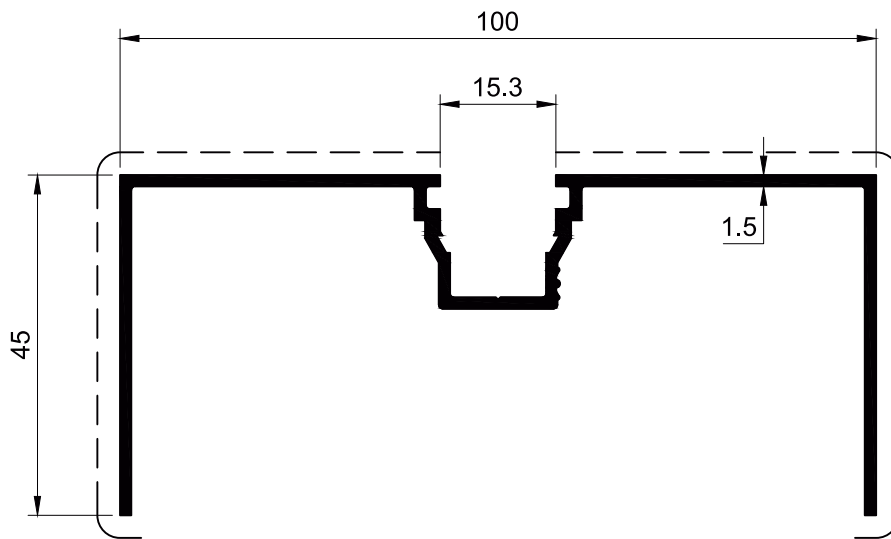


SECTION NO. - SPR - 212
EST. WEIGHT - 0.708 KG./M.

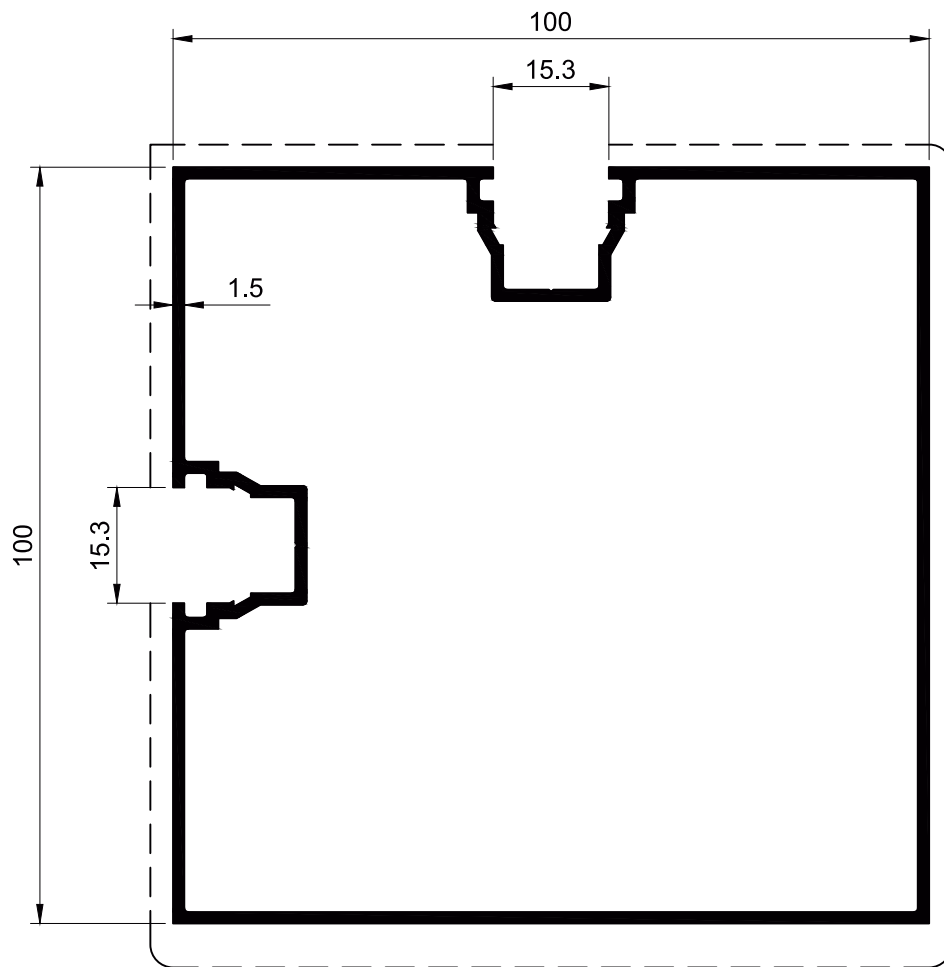
----- : Significant Surface
..... : Insignificant Surface

100mm Shopfront

Group 11
Page 03



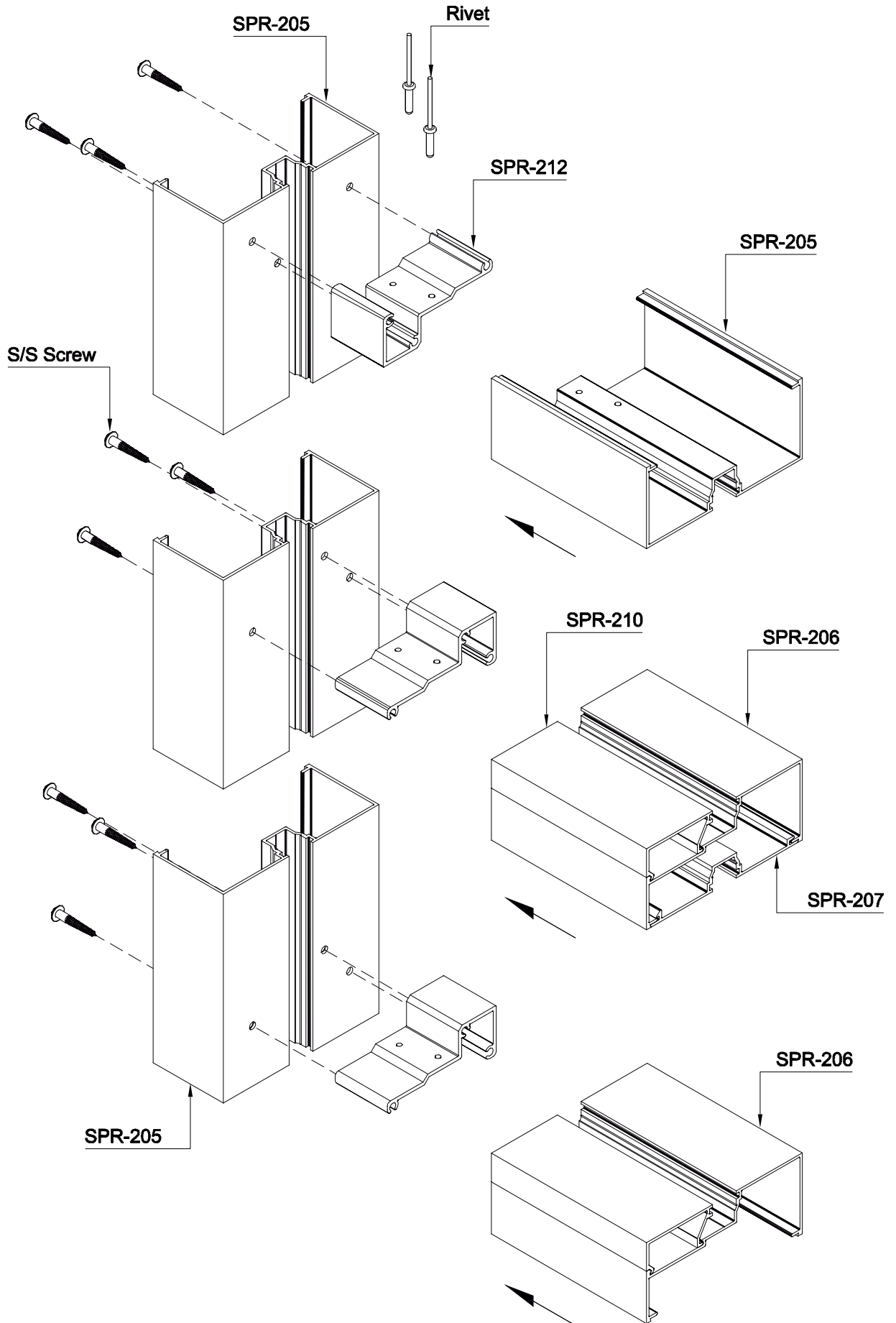
SECTION NO. - SPR - 213
EST. WEIGHT - 0.906 KG./M.



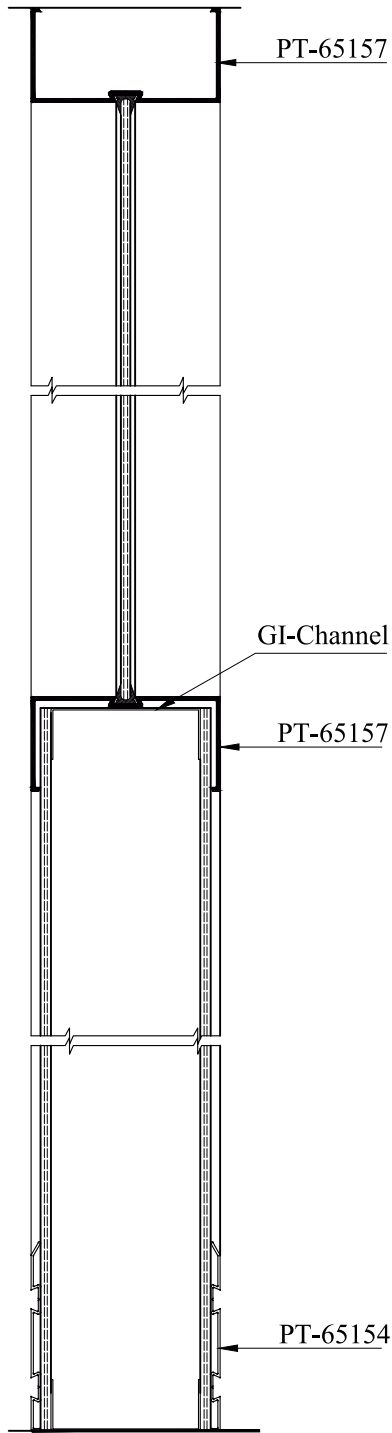
SECTION NO. - SPR - 214
EST. WEIGHT - 1.891 KG./M.

----- : Significant Surface
..... : Insignificant Surface

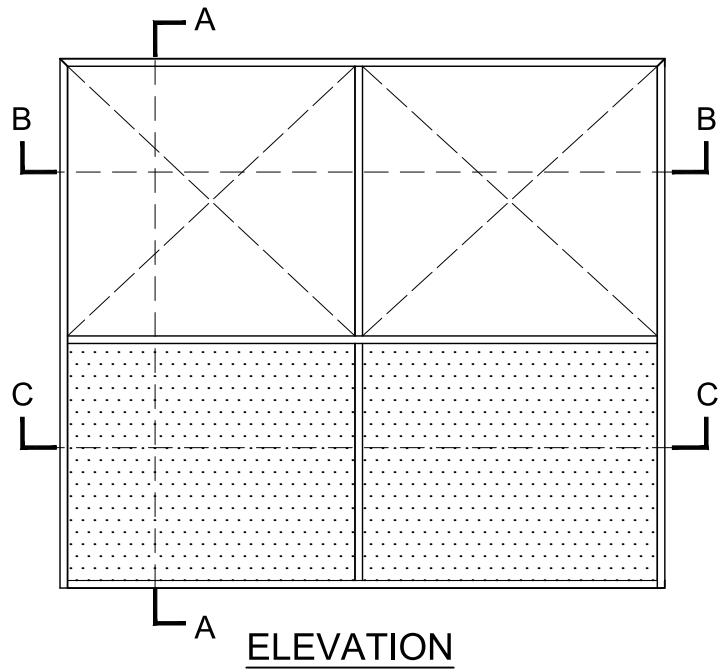
3D Assembly Detail Of 100mm Shopfront



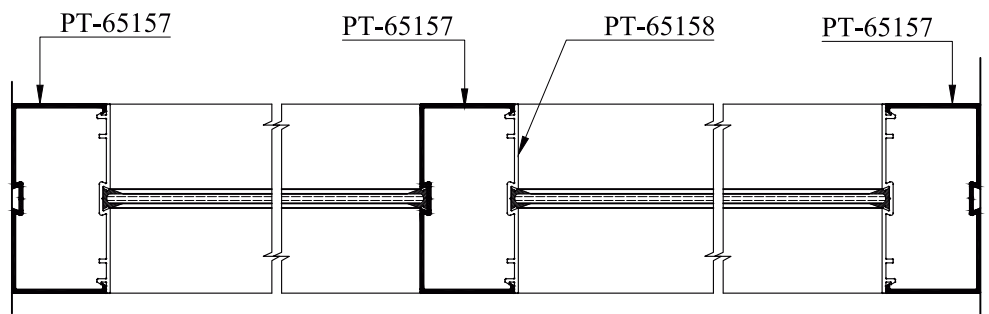
100mm Partition



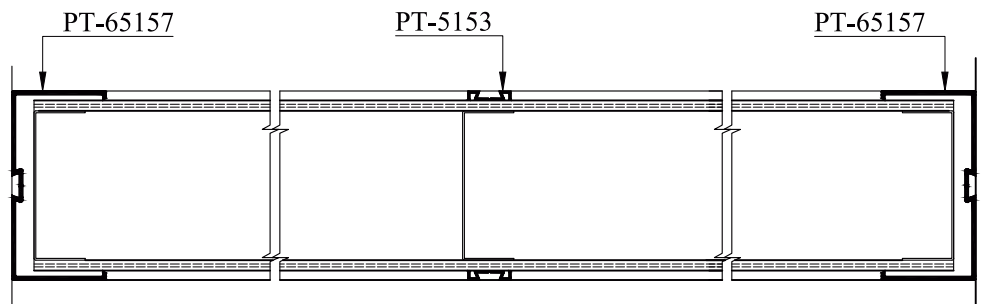
Section :- A-A



ELEVATION



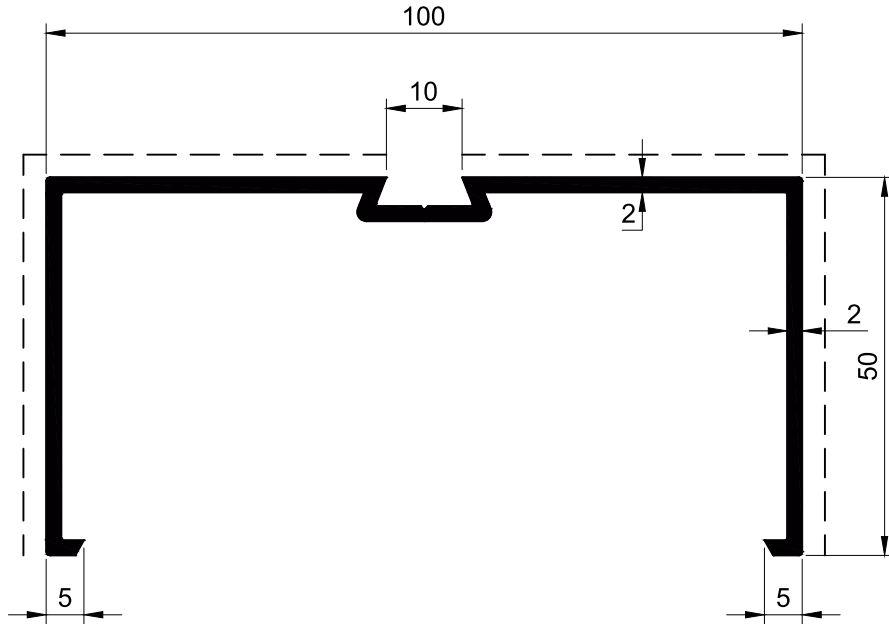
Section :- B-B



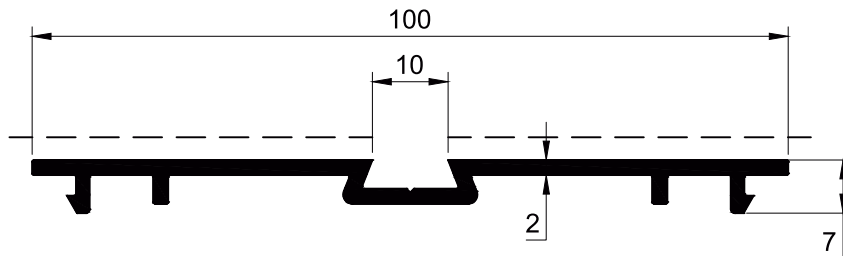
Section :- C-C

100mm Partition

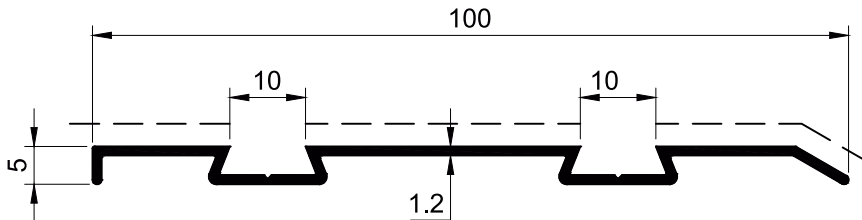
Group 12
Page 02



SECTION NO. - PT - 65157
EST. WEIGHT - 1.140 KG./M.



SECTION NO. - PT - 65158
EST. WEIGHT - 0.693 KG./M.

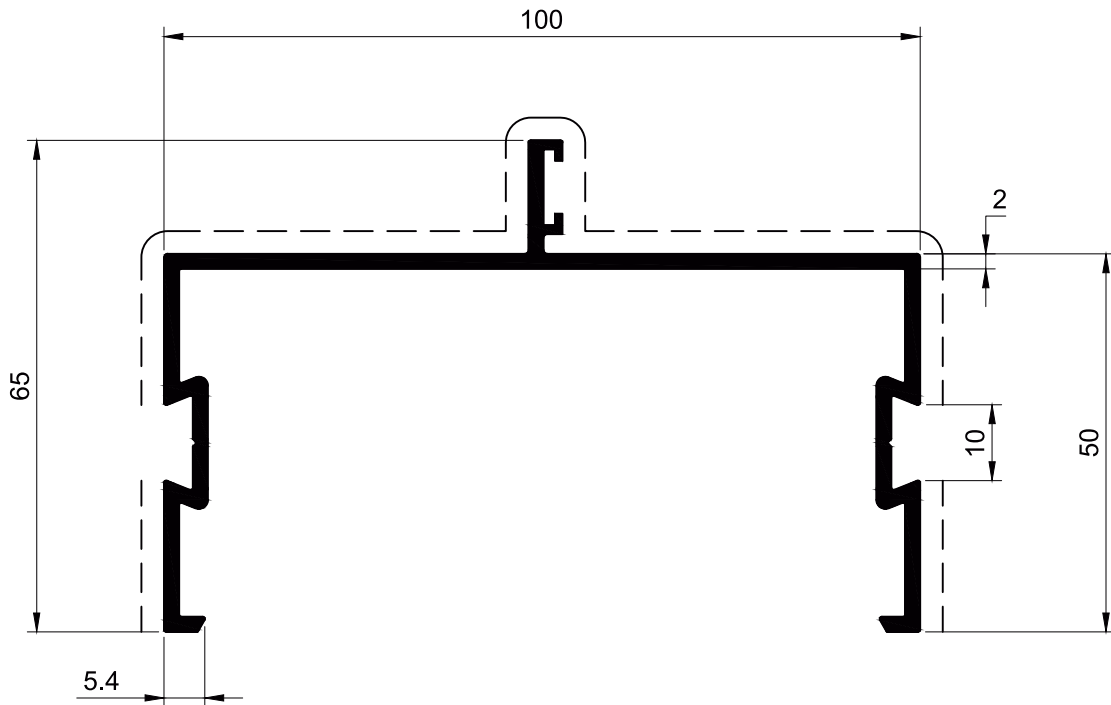


SECTION NO. - PT - 65154
EST. WEIGHT - 0.405 KG./M.

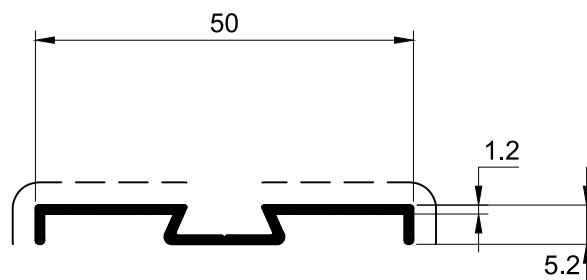
----- : Significant Surface
..... : Insignificant Surface

100mm Partition

Group 12
Page 03



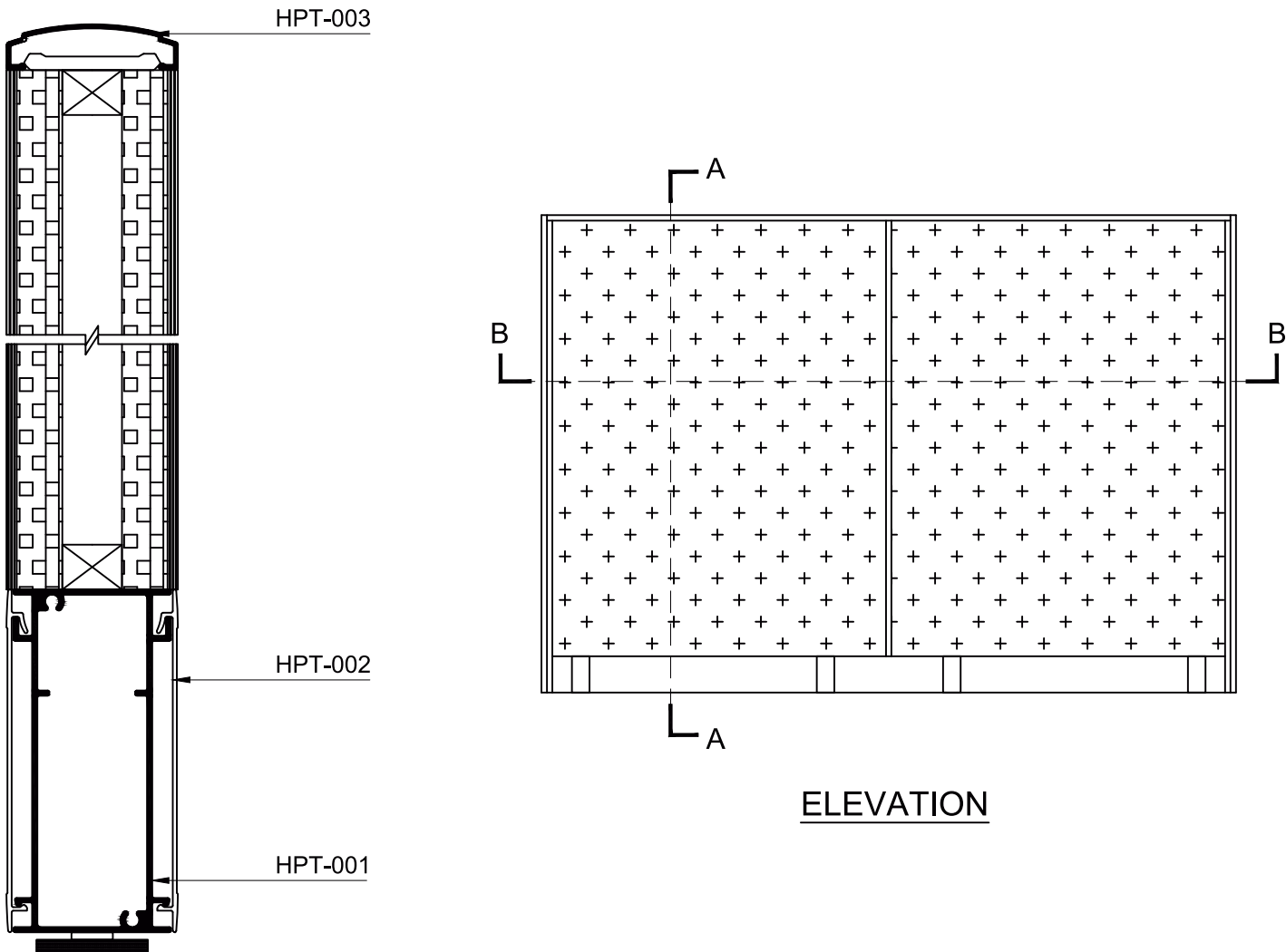
SECTION NO. - PT - 65159
EST. WEIGHT - 1.308 KG./M.



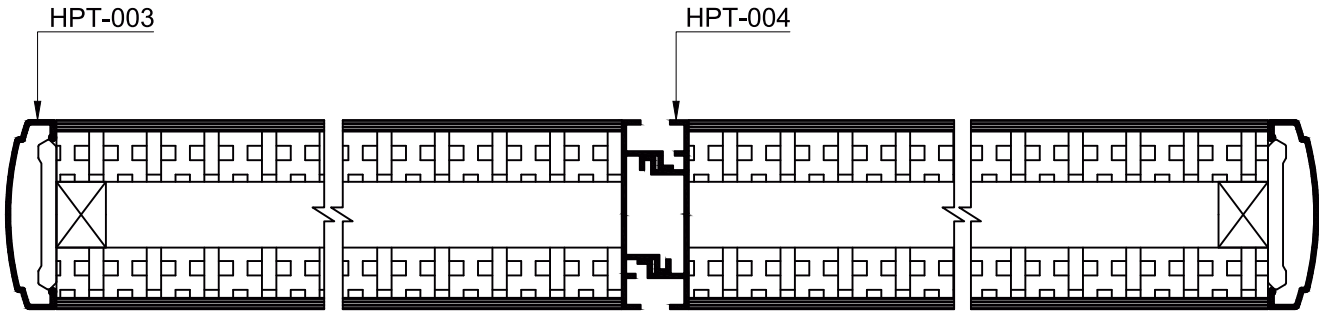
SECTION NO. - PT - 65153
EST. WEIGHT - 0.224 KG./M.

----- : Significant Surface
..... : Insignificant Surface

Half Partition

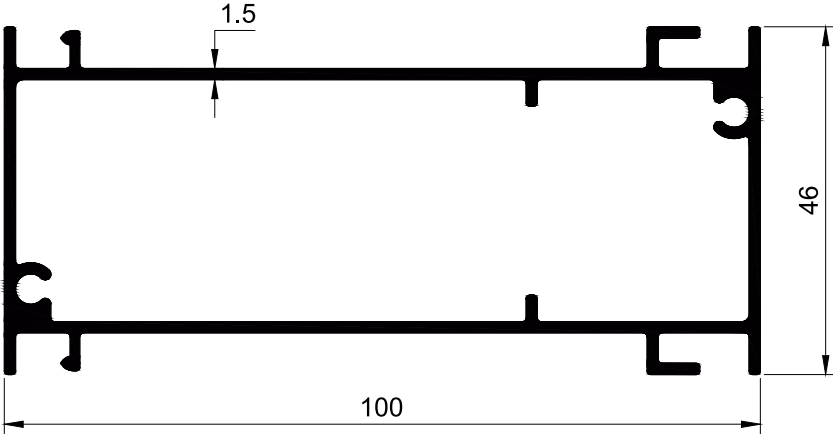


SECTION :- A - A

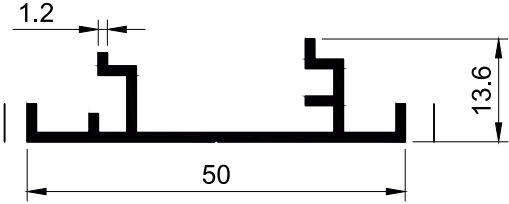


SECTION :- B - B

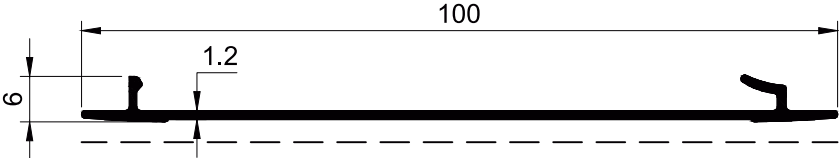
Half Partition



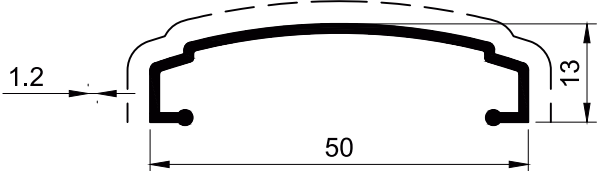
SECTION NO. - HPT-001
EST. WEIGHT - 1.430 KG./M.



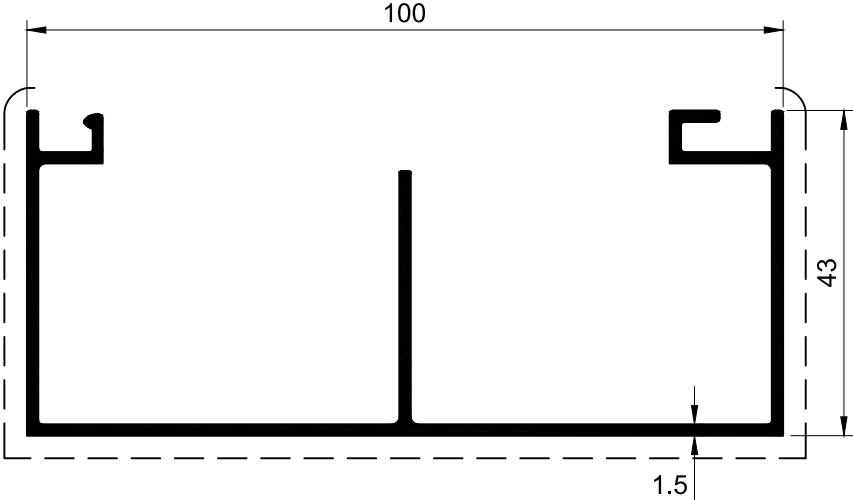
SECTION NO. - HPT-004
EST. WEIGHT - 0.306 KG./M.



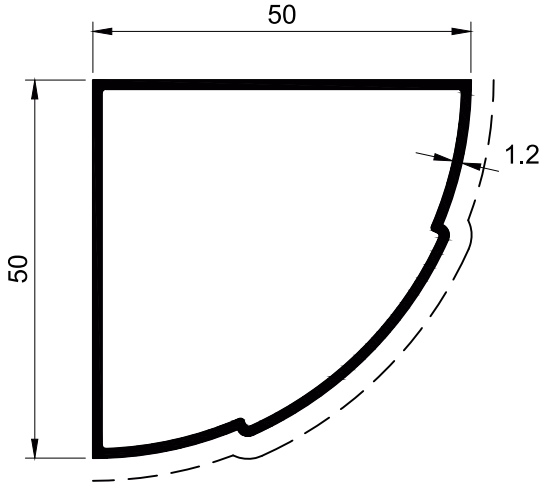
SECTION NO. - HPT-002
EST. WEIGHT - 0.372 KG./M.



SECTION NO. - HPT-003
EST. WEIGHT - 0.248 KG./M.



SECTION NO. - HPT-007
EST. WEIGHT - 1.032 KG./M.

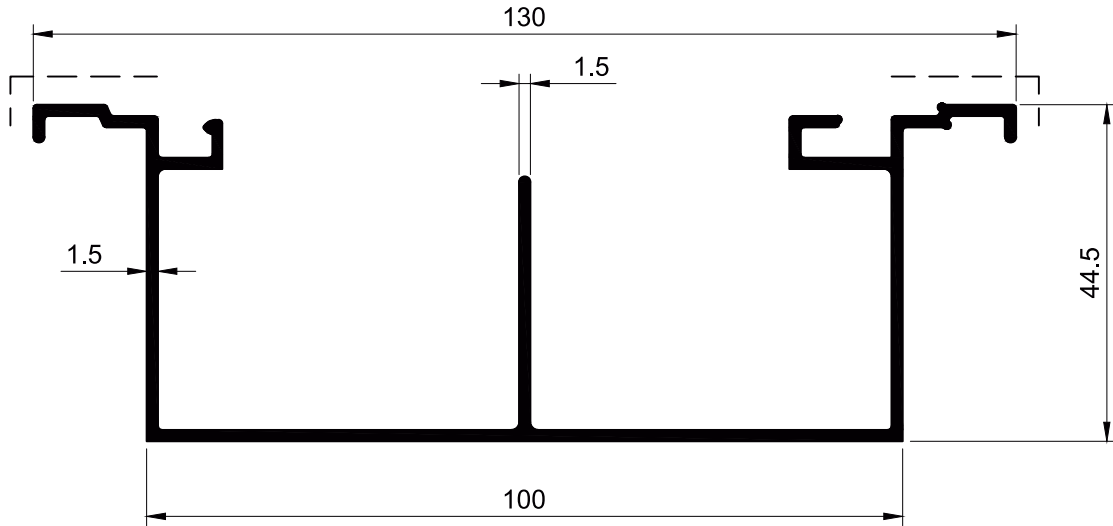


SECTION NO. - HPT-005
EST. WEIGHT - 0.575 KG./M.

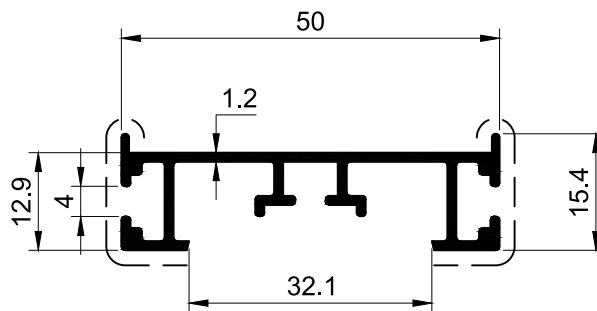
----- : Significant Surface
..... : Insignificant Surface

Half Partition

Group 12
Page 06

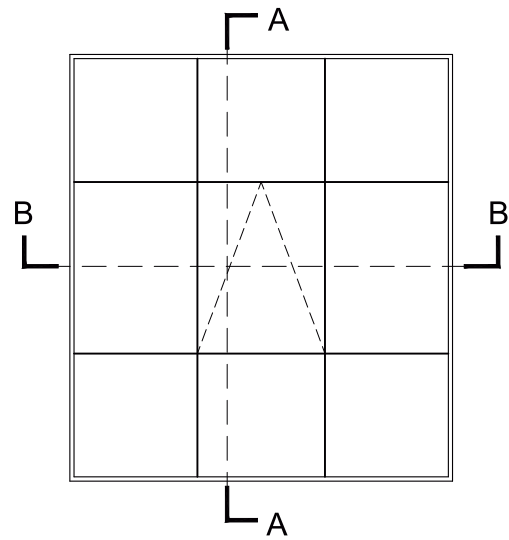
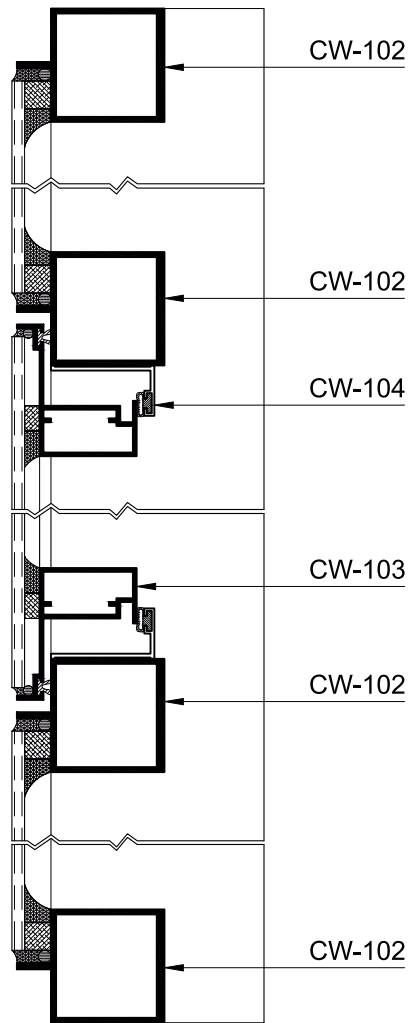


SECTION NO. - HPT-008
EST. WEIGHT - 1.189 KG./M.



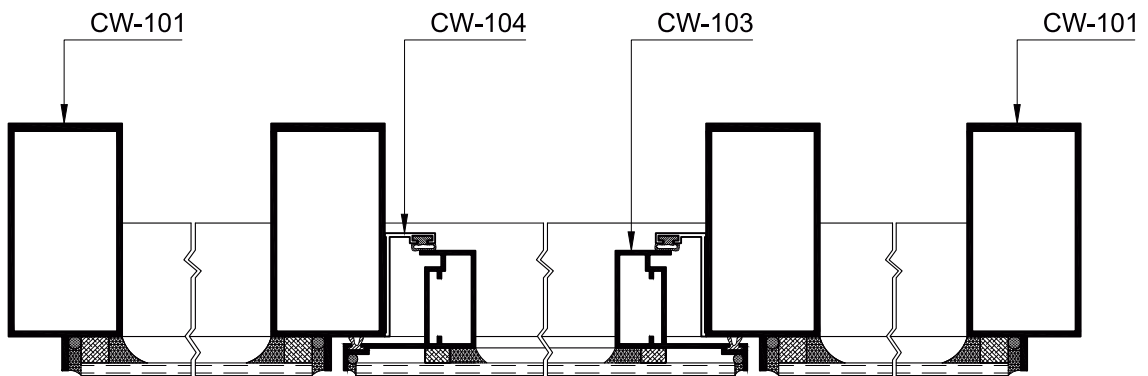
SECTION NO. - HPT-009
EST. WEIGHT - 0.443 KG./M.

----- : Significant Surface
..... : Insignificant Surface



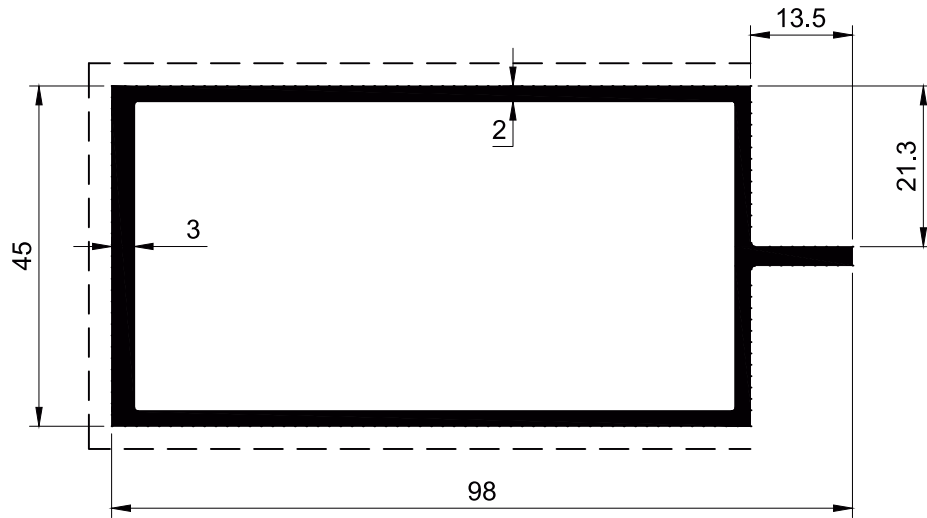
ELEVATION

SECTION :- A - A

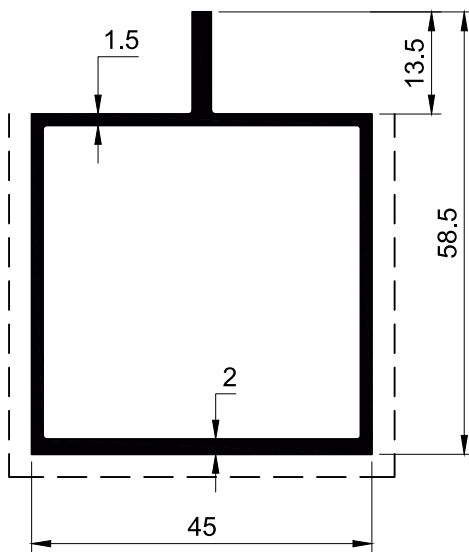


SECTION :- B - B

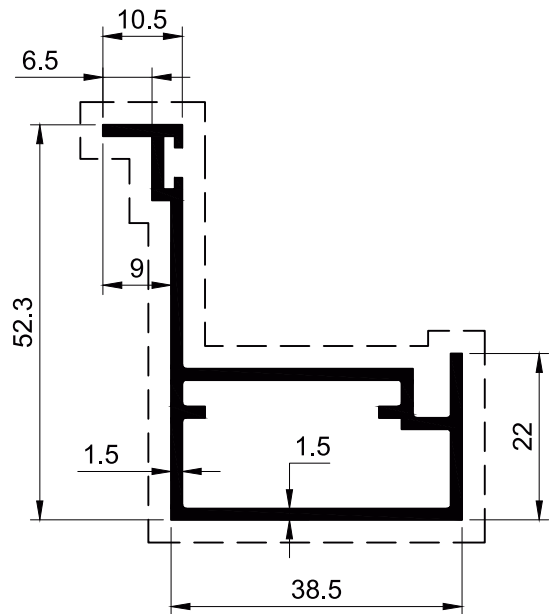
Curtain Wall



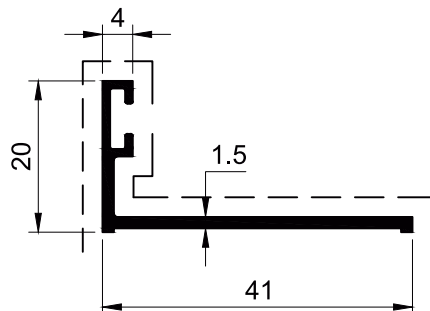
SECTION NO. - CW - 101
EST. WEIGHT - 1.558 KG./M.



SECTION NO. - CW - 102
EST. WEIGHT - 0.853 KG./M.



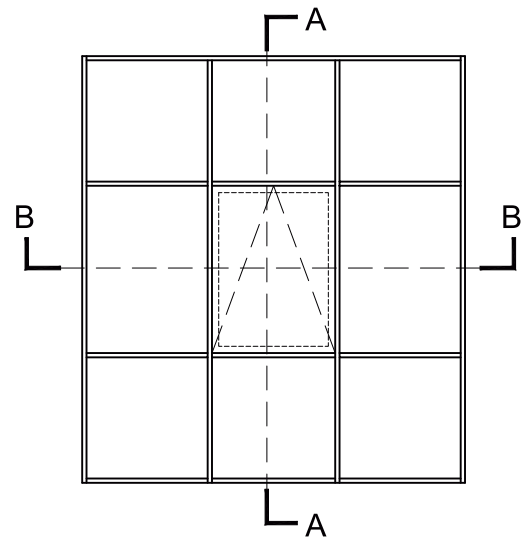
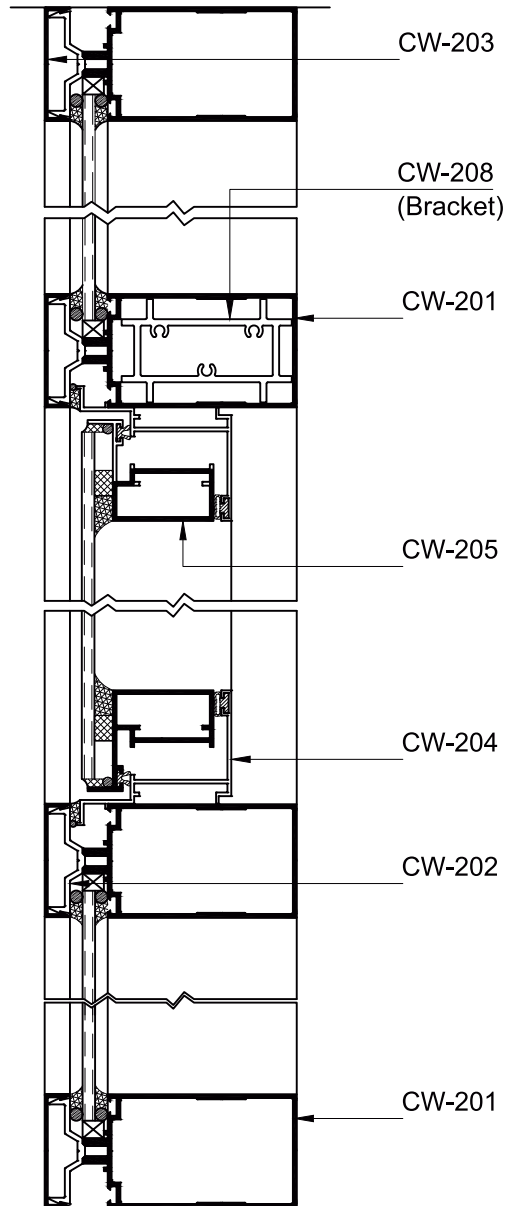
SECTION NO. - CW - 103
EST. WEIGHT - 0.695 KG./M.



SECTION NO. - CW - 104
EST. WEIGHT - 0.257 KG./M.

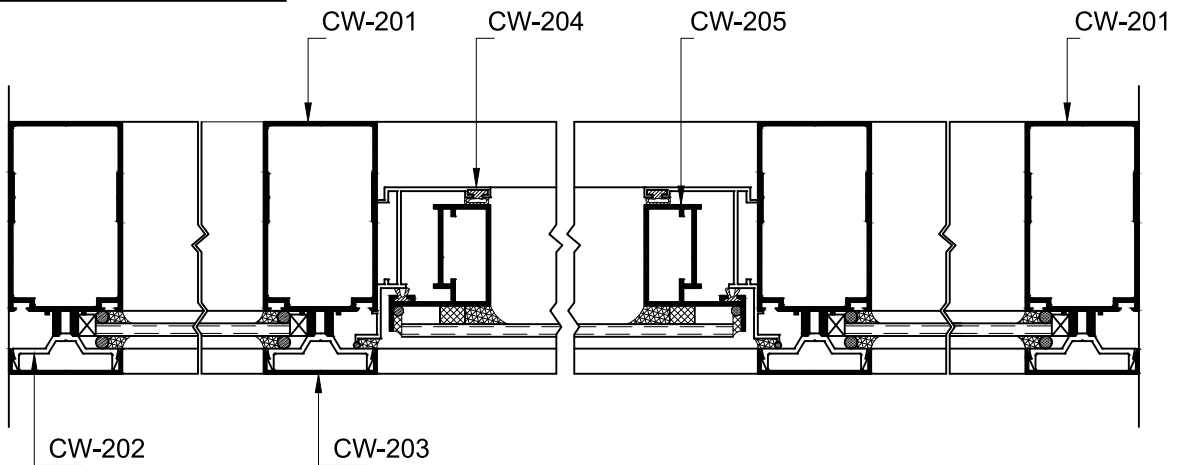
----- : Significant Surface
..... : Insignificant Surface

Curtain Wall



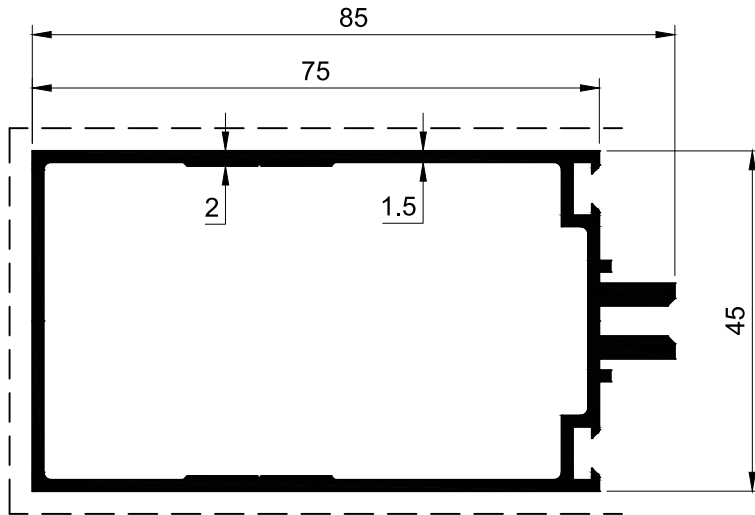
ELEVATION

SECTION :- A - A

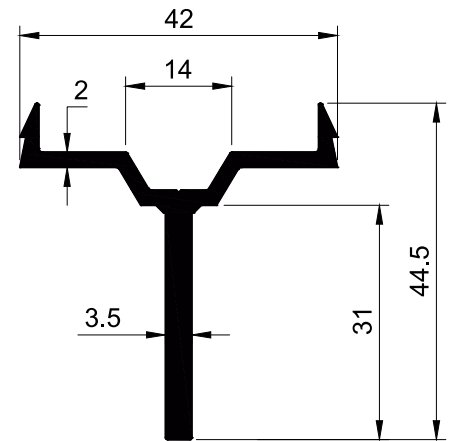


SECTION :- B - B

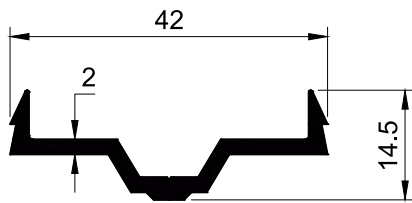
Curtain Wall



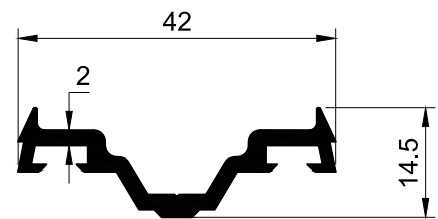
SECTION NO. - CW - 201
EST. WEIGHT - 1.214 KG./M.



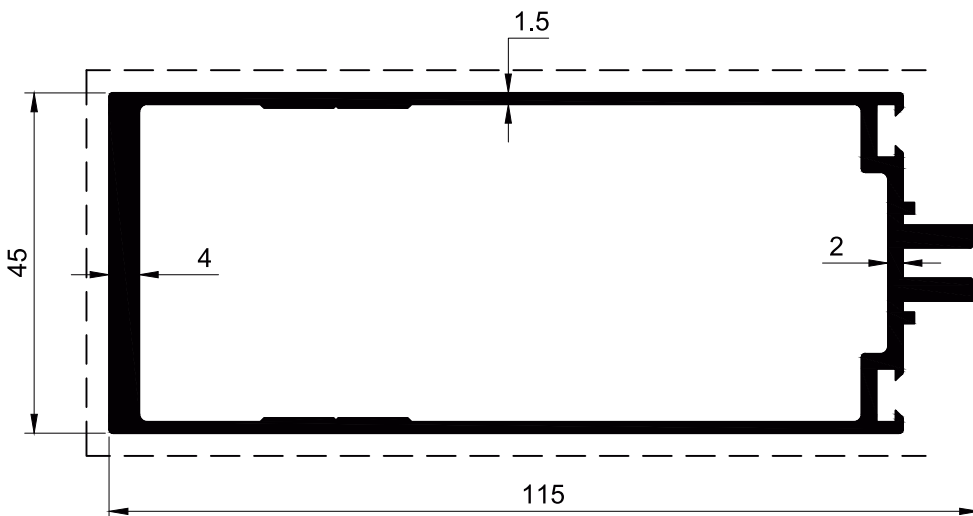
SECTION NO. - CW - 202A
EST. WEIGHT - 0.608 KG./M.



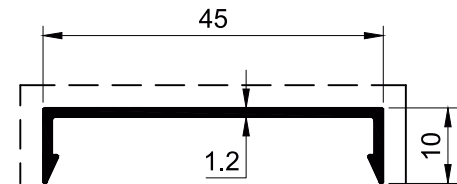
SECTION NO. - CW - 202
EST. WEIGHT - 0.325 KG./M.



SECTION NO. - CW - 202B
EST. WEIGHT - 0.370 KG./M.



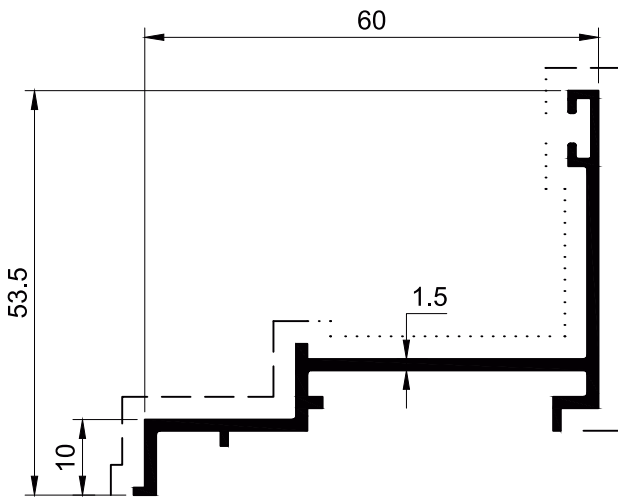
SECTION NO. - CW - 201A
EST. WEIGHT - 1.806 KG./M.



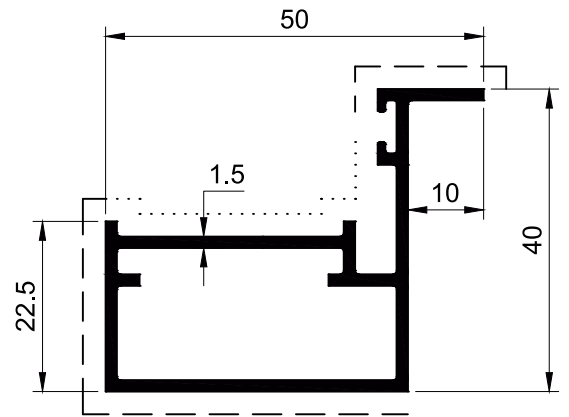
SECTION NO. - CW - 203
EST. WEIGHT - 0.205 KG./M.

----- : Significant Surface
..... : Insignificant Surface

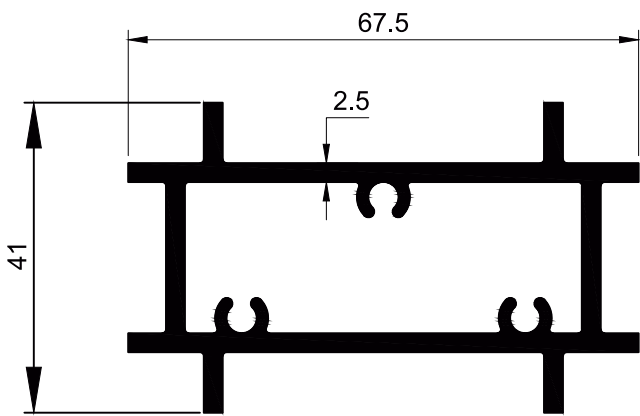
Curtain Wall



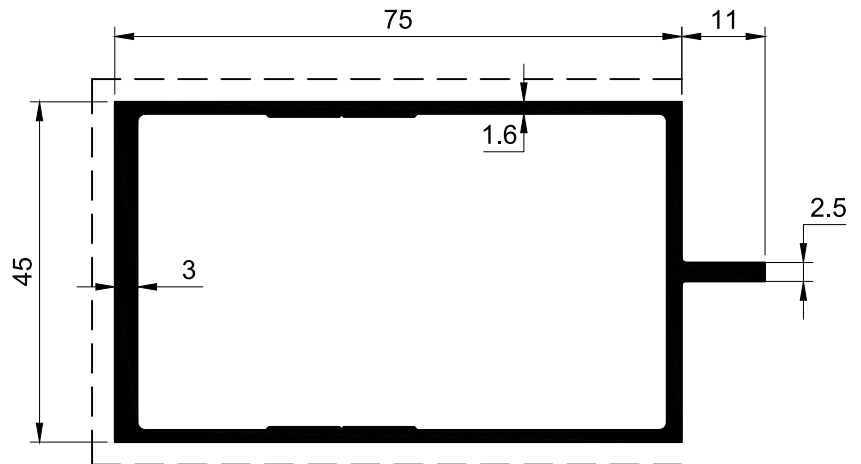
SECTION NO. - CW - 204
EST. WEIGHT - 0.541 KG./M.



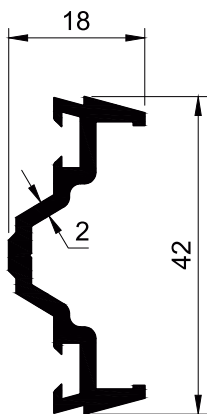
SECTION NO. - CW - 205
EST. WEIGHT - 0.673 KG./M.



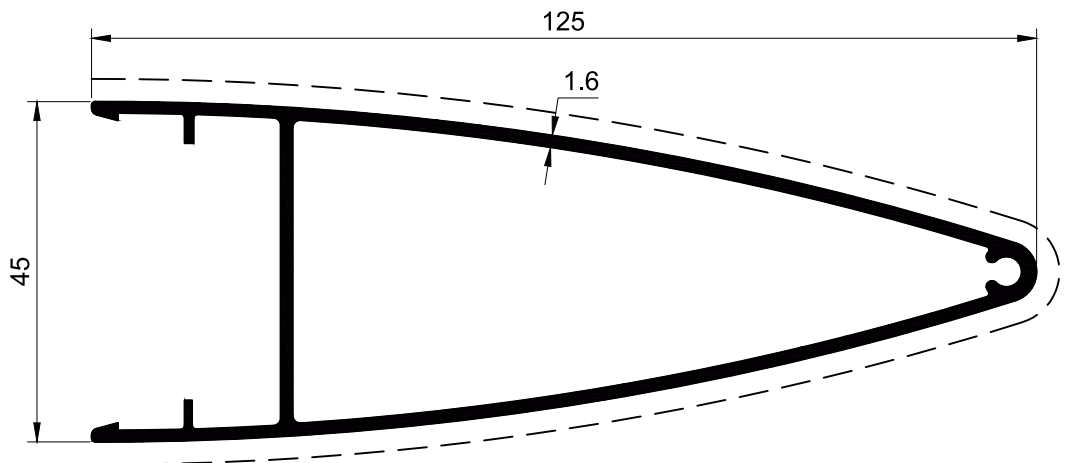
SECTION NO. - CW - 208
EST. WEIGHT - 1.524 KG./M.



SECTION NO. - CW - 209
EST. WEIGHT - 1.331 KG./M.



SECTION NO. - CW - 212
EST. WEIGHT - 0.423 KG./M.

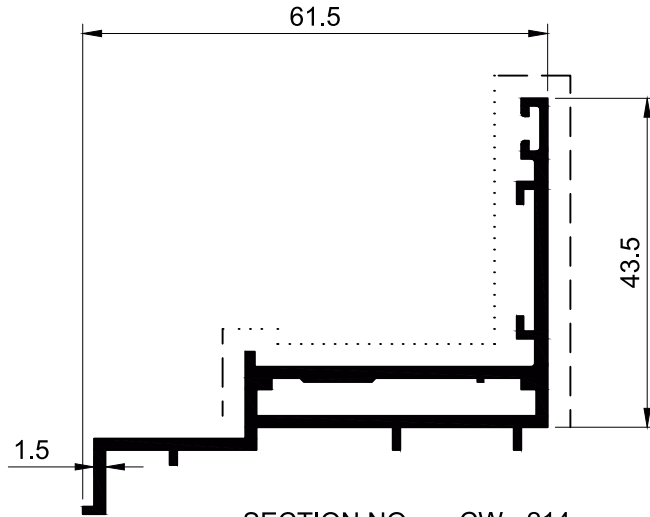


SECTION NO. - CW - 213
EST. WEIGHT - 1.326 KG./M.

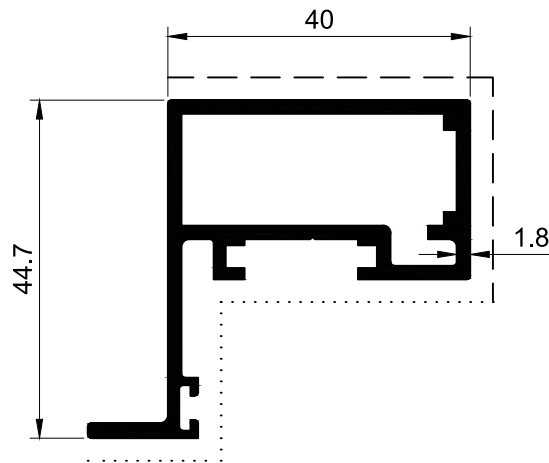
----- : Significant Surface
..... : Insignificant Surface

Curtain Wall

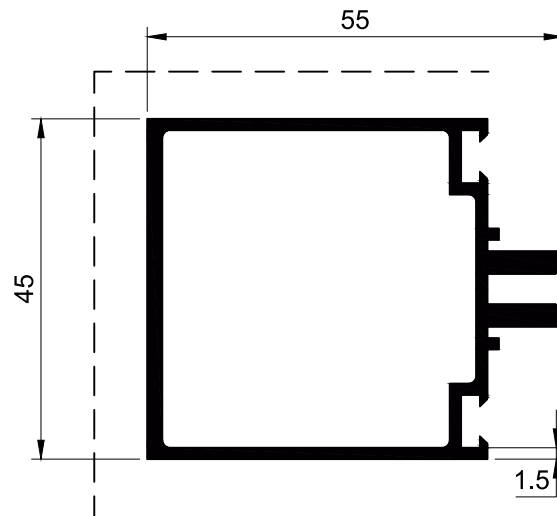
Group 13
Page 06



SECTION NO. - CW - 214
EST. WEIGHT - 0.746 KG./M.



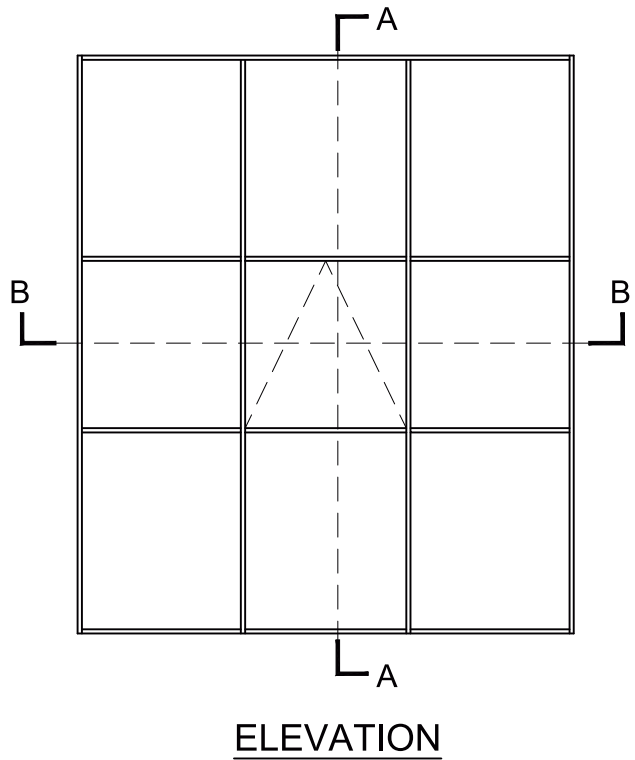
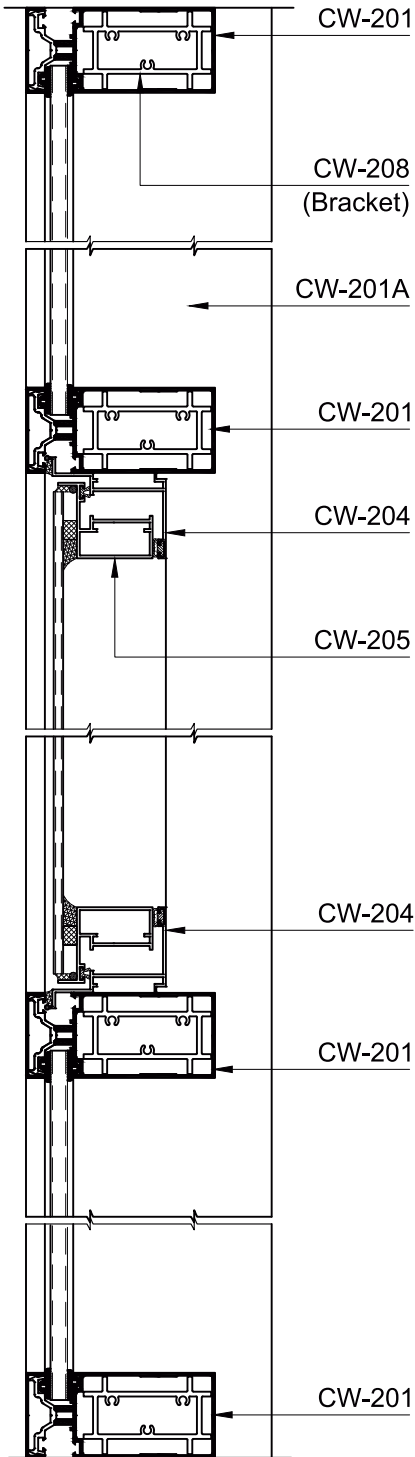
SECTION NO. - CW - 215
EST. WEIGHT - 0.875 KG./M.



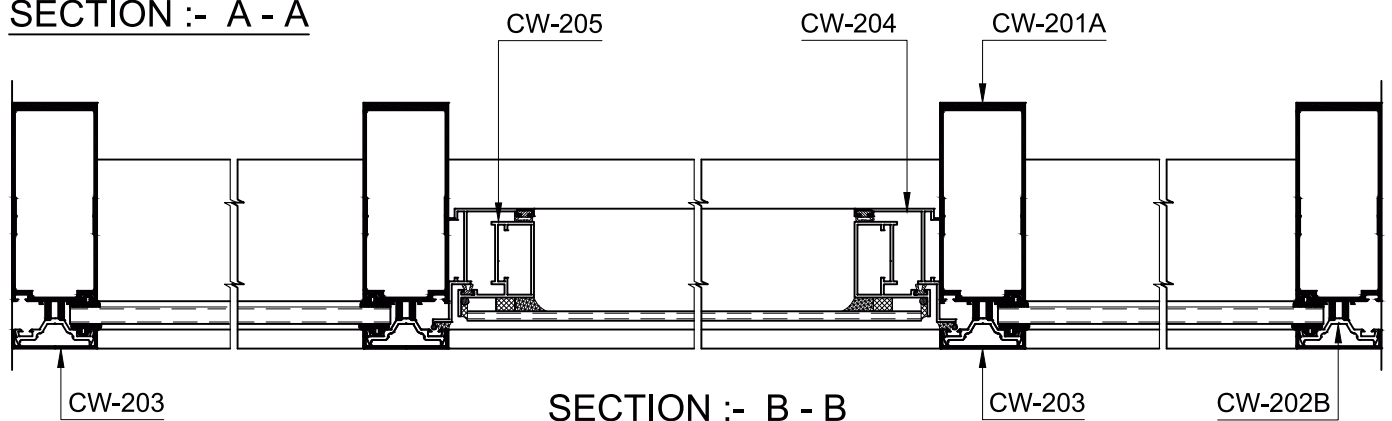
SECTION NO. - CW - 216
EST. WEIGHT - 0.976 KG./M.

----- : Significant Surface
..... : Insignificant Surface

Curtain Wall

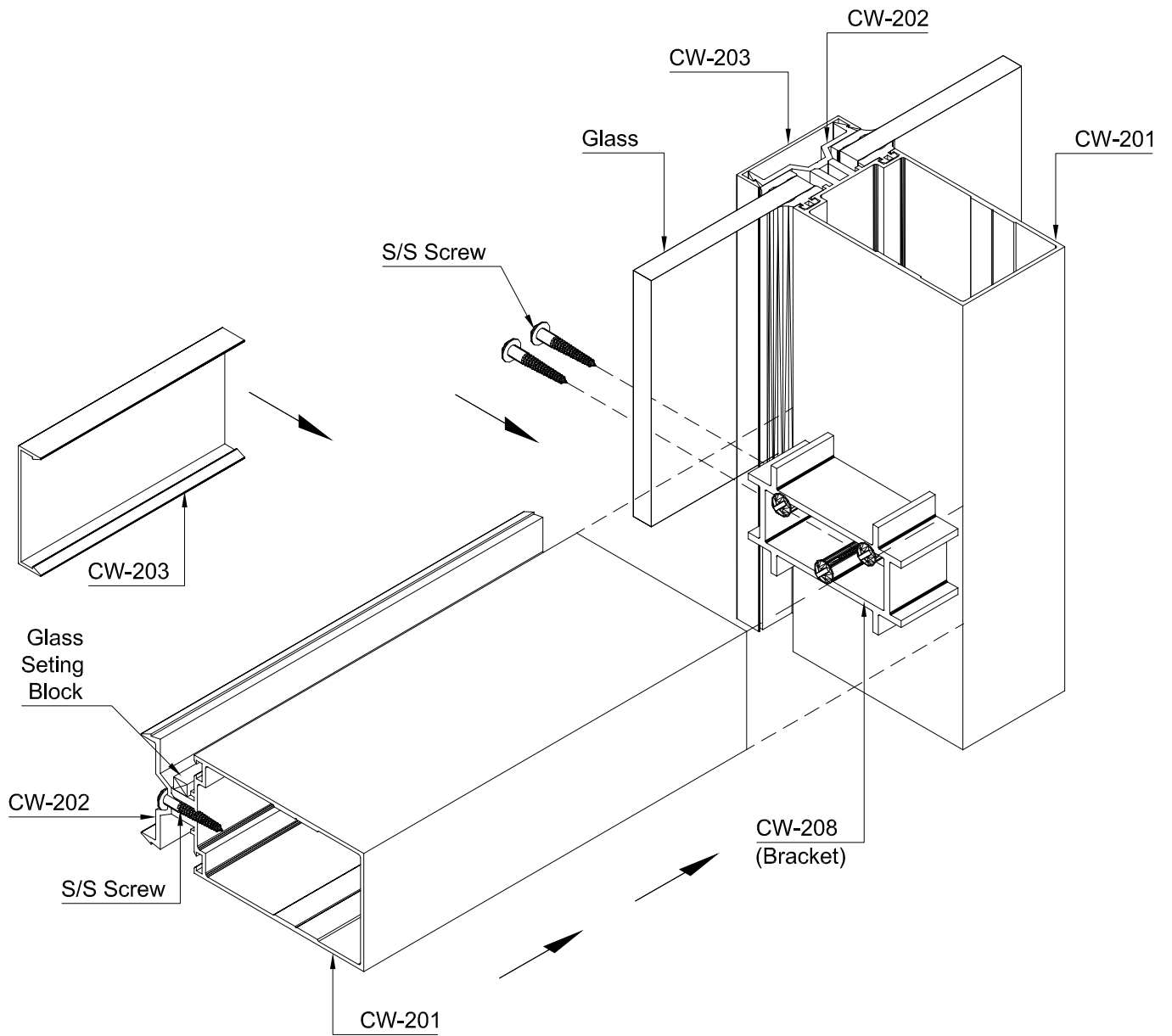


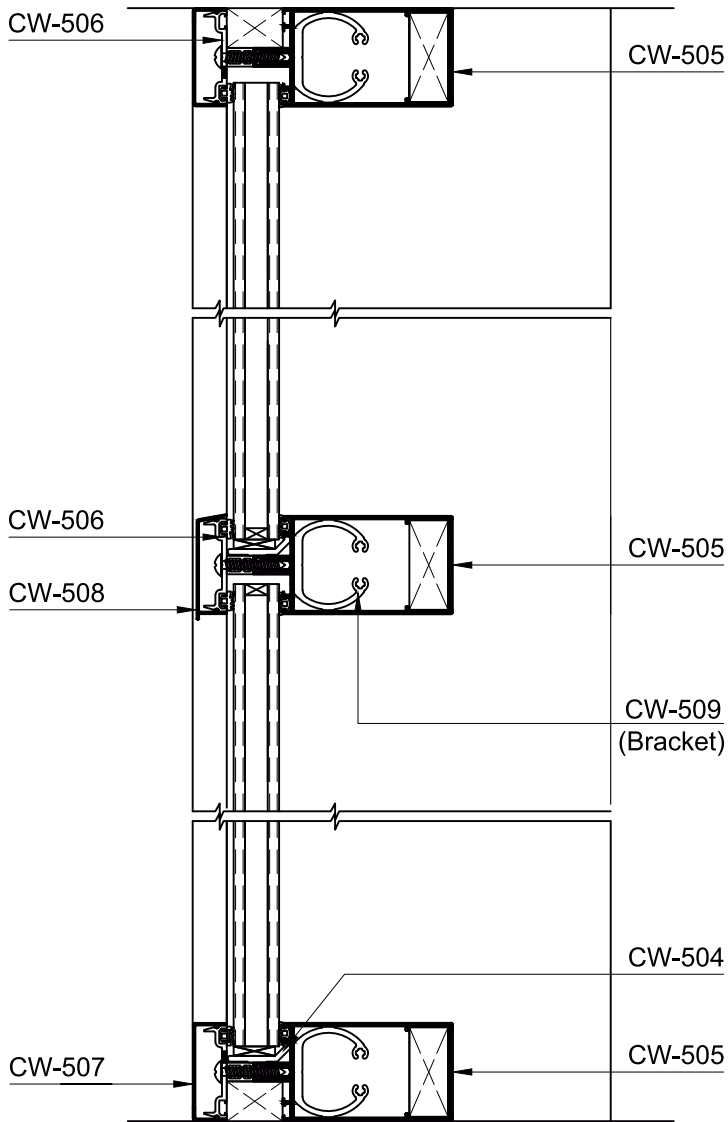
SECTION :- A - A



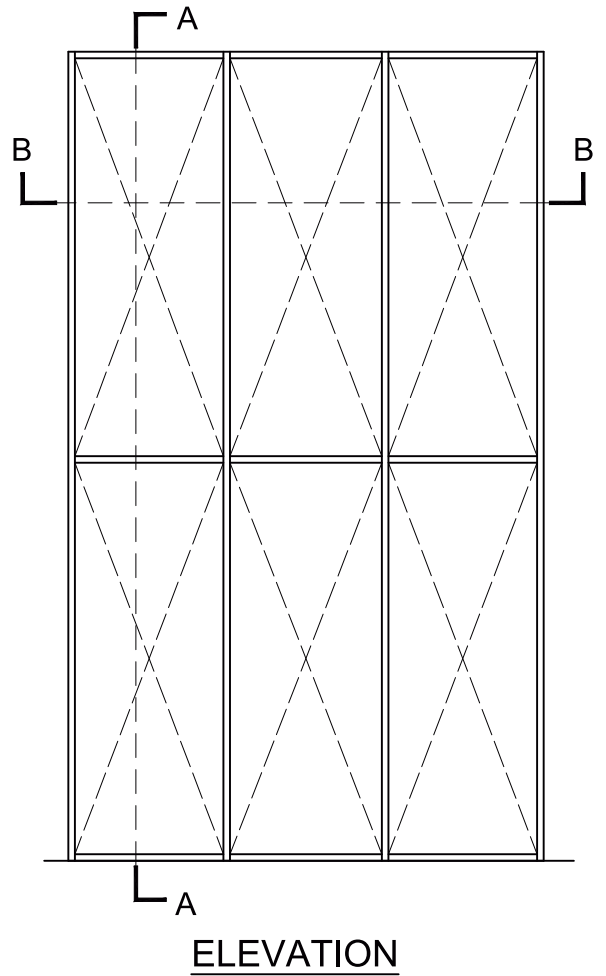
3D Assembly Detail Of Curtain Wall

Group 13
Page 08

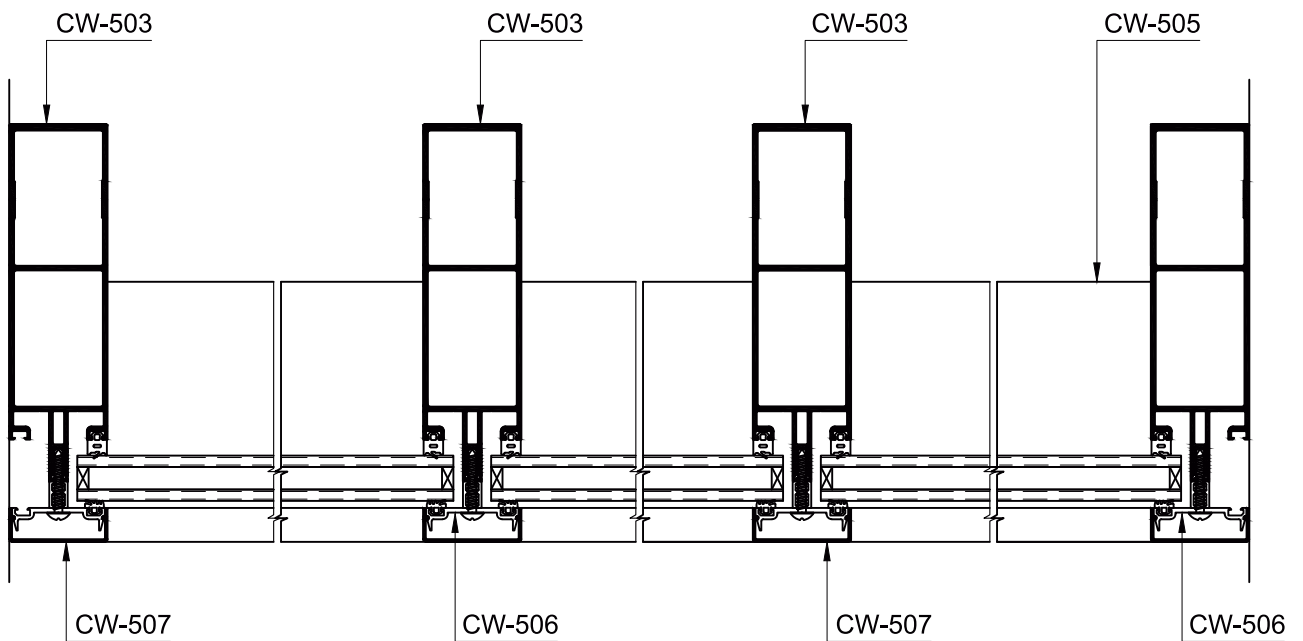




SECTION :- A - A



ELEVATION

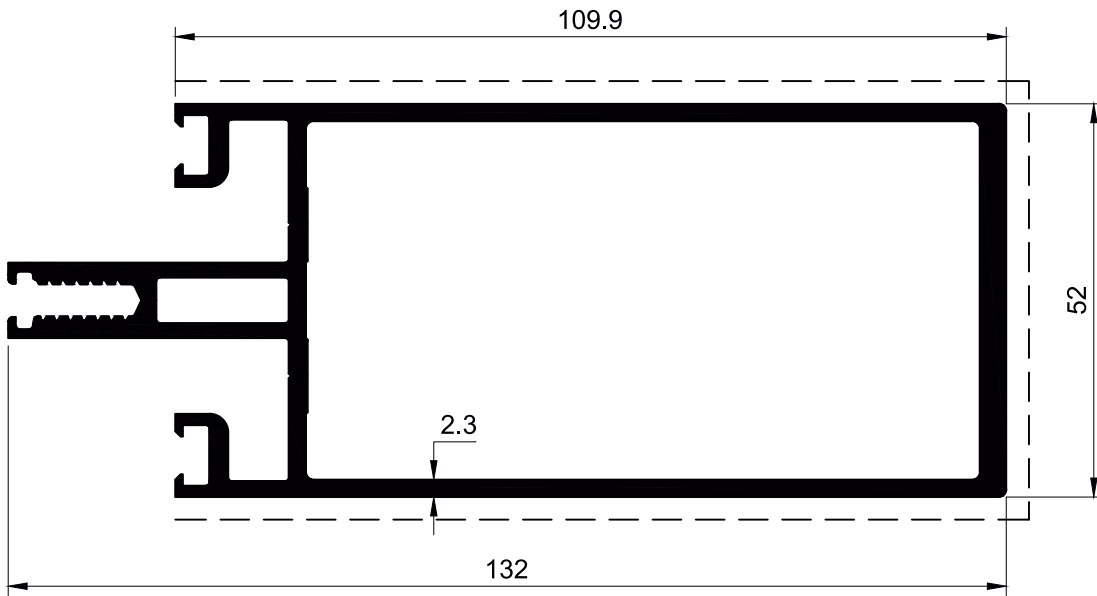


SECTION :- B - B

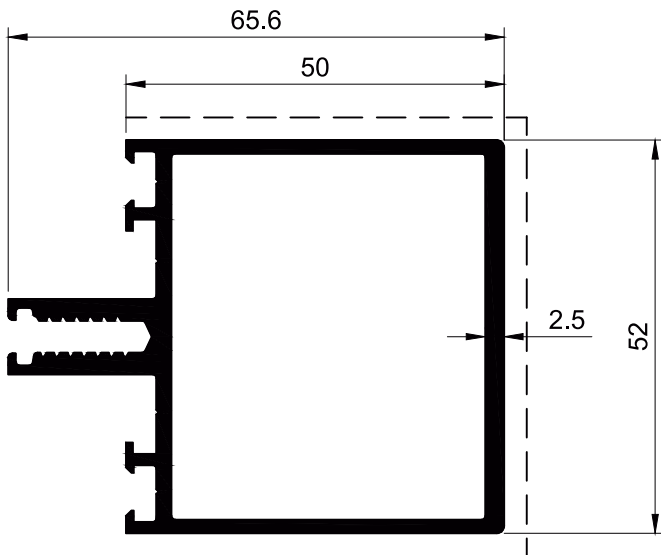
PERFORMANCE TESTS WERE CONDUCTED IN A UKAS ACCREDITED LAB

Curtain Wall Double Glazing

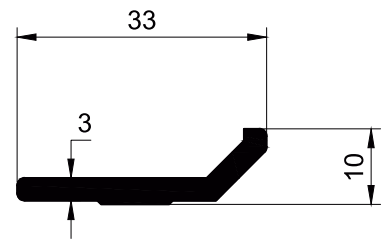
Group 13
Page 10



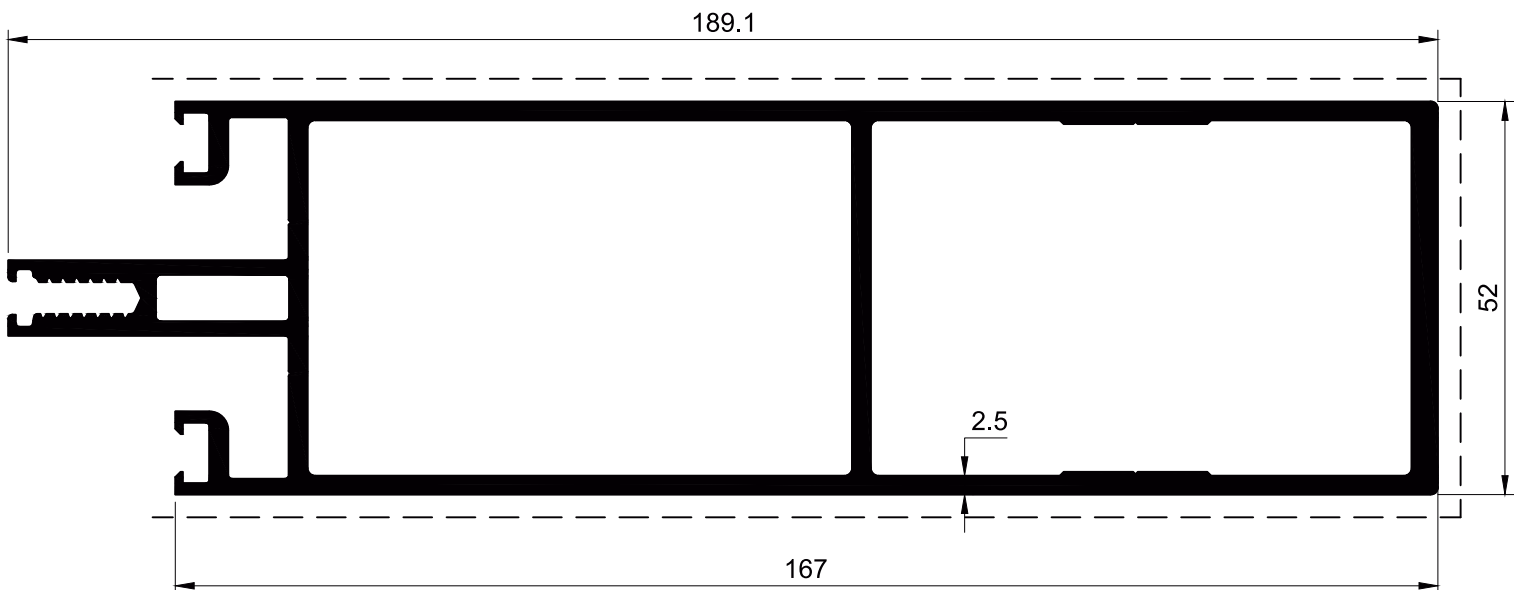
SECTION NO. - CW-501
EST. WEIGHT - 2.744 KG./M.



SECTION NO. - CW-502
EST. WEIGHT - 1.403 KG./M.



SECTION NO. - CW-504
EST. WEIGHT - 0.303 KG./M.

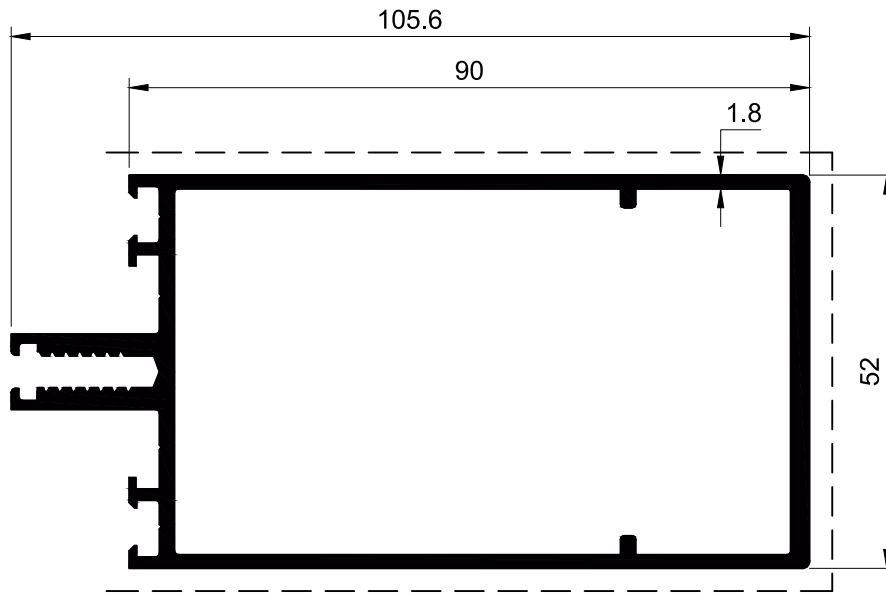


SECTION NO. - CW-503
EST. WEIGHT - 3.997 KG./M.

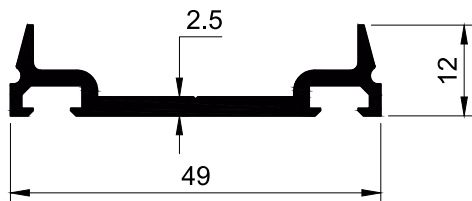
----- : Significant Surface
..... : Insignificant Surface

Curtain Wall Double Glazing

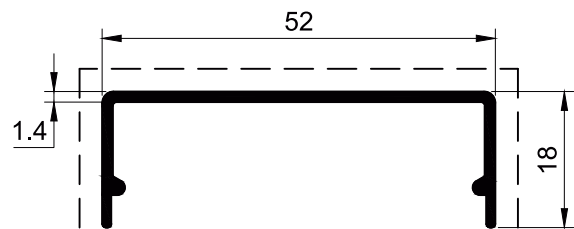
Group 13
Page 11



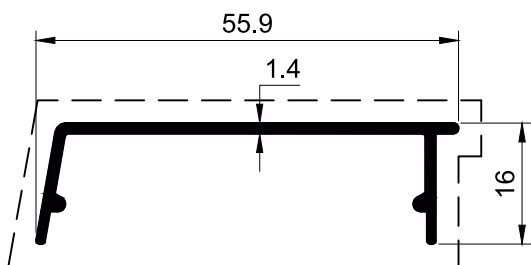
SECTION NO. - CW-505
EST. WEIGHT - 1.809 KG./M.



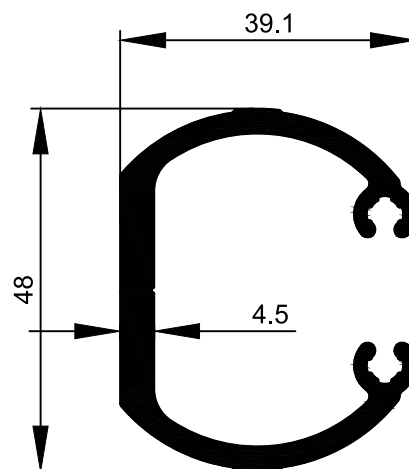
SECTION NO. - CW-506
EST. WEIGHT - 0.422 KG./M.



SECTION NO. - CW-507
EST. WEIGHT - 0.331 KG./M.



SECTION NO. - CW-508
EST. WEIGHT - 0.322 KG./M.

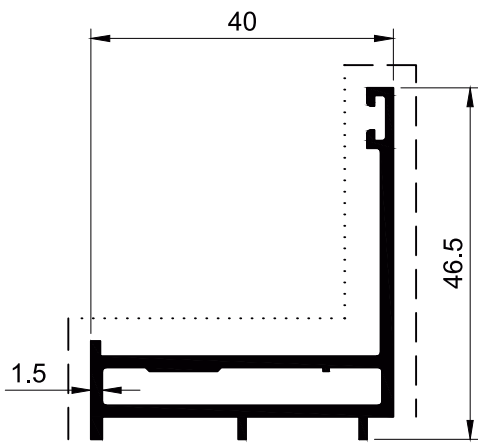


SECTION NO. - CW-509
EST. WEIGHT - 1.165 KG./M.

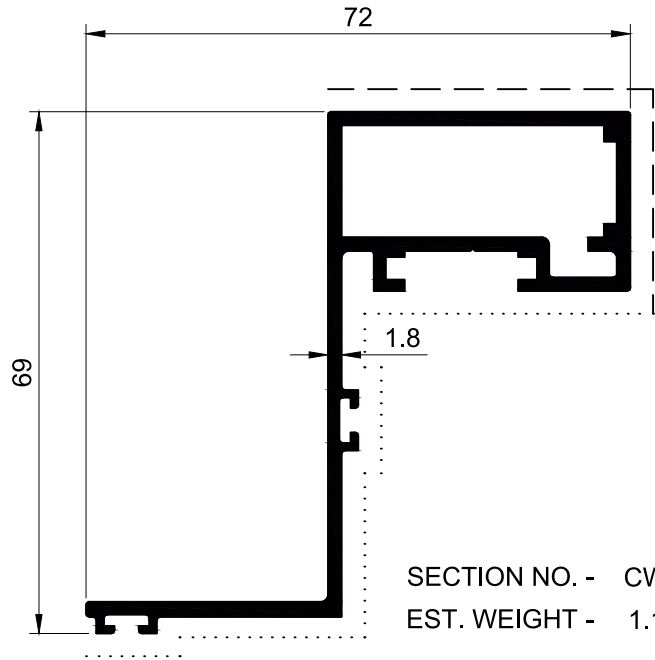
----- : Significant Surface
..... : Insignificant Surface

Curtain Wall Double Glazing

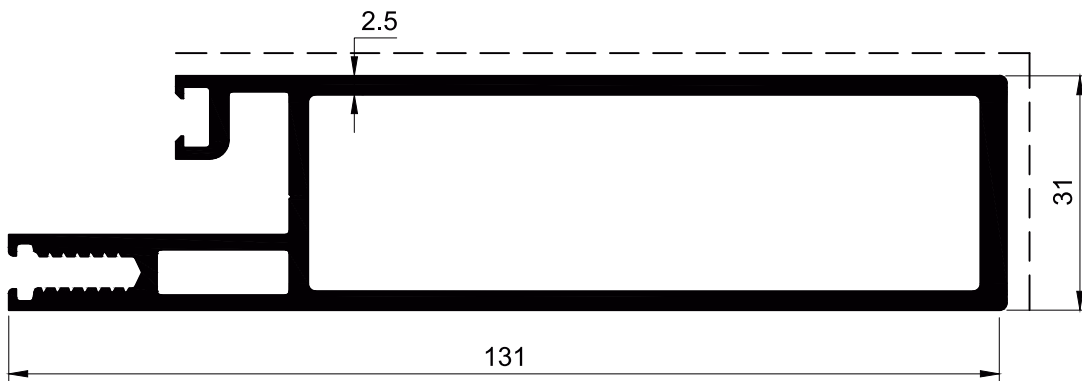
Group 13
Page 12



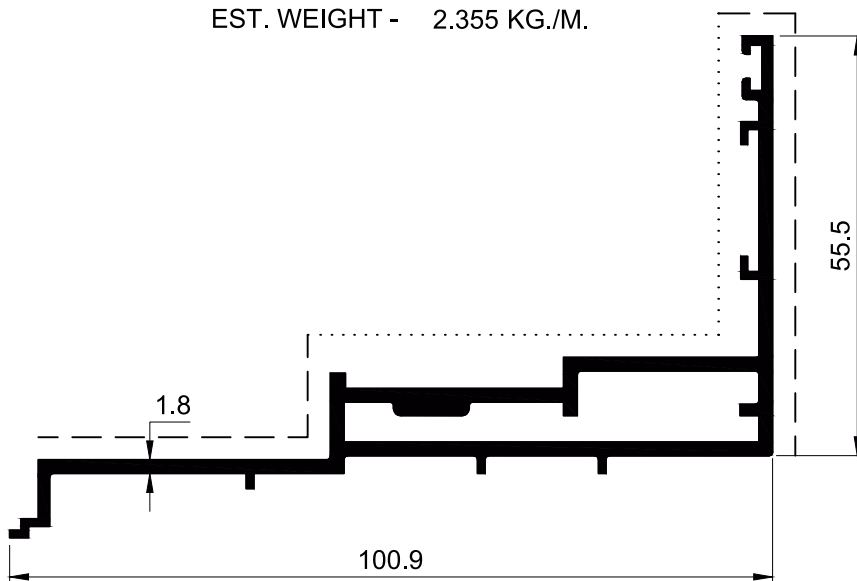
SECTION NO. - CW-510
EST. WEIGHT - 0.583 KG./M.



SECTION NO. - CW-511
EST. WEIGHT - 1.110 KG./M.



SECTION NO. - CW-512
EST. WEIGHT - 2.355 KG./M.

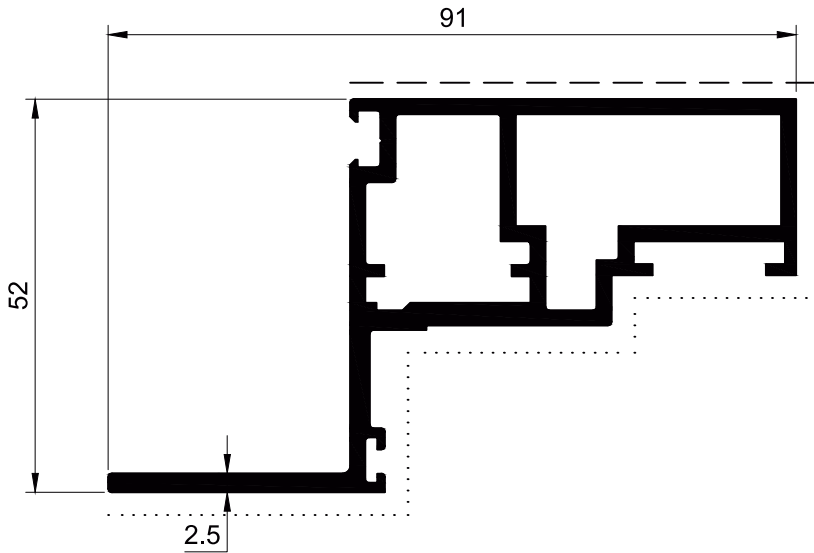


SECTION NO. - CW-513
EST. WEIGHT - 1.243 KG./M.

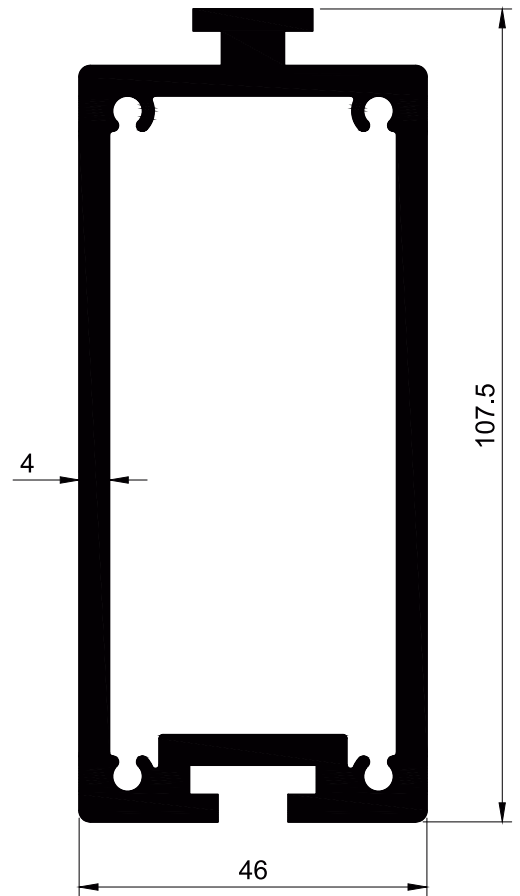
----- : Significant Surface
..... : Insignificant Surface

Curtain Wall Double Glazing

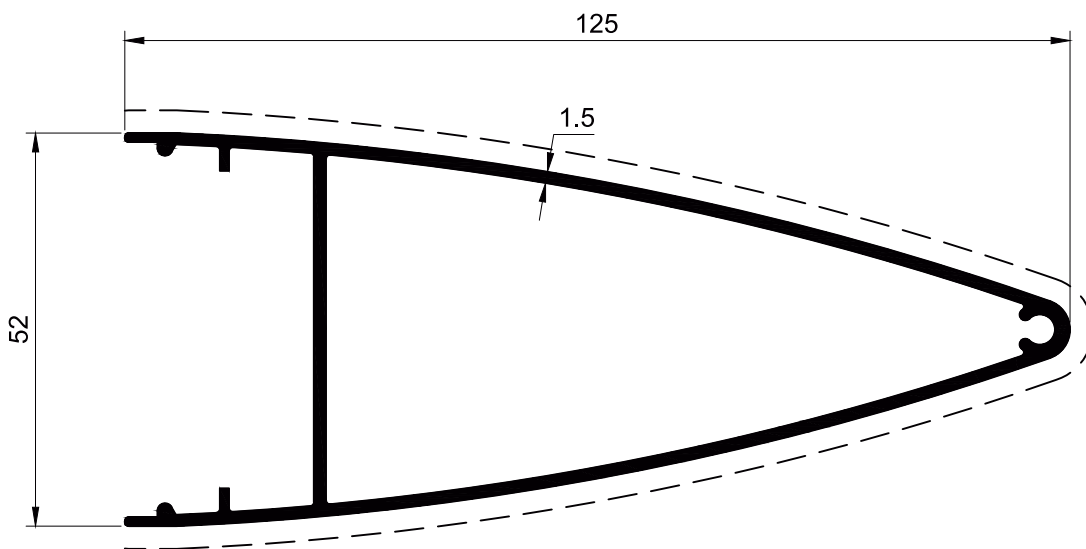
Group 13
Page 13



SECTION NO. - CW-514
EST. WEIGHT - 1.603 KG./M.



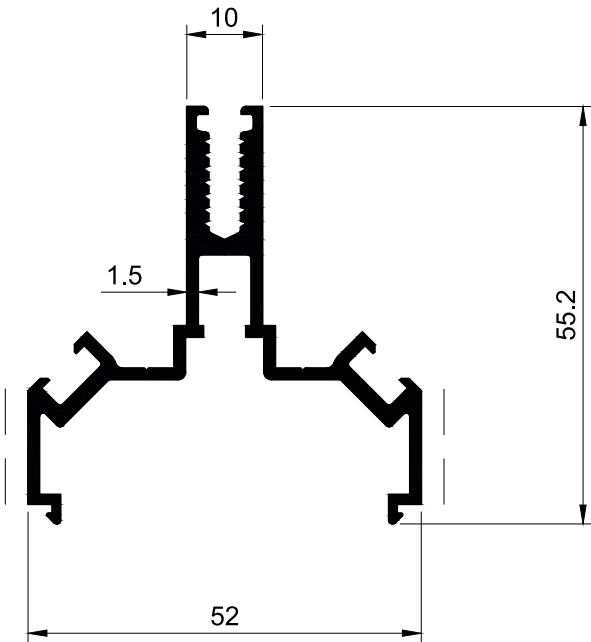
SECTION NO. - CW-515
EST. WEIGHT - 3.575 KG./M.



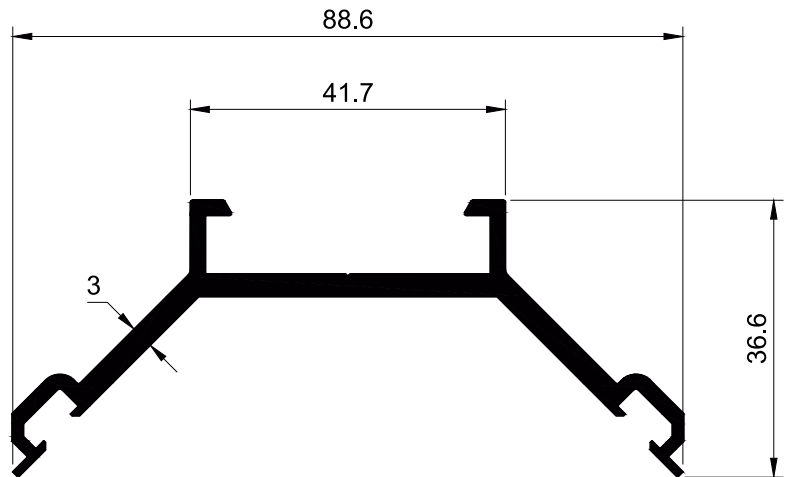
SECTION NO. - CW-516
EST. WEIGHT - 1.300 KG./M.

----- : Significant Surface
..... : Insignificant Surface

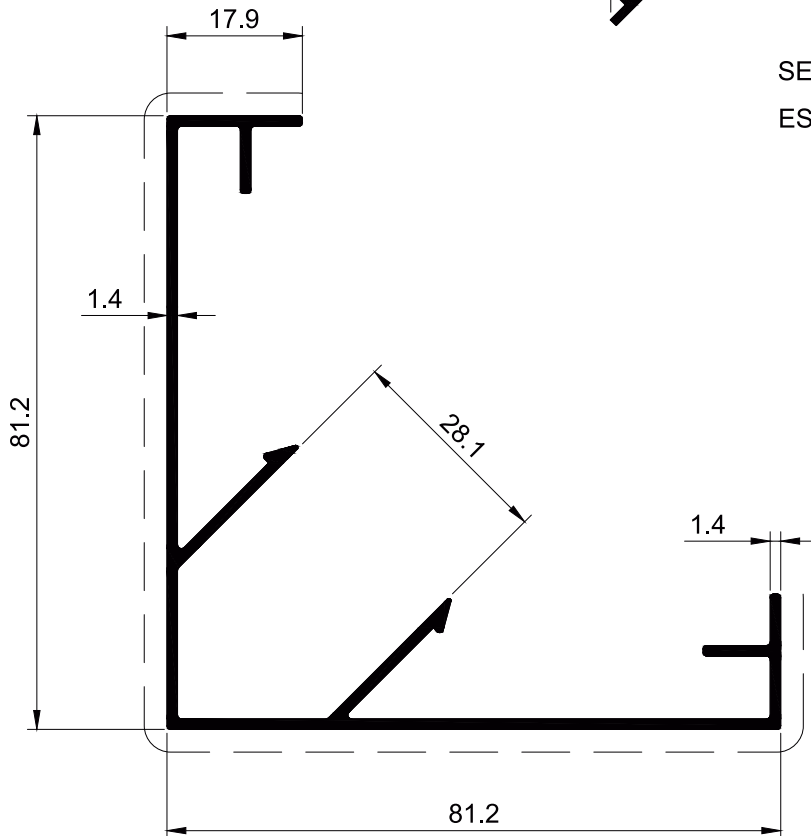
Curtain Wall Double Glazing



SECTION NO. - CW-517
EST. WEIGHT - 0.886 KG./M.

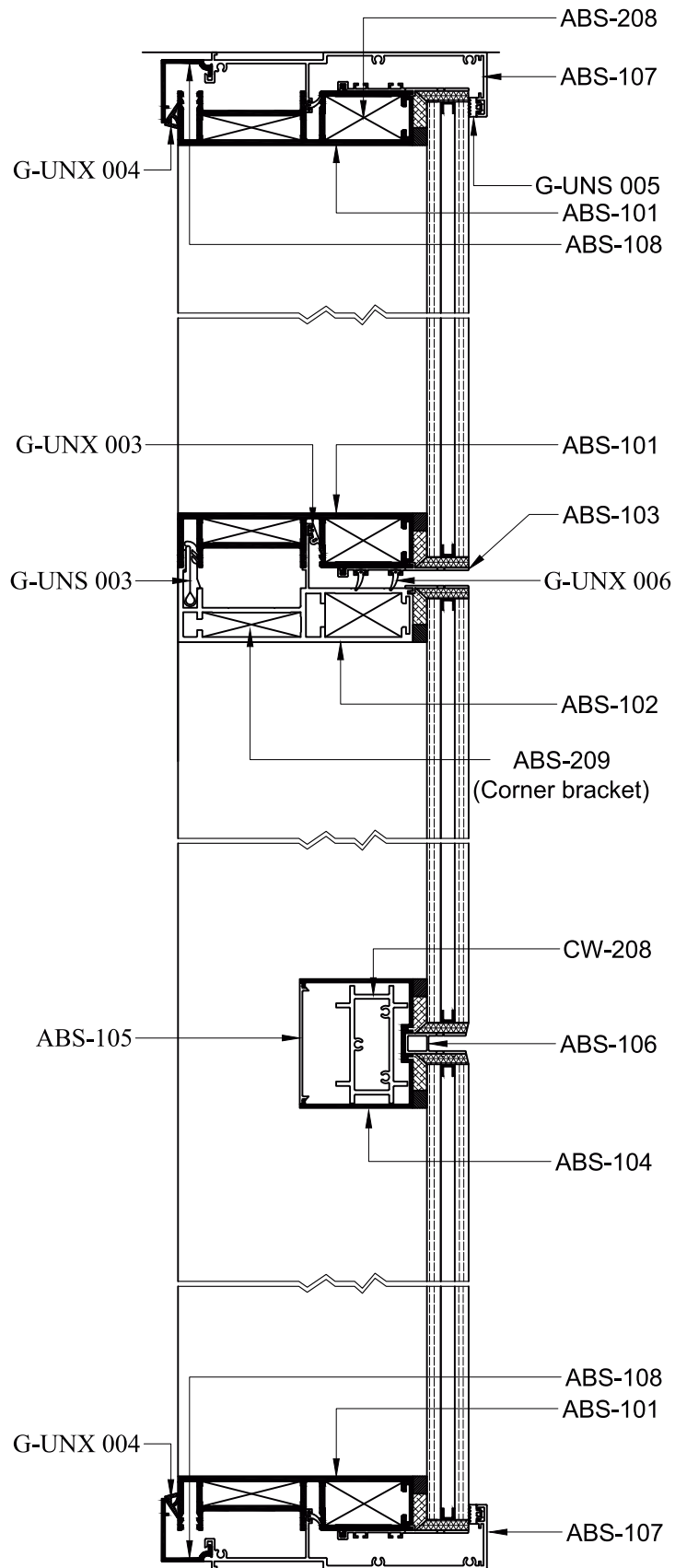


SECTION NO. - CW-518
EST. WEIGHT - 1.009 KG./M.

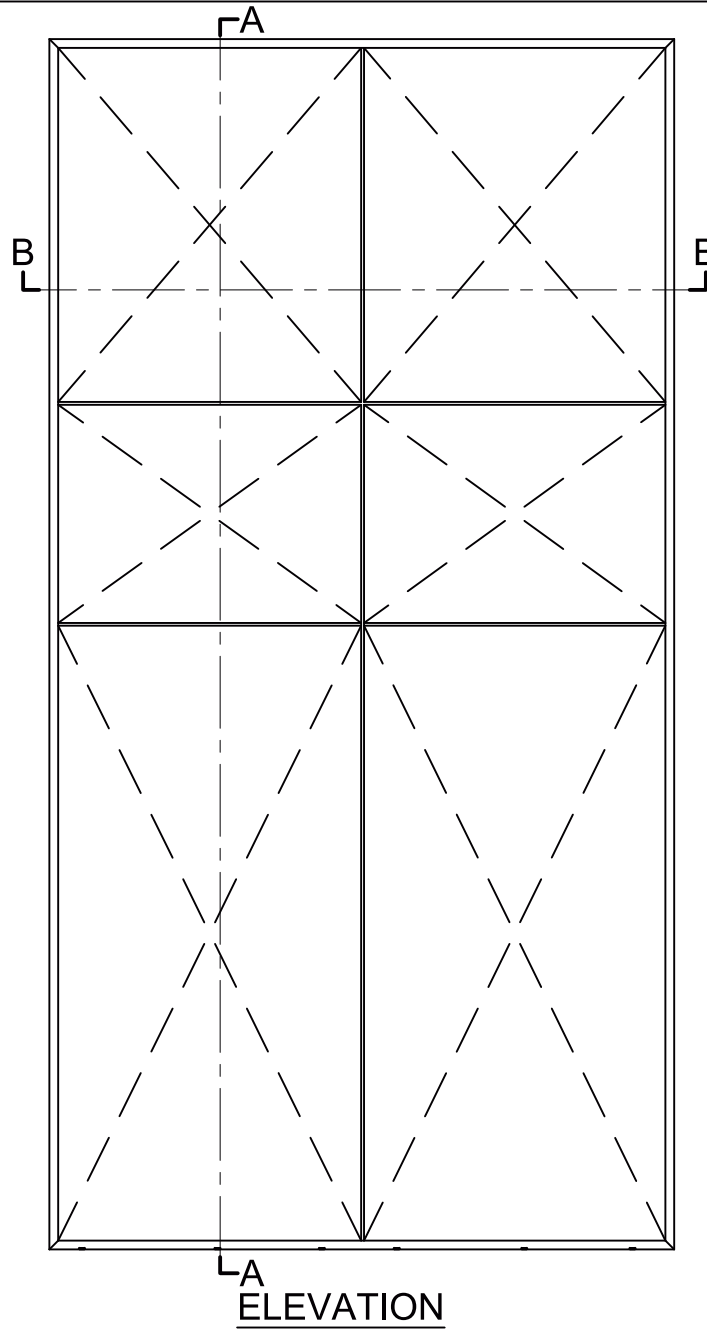


SECTION NO. - CW-519
EST. WEIGHT - 0.973 KG./M.

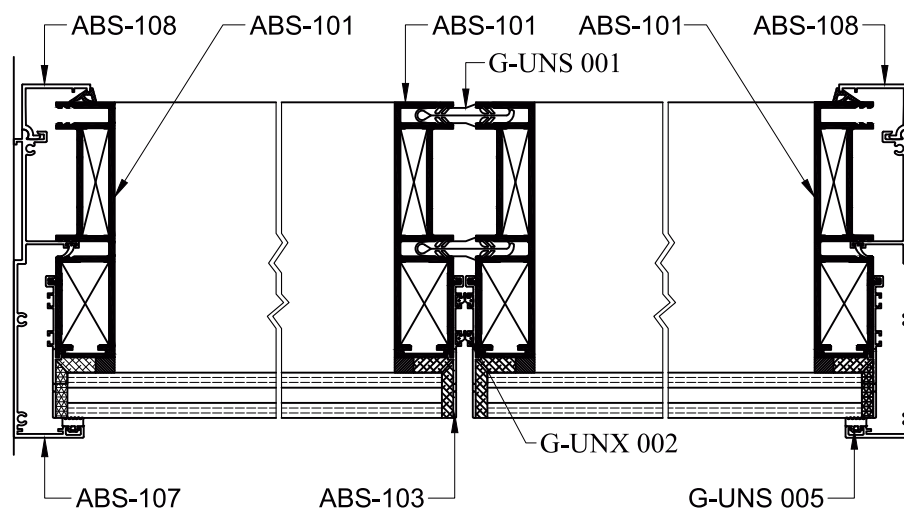
----- : Significant Surface
..... : Insignificant Surface



Section :- A - A



ELEVATION

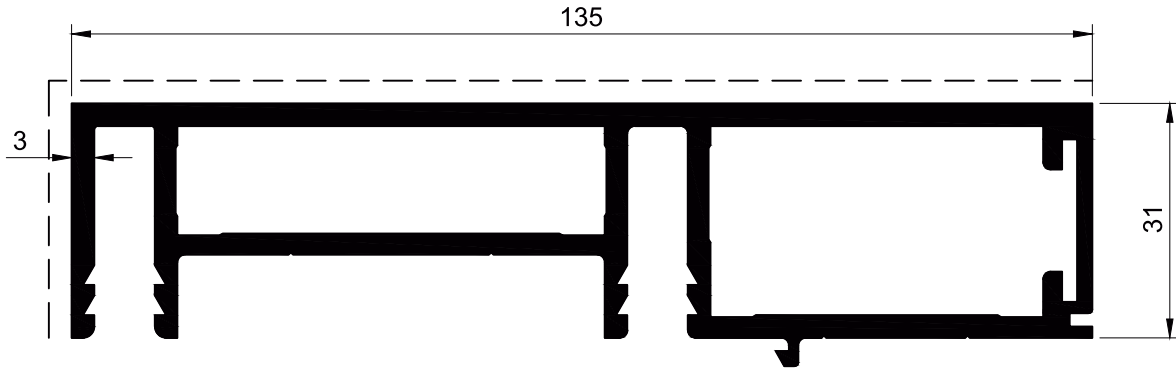


SECTION :- B - B

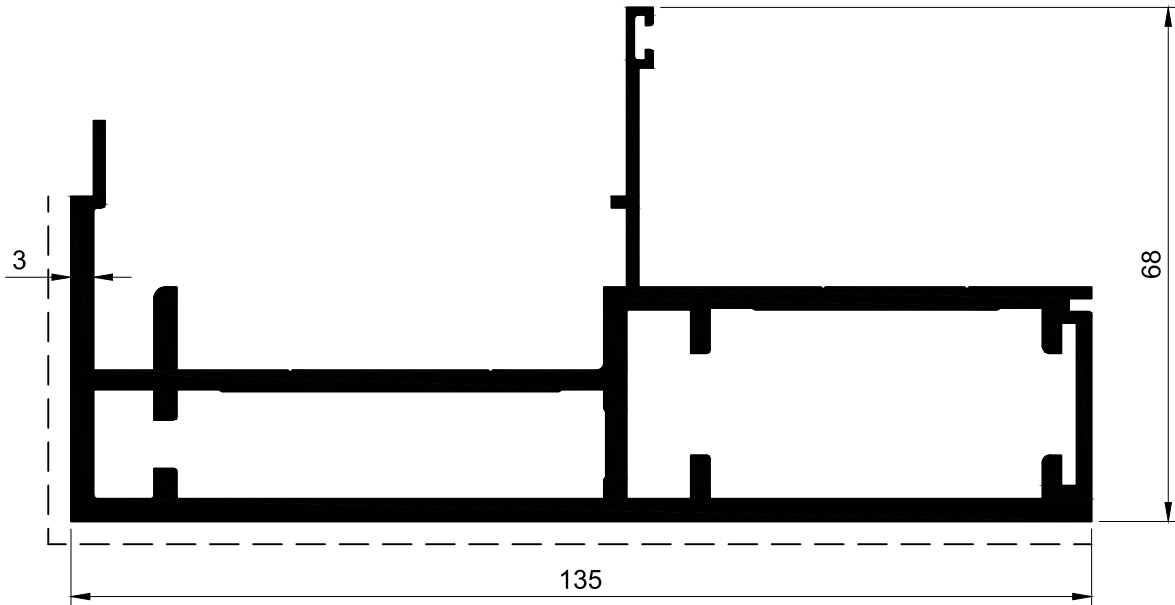
PERFORMANCE TESTS WERE CONDUCTED IN A UKAS ACCREDITED LAB

Unitized Curtain Wall Double Glazing

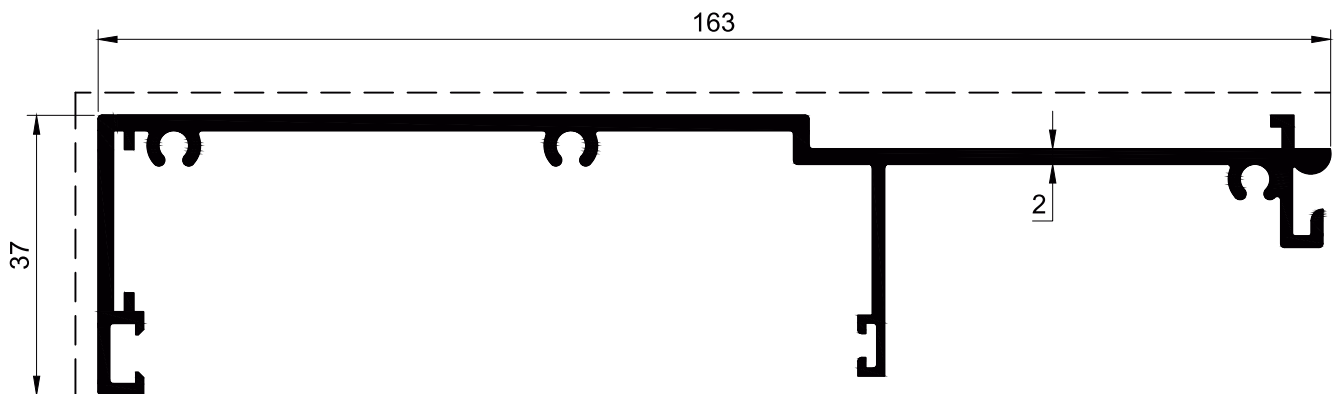
Group 13
Page 18



SECTION NO. - ABS-101
EST. WEIGHT - 2.993 KG./M.



SECTION NO. - ABS-102
EST. WEIGHT - 3.292 KG./M.

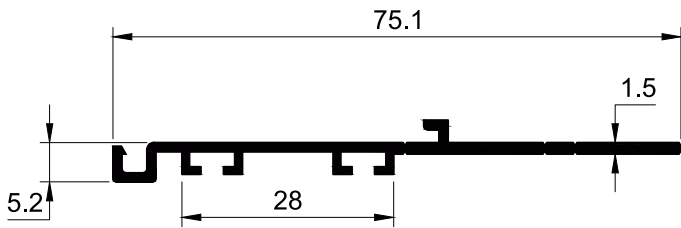


SECTION NO. - ABS-107
EST. WEIGHT - 1.501 KG./M.

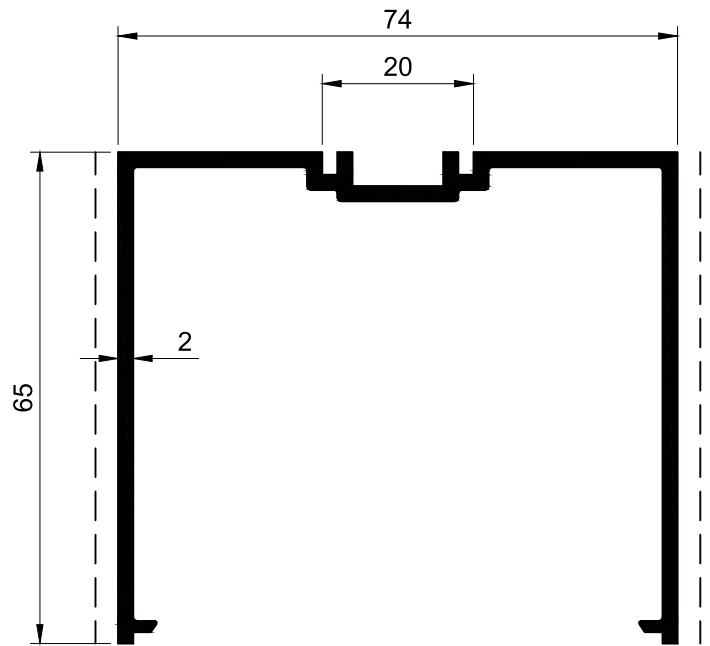
----- : Significant Surface
..... : Insignificant Surface

Unitized Curtain Wall Double Glazing

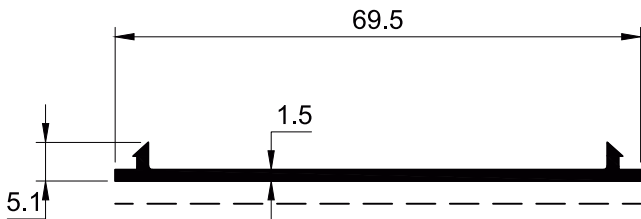
Group 13
Page 19



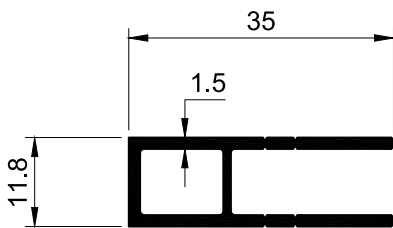
SECTION NO. - ABS-103
EST. WEIGHT - 0.361 KG./M.



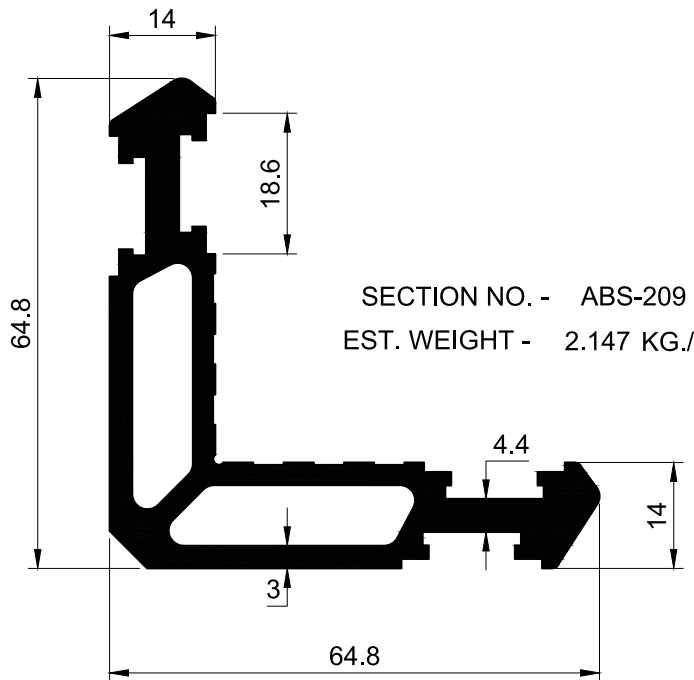
SECTION NO. - ABS-104
EST. WEIGHT - 1.184 KG./M.



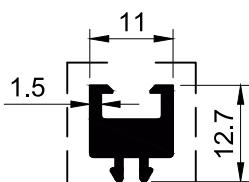
SECTION NO. - ABS-105
EST. WEIGHT - 0.306 KG./M.



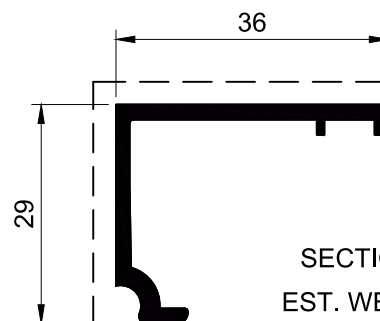
SECTION NO. - ABS-106
EST. WEIGHT - 0.340 KG./M.



SECTION NO. - ABS-209
EST. WEIGHT - 2.147 KG./M.

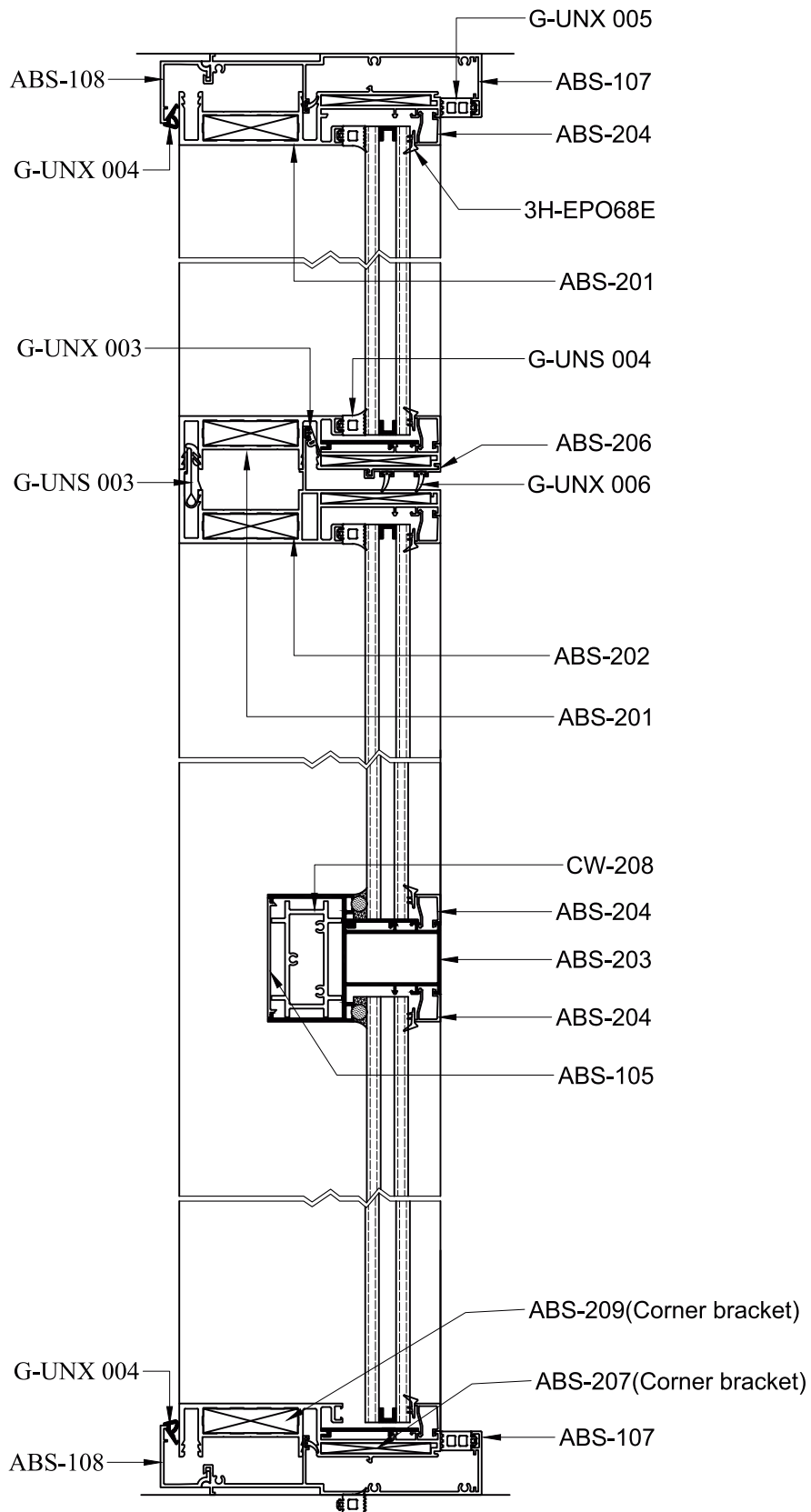


SECTION NO. - ABS-109
EST. WEIGHT - 0.212 KG./M.

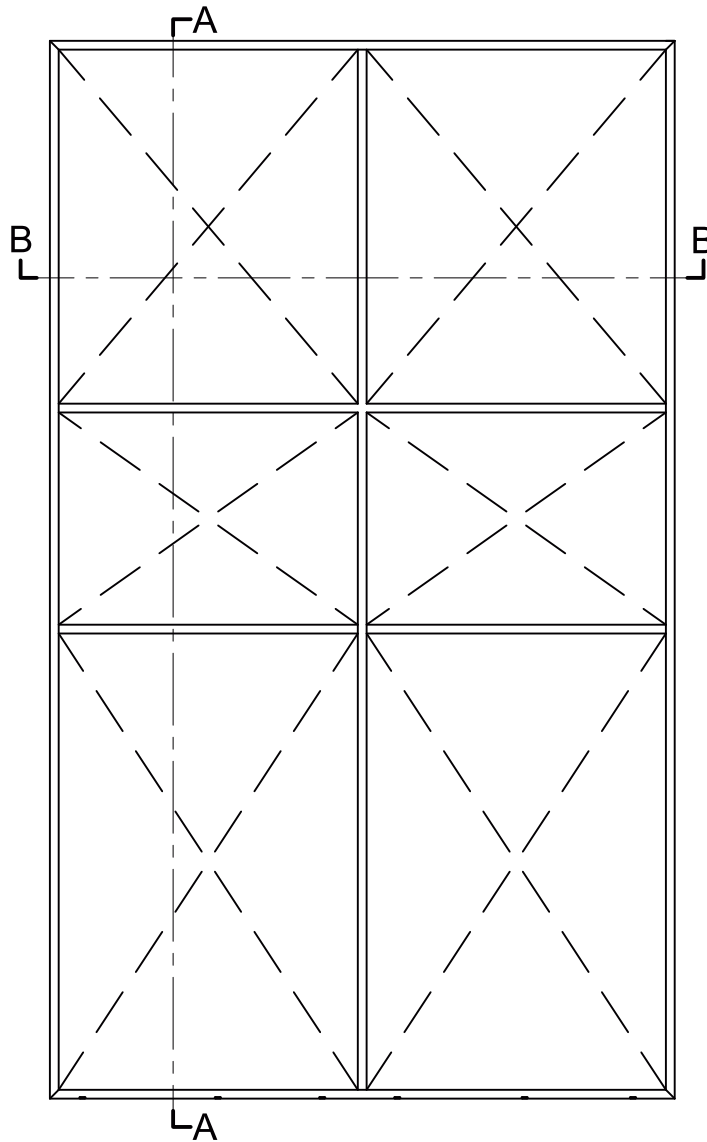


SECTION NO. - ABS-108
EST. WEIGHT - 0.388 KG./M.

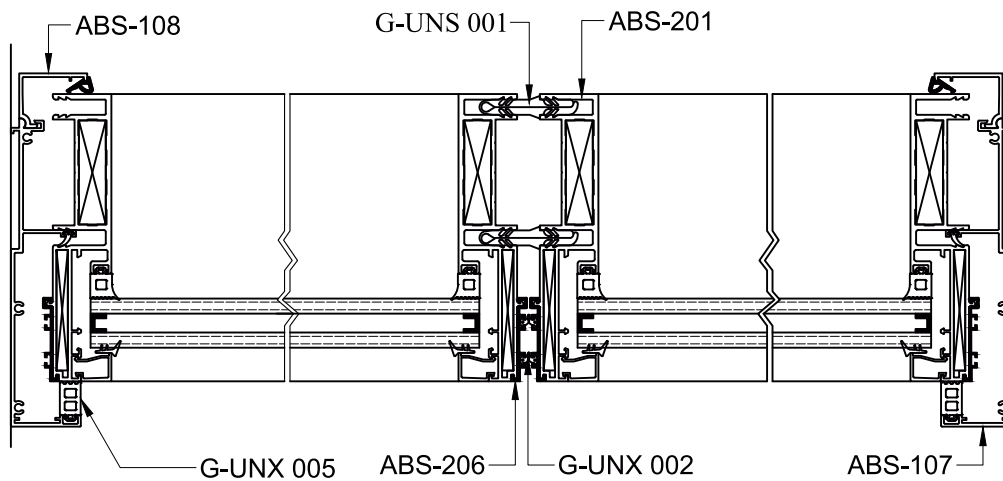
----- : Significant Surface
..... : Insignificant Surface



SECTION :- A - A



ELEVATION

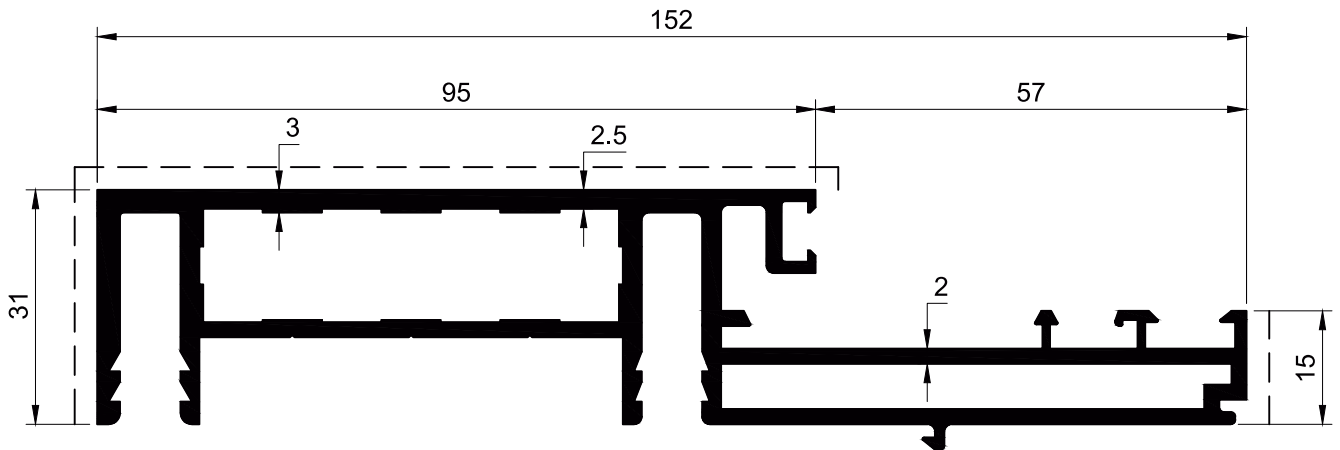


SECTION :- B - B

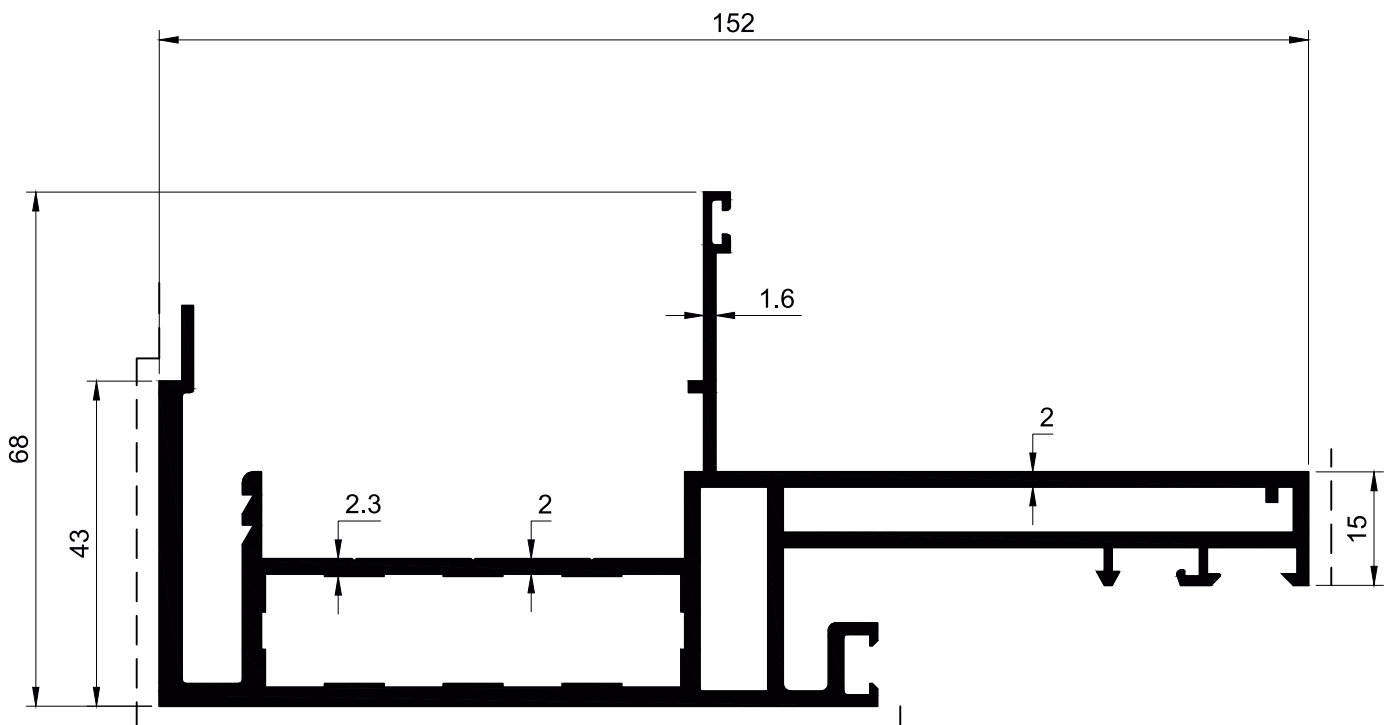
PERFORMANCE TESTS WERE CONDUCTED IN A UKAS ACCREDITED LAB

Unitized Curtain Wall Double Glazing

Group 13
Page 22



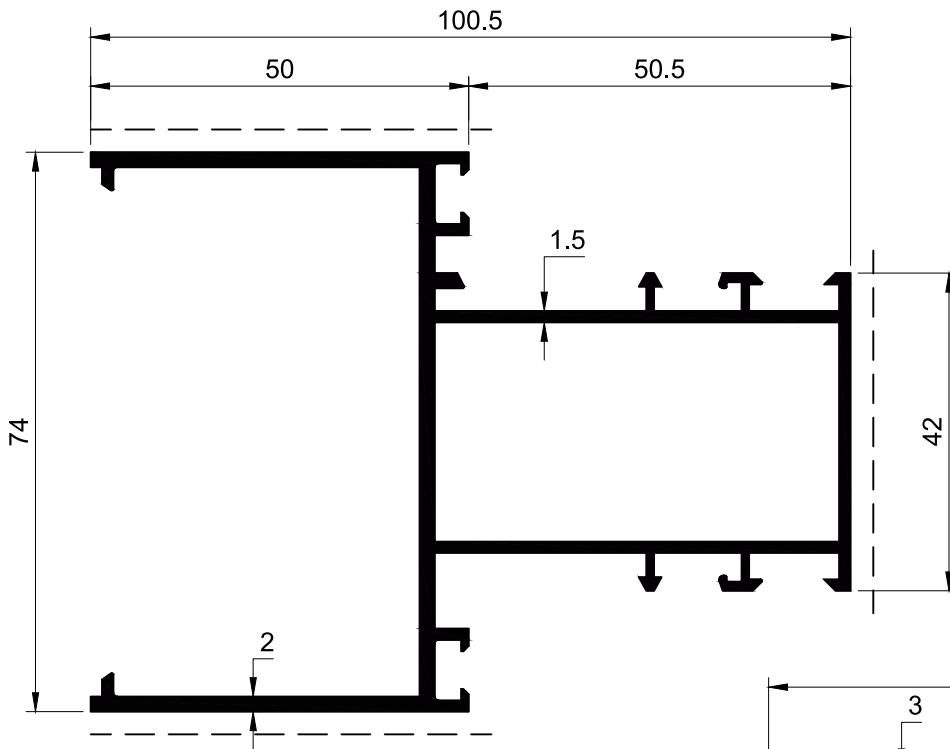
SECTION NO. - ABS-201
EST. WEIGHT - 2.766 KG./M.



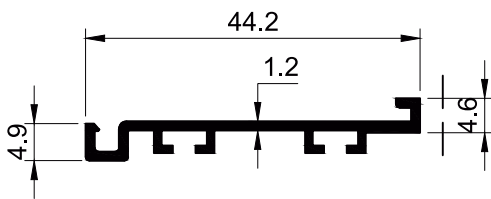
SECTION NO. - ABS-202
EST. WEIGHT - 3.023 KG./M.

----- : Significant Surface
..... : Insignificant Surface

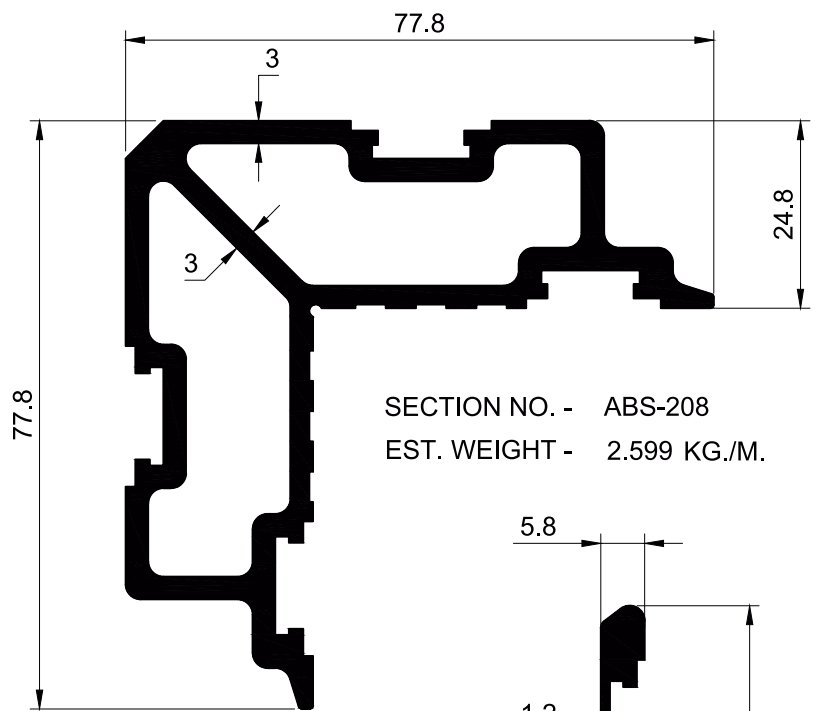
Unitized Curtain Wall Double Glazing



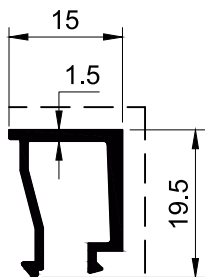
SECTION NO. - ABS-203
EST. WEIGHT - 1.706 KG./M.



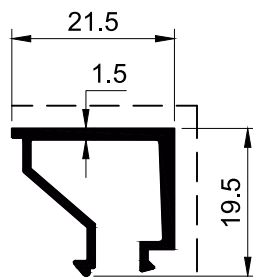
SECTION NO. - ABS-206
EST. WEIGHT - 0.239 KG./M.



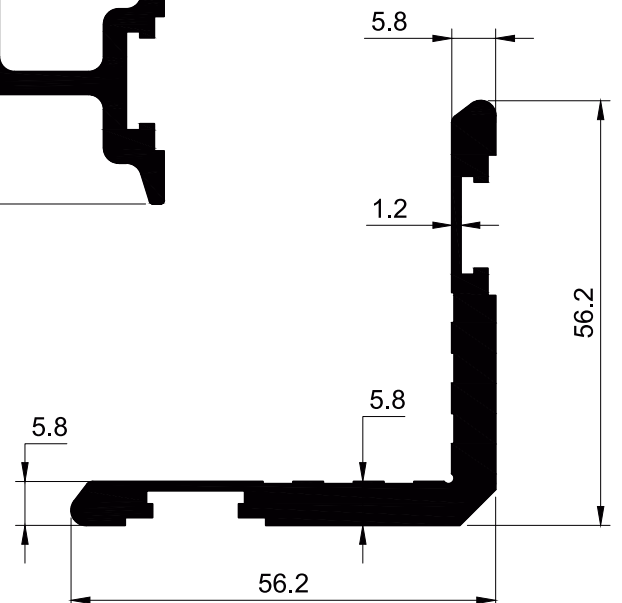
SECTION NO. - ABS-208
EST. WEIGHT - 2.599 KG./M.



SECTION NO. - ABS-205
EST. WEIGHT - 0.199 KG./M.



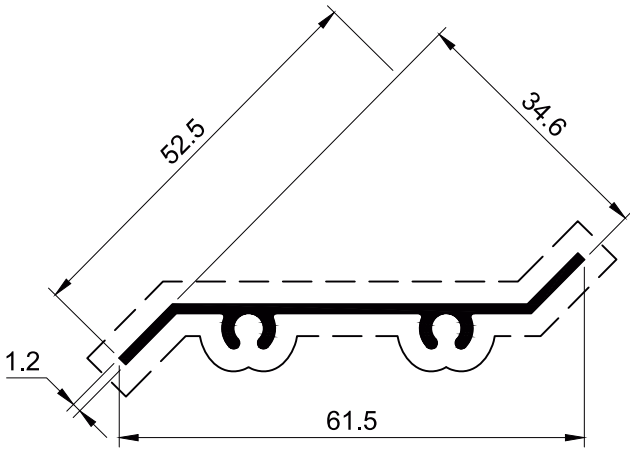
SECTION NO. - ABS-204
EST. WEIGHT - 0.235 KG./M.



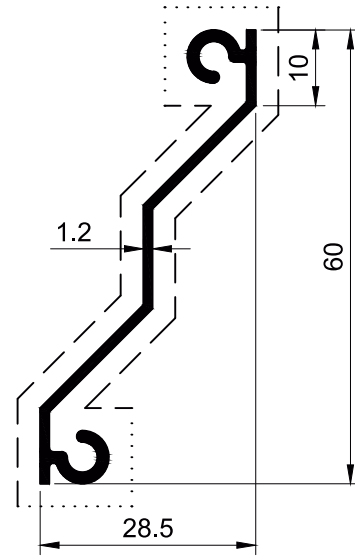
SECTION NO. - ABS-207
EST. WEIGHT - 1.253 KG./M.

----- : Significant Surface
..... : Insignificant Surface

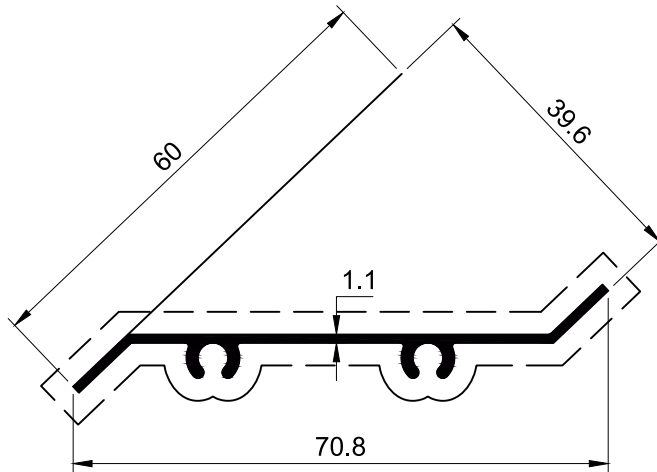
Louvers



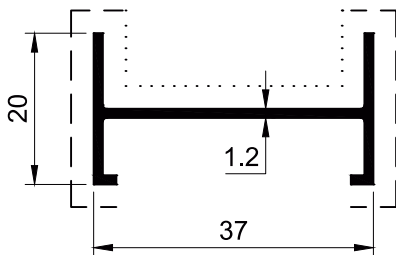
SECTION NO. - DG-01
EST. WEIGHT - 0.298 KG./M.



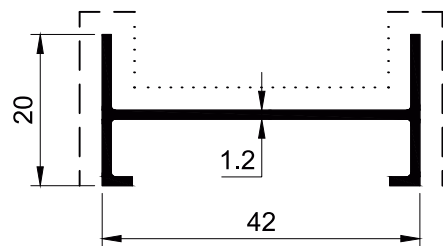
SECTION NO. - DG-03
EST. WEIGHT - 0.353 KG./M.



SECTION NO. - DG-02
EST. WEIGHT - 0.307 KG./M.



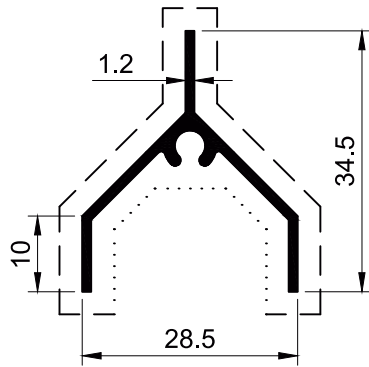
SECTION NO. - DG-101
EST. WEIGHT - 0.254 KG./M.



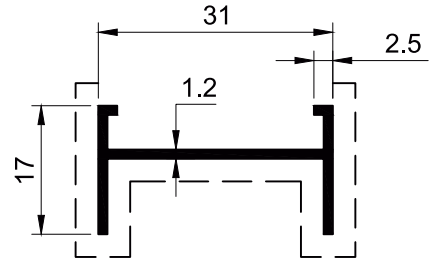
SECTION NO. - DG-102
EST. WEIGHT - 0.277 KG./M.

----- : Significant Surface
..... : Insignificant Surface

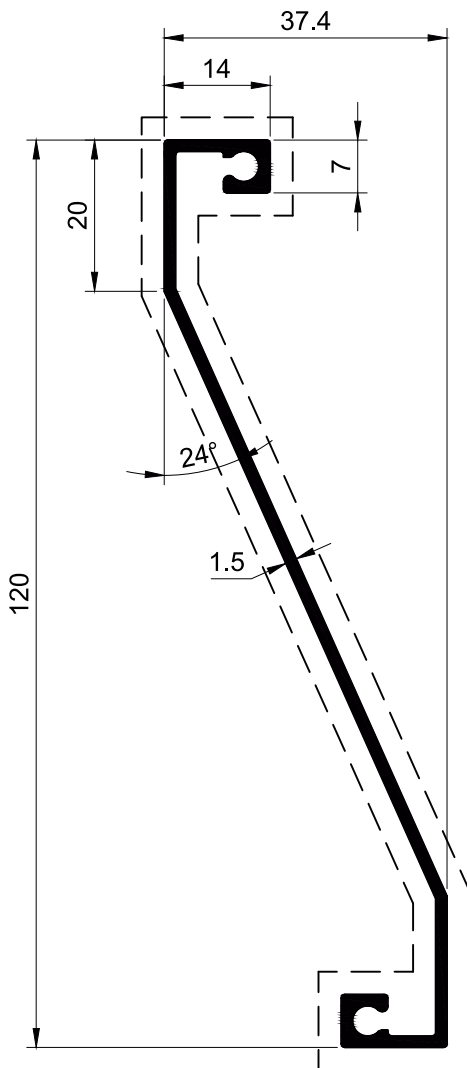
Louvers



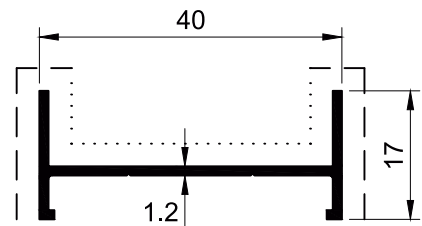
SECTION NO. - DG-04
EST. WEIGHT - 0.257 KG./M.



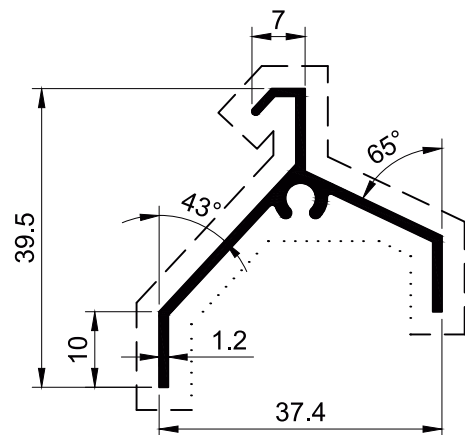
SECTION NO. - DG-103
EST. WEIGHT - 0.212 KG./M.



SECTION NO. - DG-05
EST. WEIGHT - 0.722 KG./M.



SECTION NO. - DG-104
EST. WEIGHT - 0.238 KG./M.

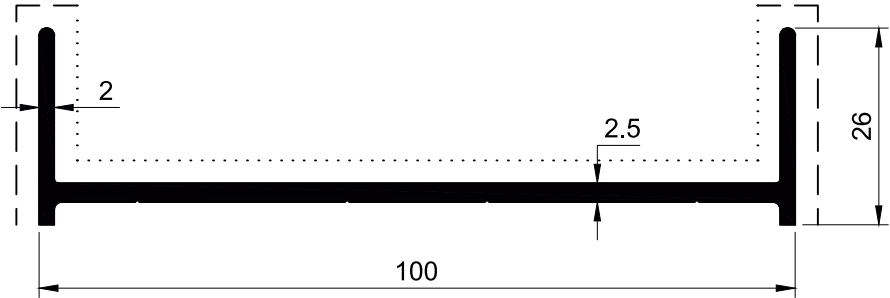


SECTION NO. - DG-06
EST. WEIGHT - 0.302 KG./M.

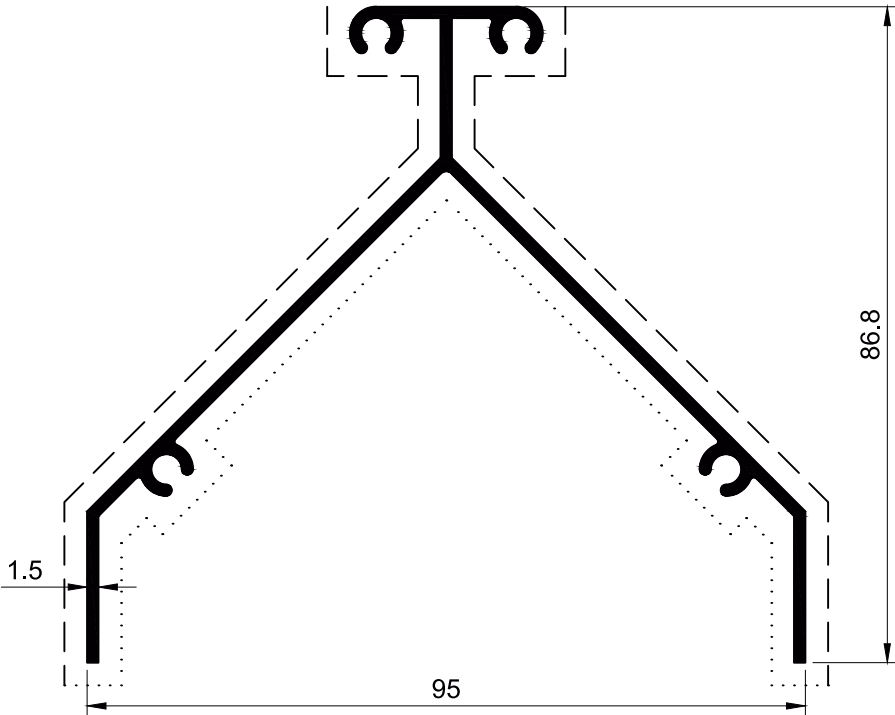
----- : Significant Surface
..... : Insignificant Surface

Louvers

Industrial Louvers



SECTION NO. - DG-105
EST. WEIGHT - 0.927 KG./M.

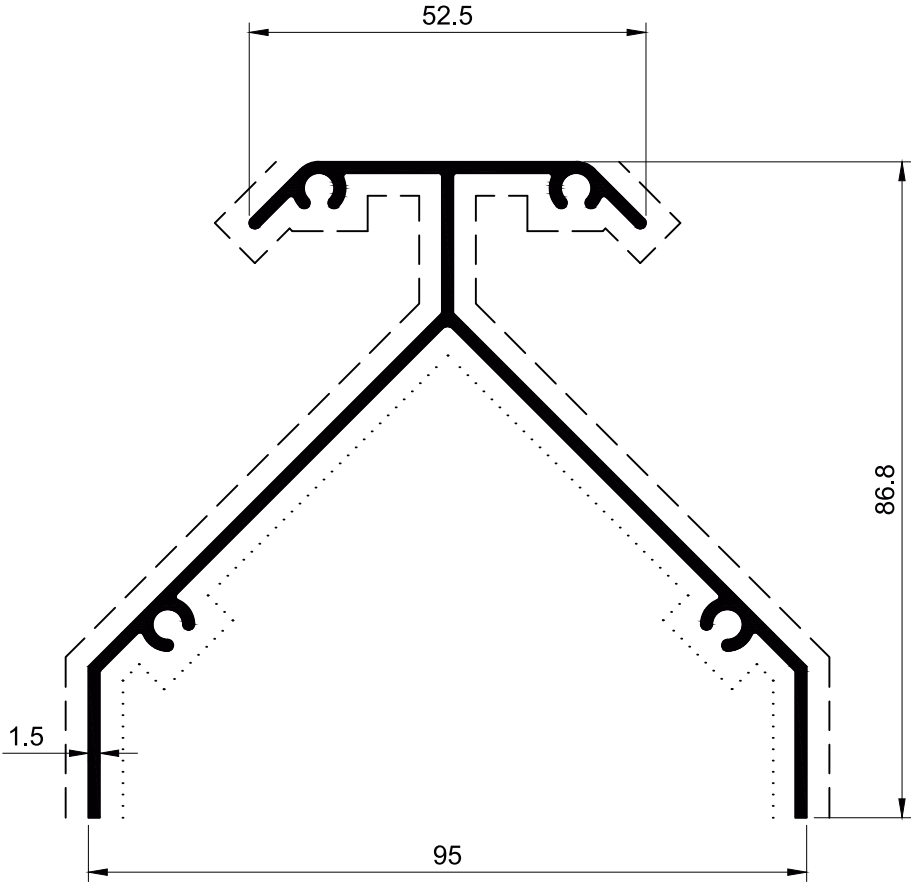


SECTION NO. - DG-08
EST. WEIGHT - 1.025 KG./M.

----- : Significant Surface
..... : Insignificant Surface

Louvers

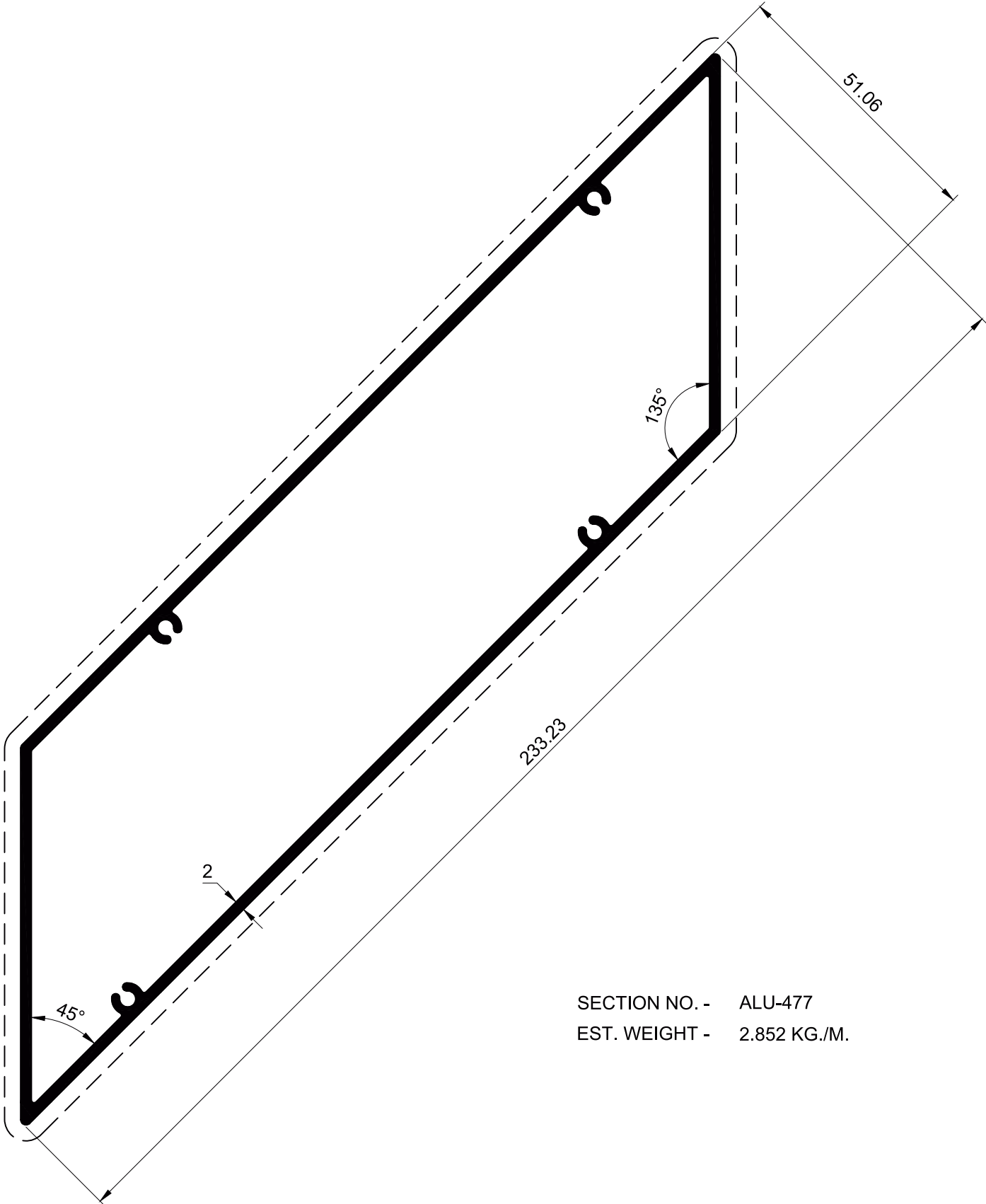
Industrial Louvers



SECTION NO. - DG-09
EST. WEIGHT - 1.152 KG./M.

----- : Significant Surface
..... : Insignificant Surface

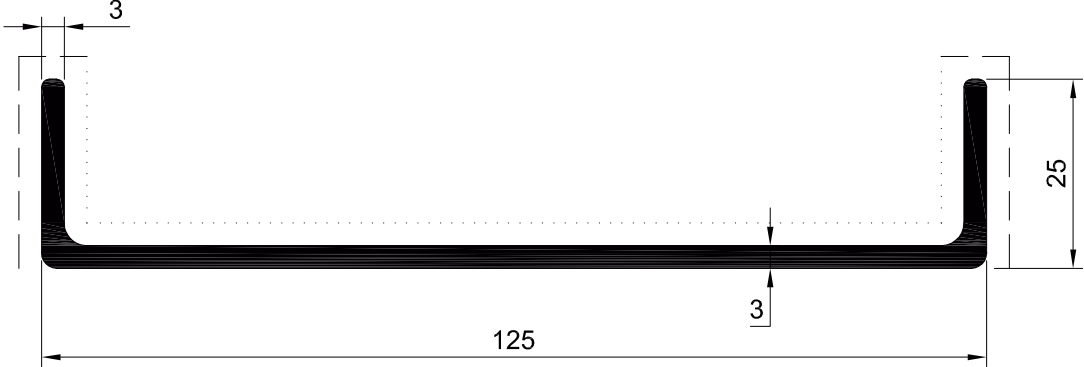
Louvers



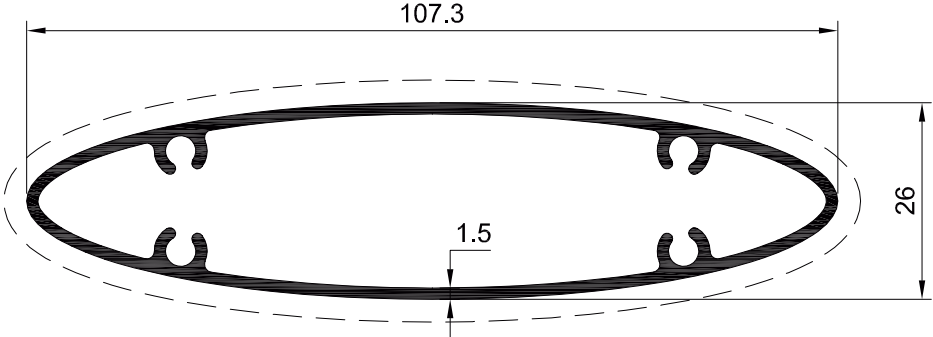
SECTION NO. - ALU-477
EST. WEIGHT - 2.852 KG./M.

----- : Significant Surface
..... : Insignificant Surface

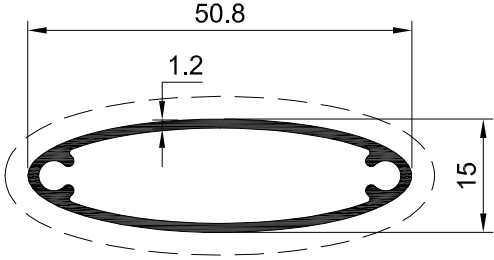
Sun Louver



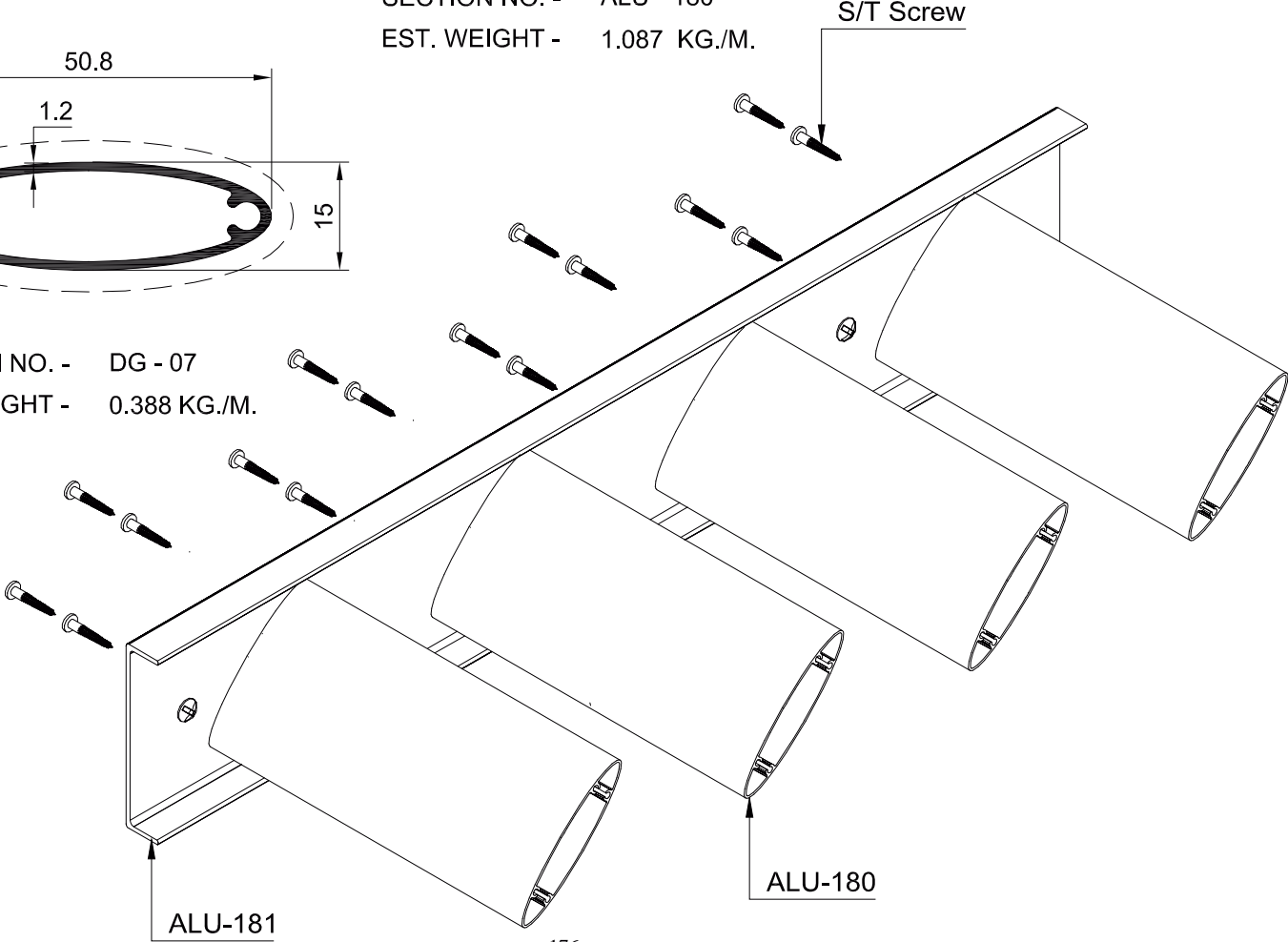
SECTION NO. - ALU - 181
EST. WEIGHT - 1.372 KG./M.



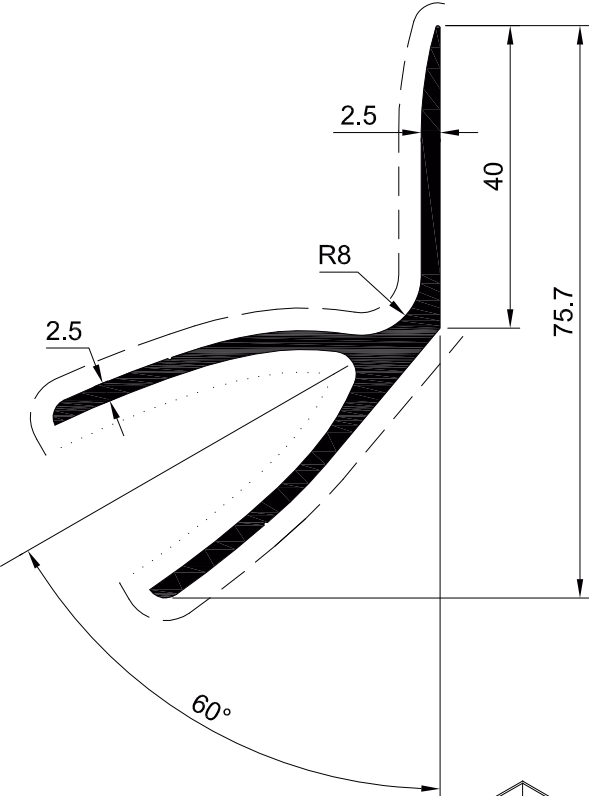
SECTION NO. - ALU - 180
EST. WEIGHT - 1.087 KG./M.



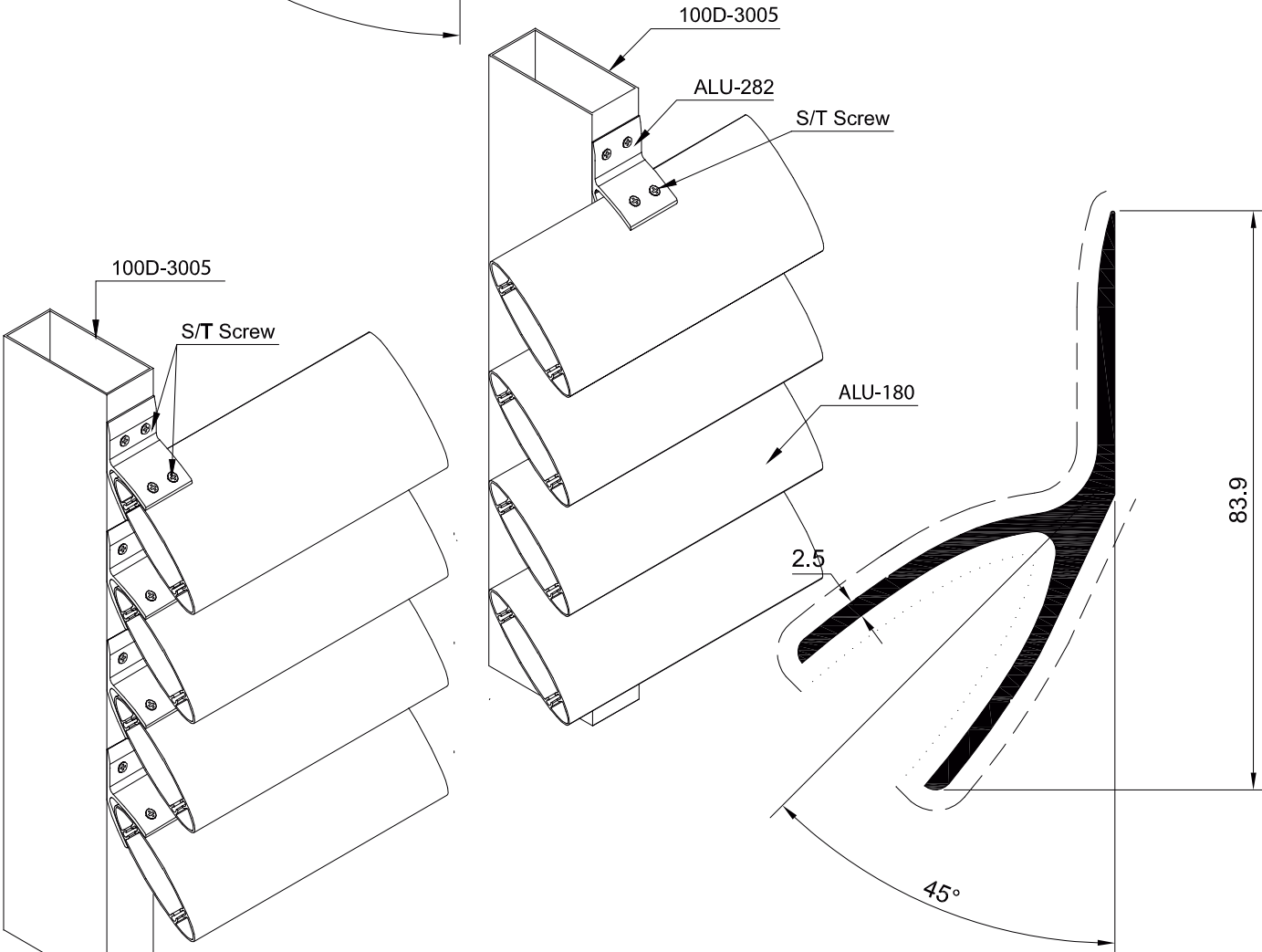
SECTION NO. - DG - 07
EST. WEIGHT - 0.388 KG./M.



Sun Louver

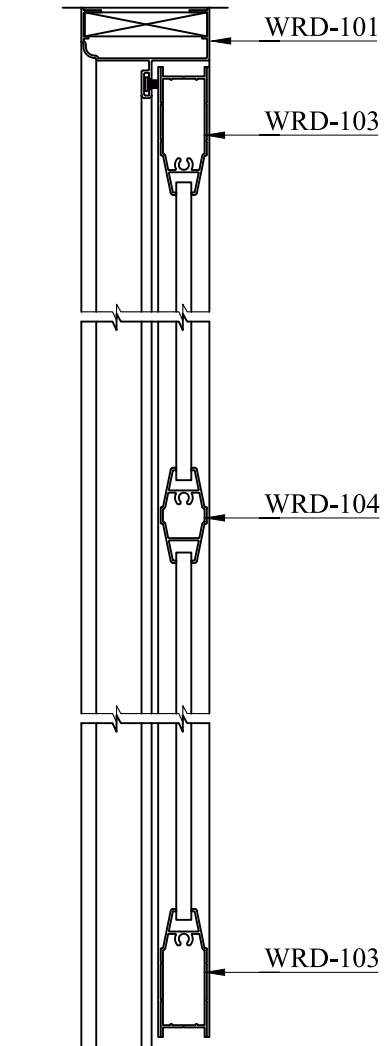


SECTION NO. - ALU - 282
EST. WEIGHT - 0.996 KG./M.

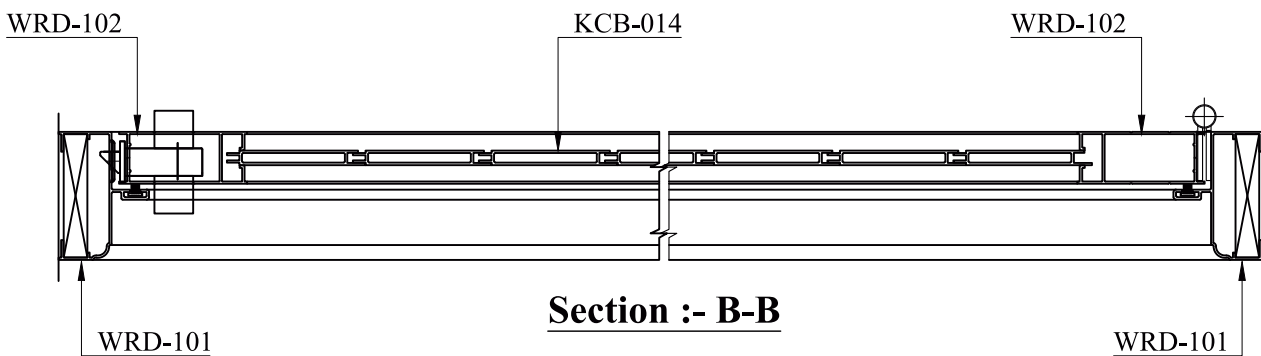
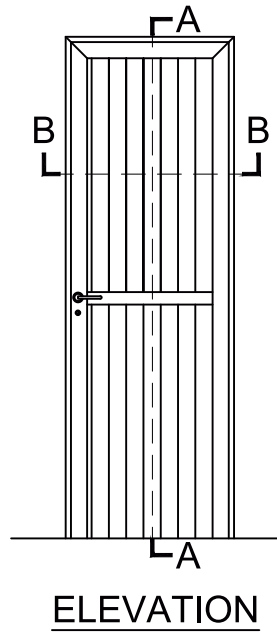


Sun Louver Fixing Details

SECTION NO. - ALU - 373
EST. WEIGHT - 0.996 KG./M.



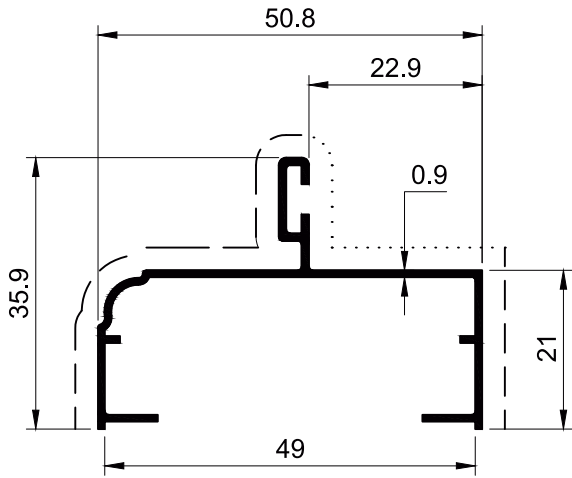
Section :- A-A



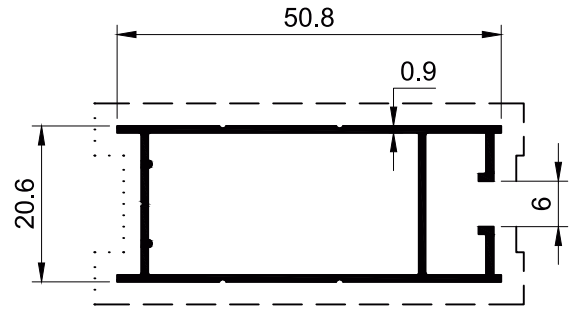
Section :- B-B

WRD 100 Series Door

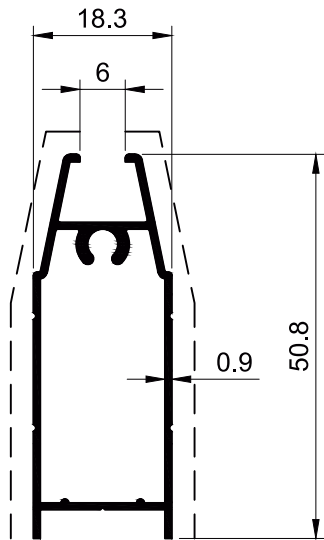
Group 15
Page 02



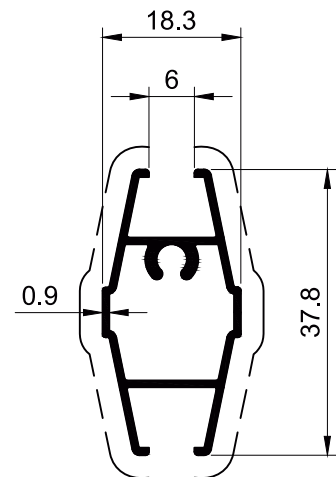
SECTION NO. - WRD-101
EST. WEIGHT - 0.328 KG./M.



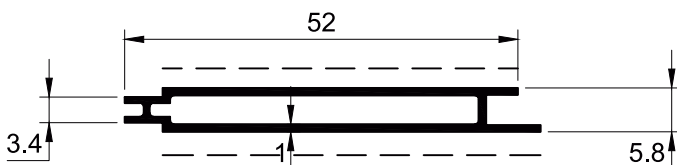
SECTION NO. - WRD-102
EST. WEIGHT - 0.378 KG./M.



SECTION NO. - WRD-103
EST. WEIGHT - 0.367 KG./M.

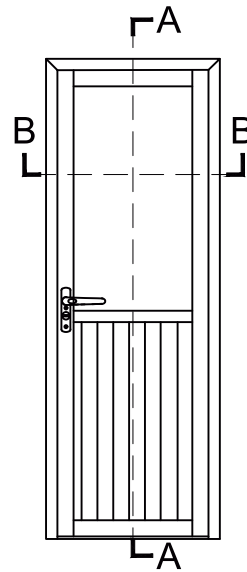
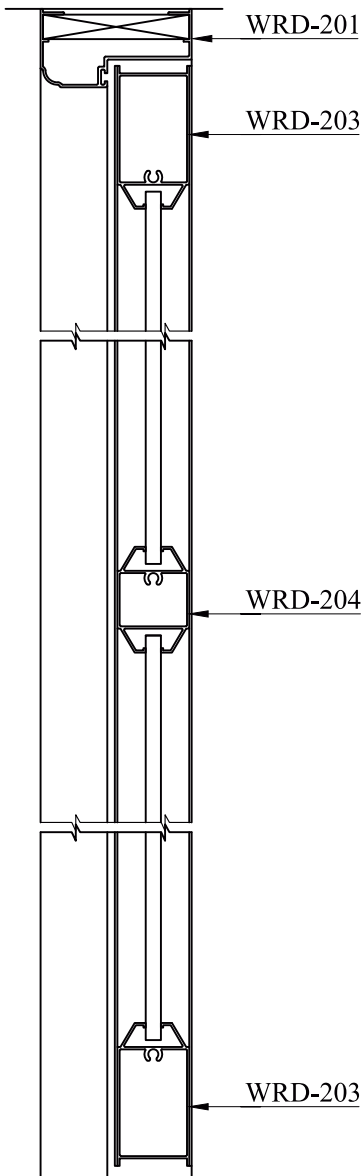


SECTION NO. - WRD-104
EST. WEIGHT - 0.304 KG./M.



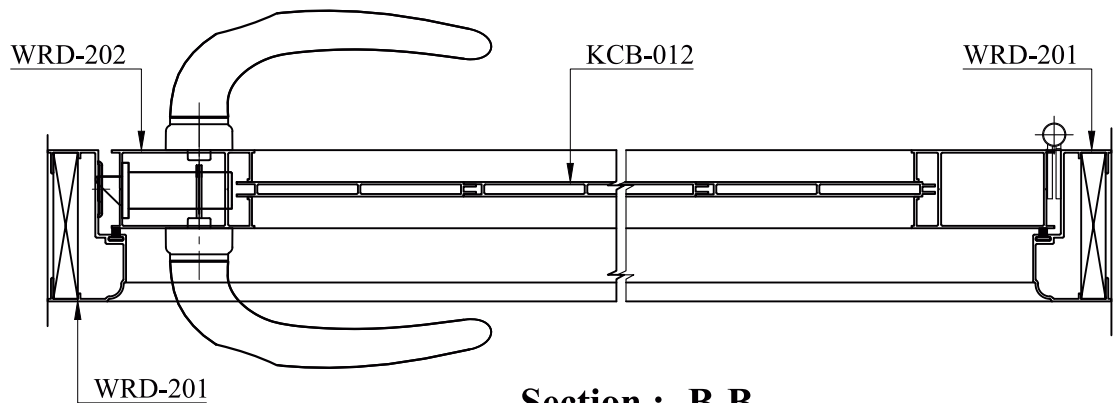
SECTION NO. - KCB-014
EST. WEIGHT - 0.301 KG./M.

----- : Significant Surface
..... : Insignificant Surface



ELEVATION

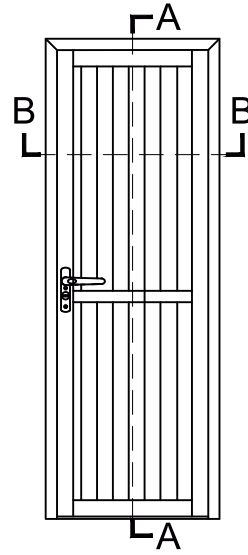
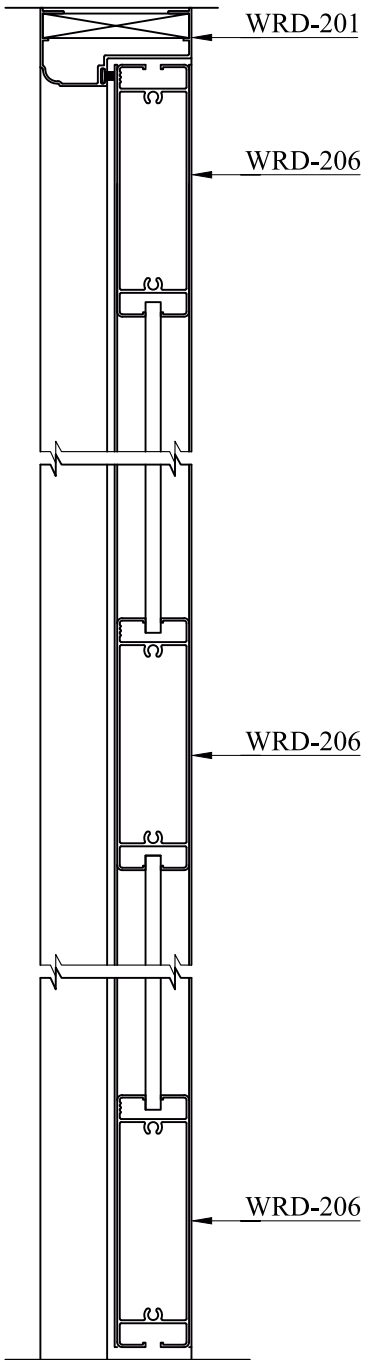
Section :- A-A



Section :- B-B

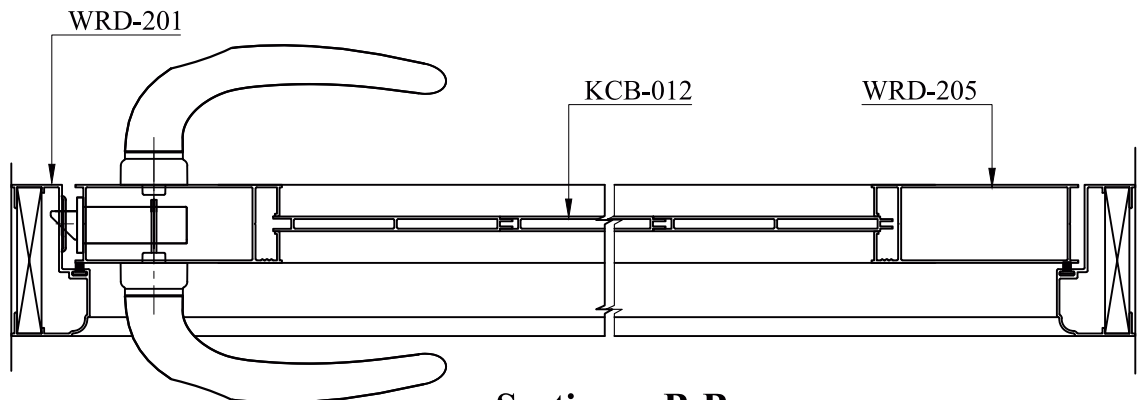
WRD 200 Series Door- Type 02

Group 15
Page 04



ELEVATION

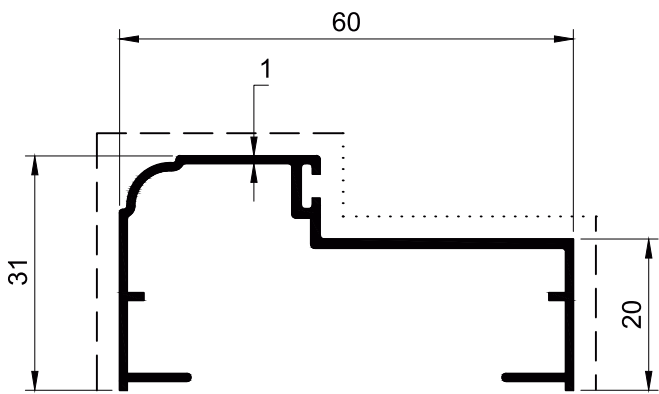
Section :- A-A



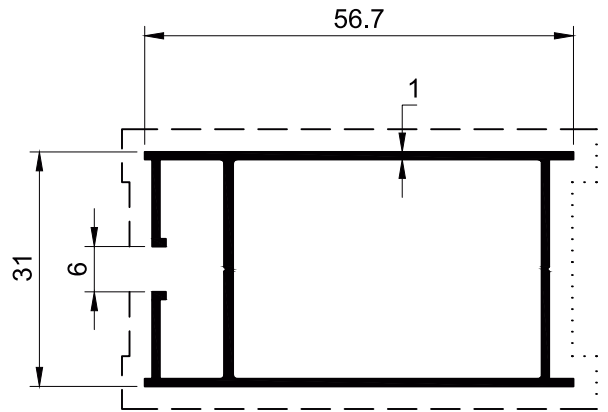
Section :- B-B

WRD 200 Series Door

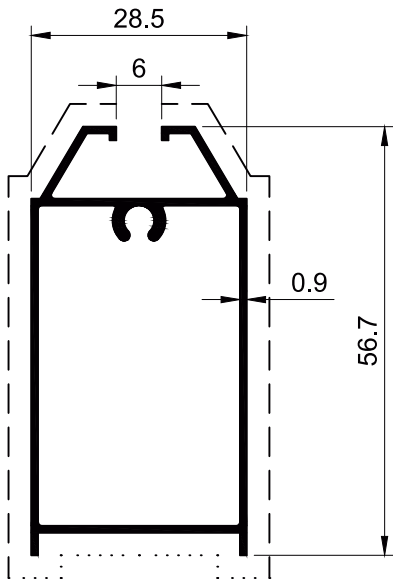
Group 15
Page 05



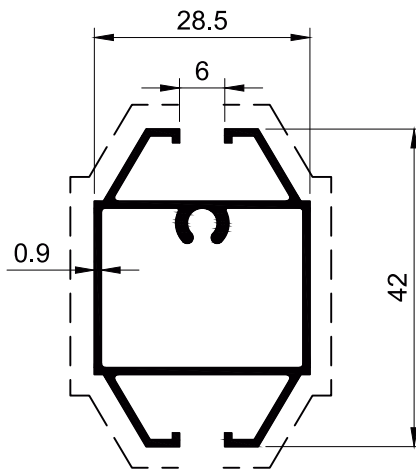
SECTION NO. - WRD-201
EST. WEIGHT - 0.413 KG./M.



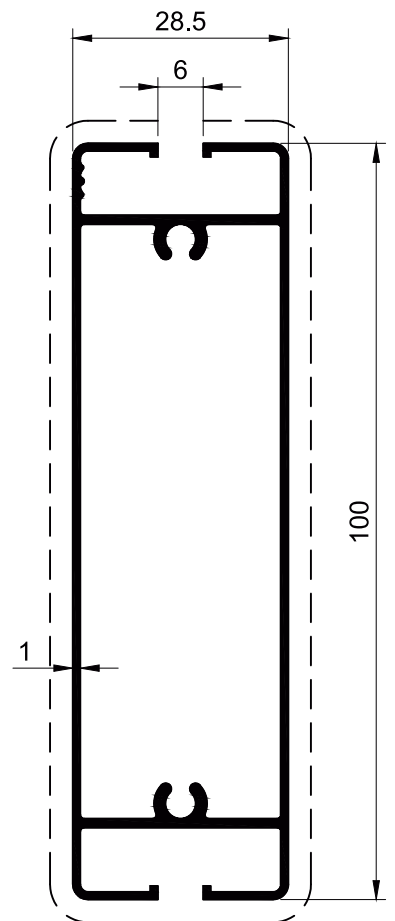
SECTION NO. - WRD-202
EST. WEIGHT - 0.545 KG./M.



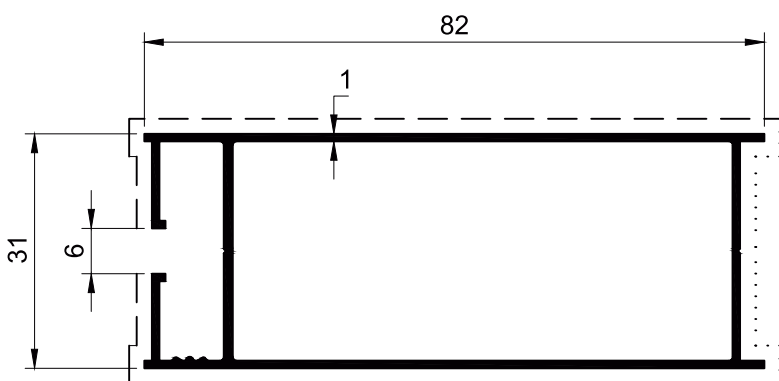
SECTION NO. - WRD-203
EST. WEIGHT - 0.477 KG./M.



SECTION NO. - WRD-204
EST. WEIGHT - 0.436 KG./M.



SECTION NO. - WRD-206
EST. WEIGHT - 0.911 KG./M.

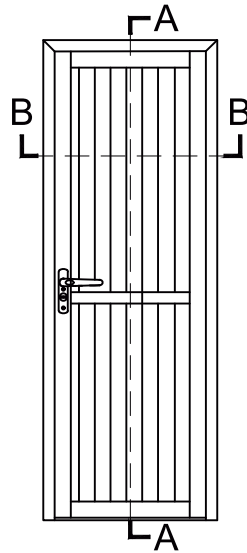
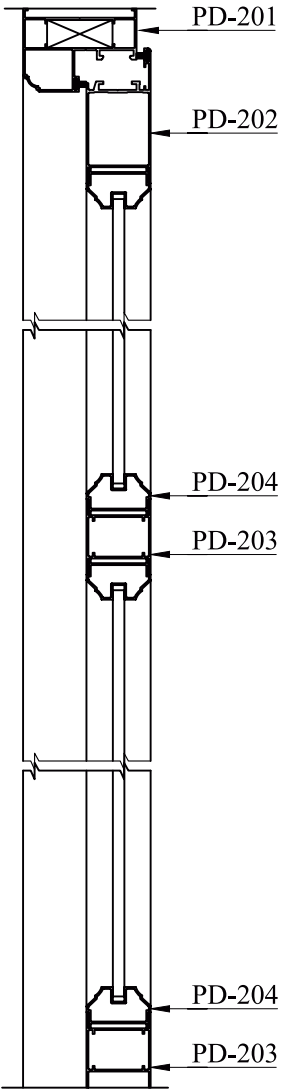


SECTION NO. - WRD-205
EST. WEIGHT - 0.682 KG./M.

----- : Significant Surface
..... : Insignificant Surface

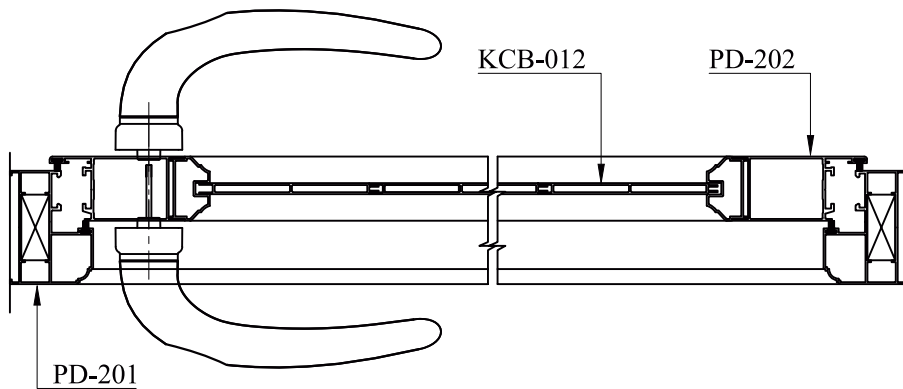
PD 200 Series Door

Group 15
Page 06



ELEVATION

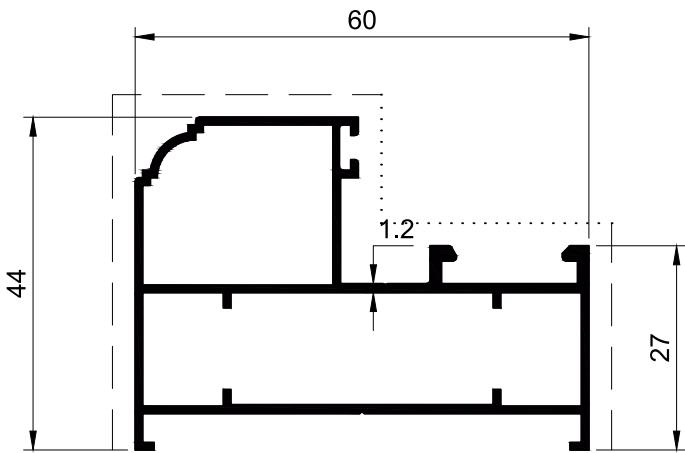
Section :- A-A



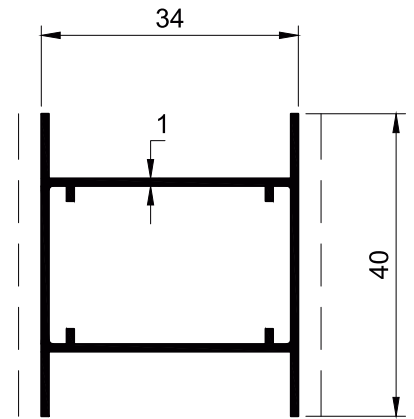
Section :- B-B

PD 200 Series Door

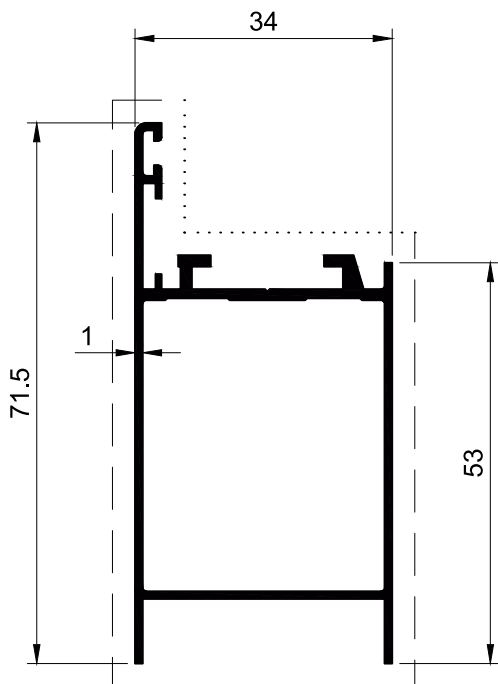
Group 15
Page 07



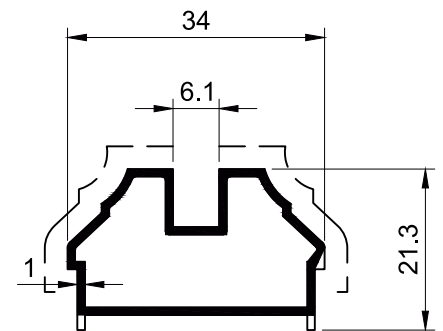
SECTION NO. - PD-201
EST. WEIGHT - 0.756 KG./M.



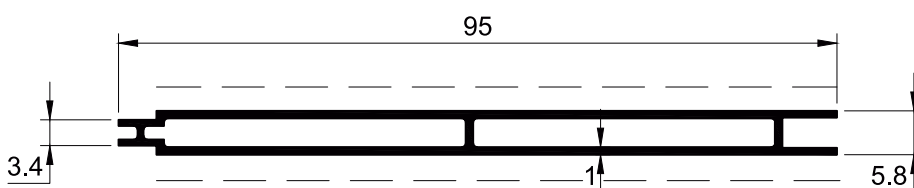
SECTION NO. - PD-203
EST. WEIGHT - 0.411 KG./M.



SECTION NO. - PD-202
EST. WEIGHT - 0.631 KG./M.



SECTION NO. - PD-204
EST. WEIGHT - 0.304 KG./M.

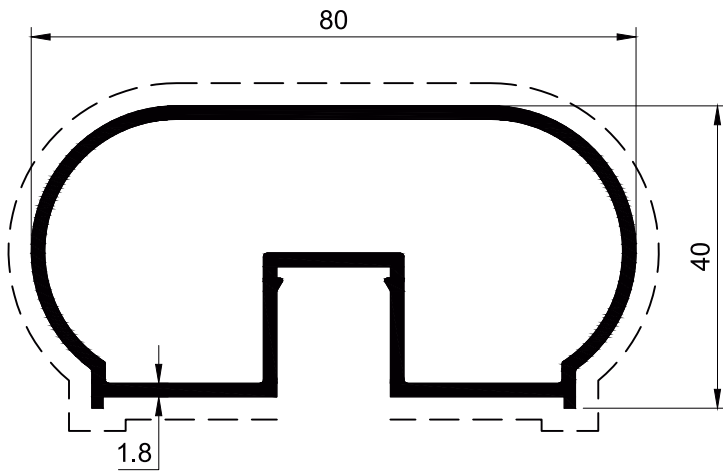


SECTION NO. - KCB-012
EST. WEIGHT - 0.535 KG./M.

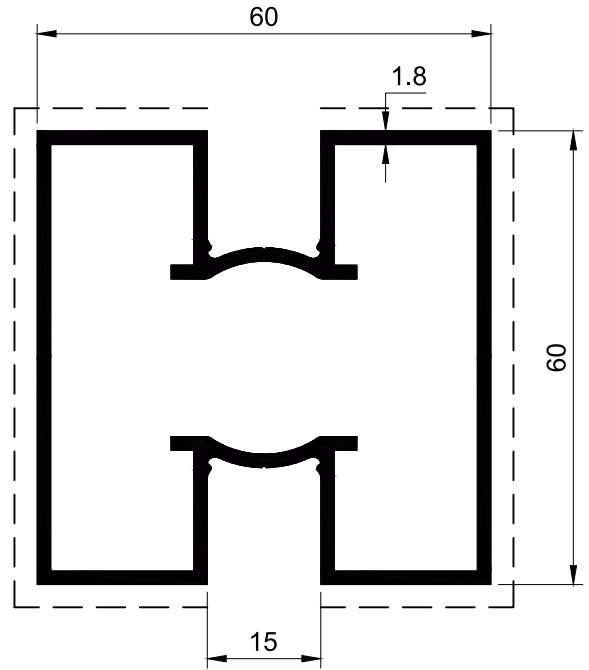
----- : Significant Surface
..... : Insignificant Surface

Hand Rail

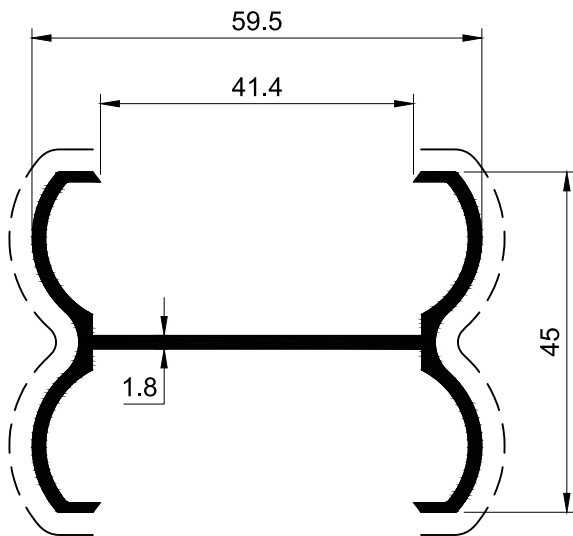
Group 16
Page 01



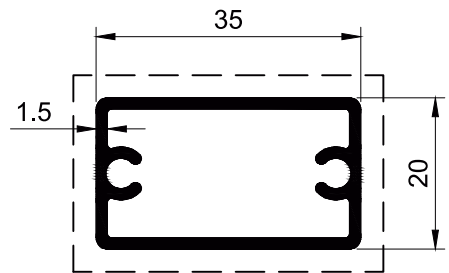
SECTION NO. - HDR-301
EST. WEIGHT - 1.172 KG./M.



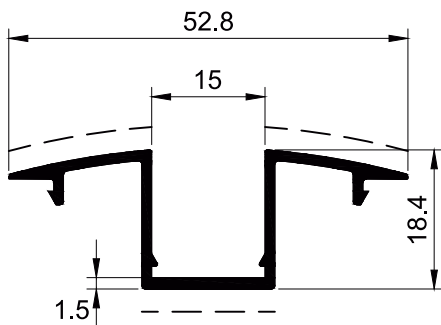
SECTION NO. - HDR-302
EST. WEIGHT - 1.555 KG./M.



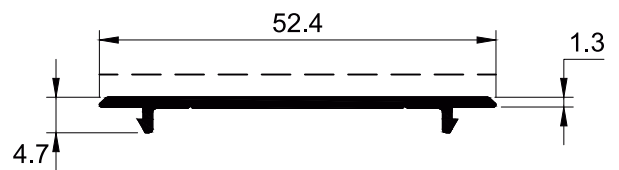
SECTION NO. - HDR-303
EST. WEIGHT - 0.769 KG./M.



SECTION NO. - HDR-304
EST. WEIGHT - 0.493 KG./M.



SECTION NO. - HDR-305
EST. WEIGHT - 0.352 KG./M.

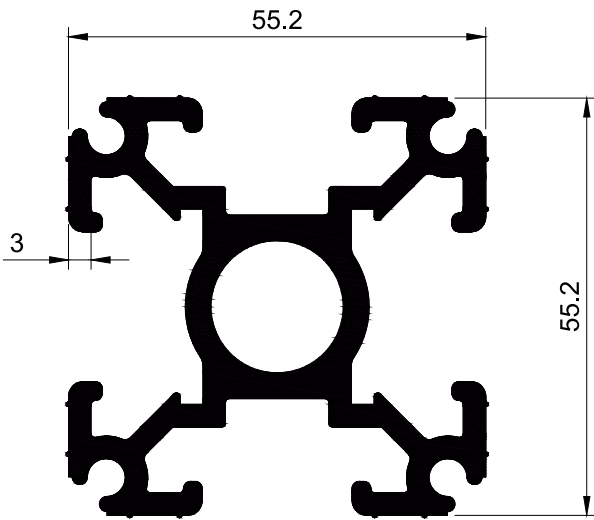


SECTION NO. - HDR-306
EST. WEIGHT - 0.228 KG./M.

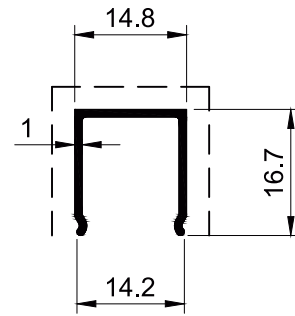
----- : Significant Surface
..... : Insignificant Surface

Hand Rail

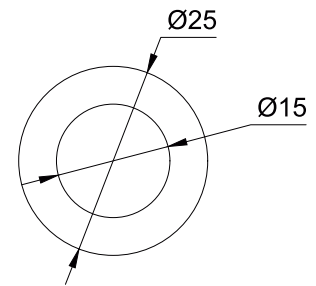
Group 16
Page 02



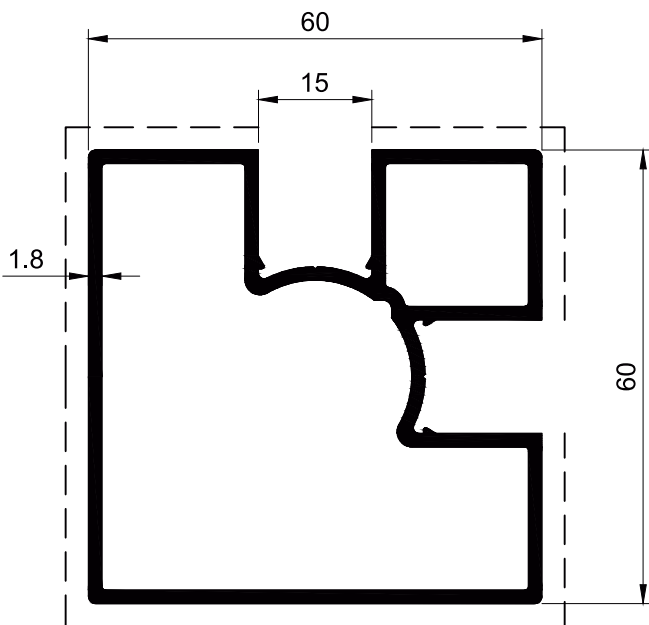
SECTION NO. - HDR-308
EST. WEIGHT - 2.440 KG./M.



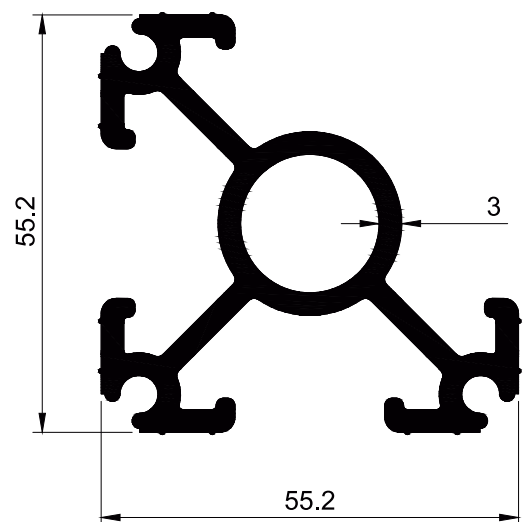
SECTION NO. - HDR-307
EST. WEIGHT - 0.125 KG./M.



SECTION NO. - ACEB-27
EST. WEIGHT - 0.848 KG./M.



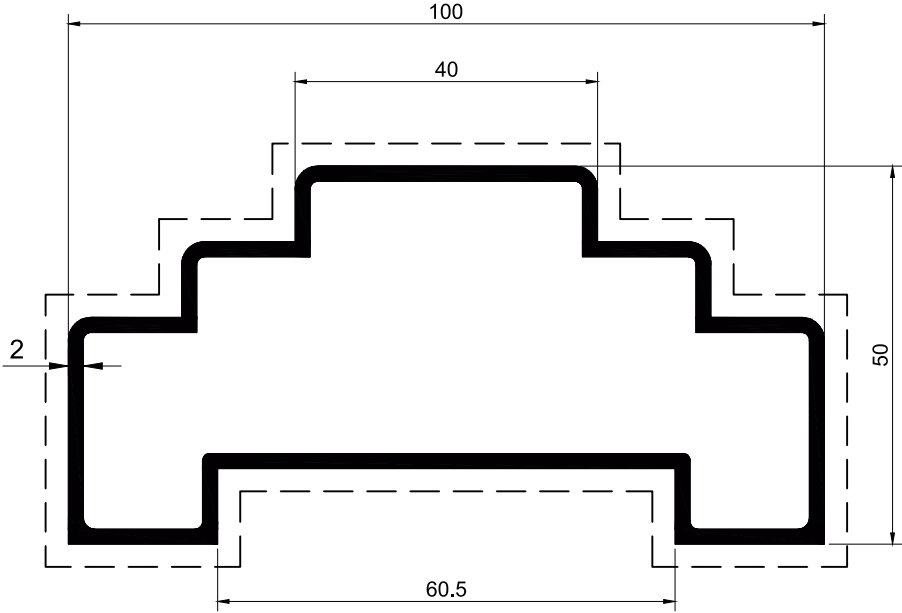
SECTION NO. - HDR-309
EST. WEIGHT - 1.501 KG./M.



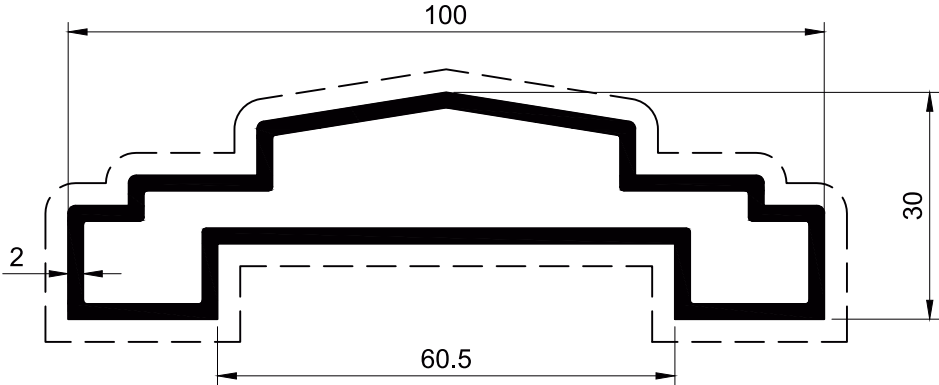
SECTION NO. - HDR-310
EST. WEIGHT - 1.829 KG./M.

----- : Significant Surface
..... : Insignificant Surface

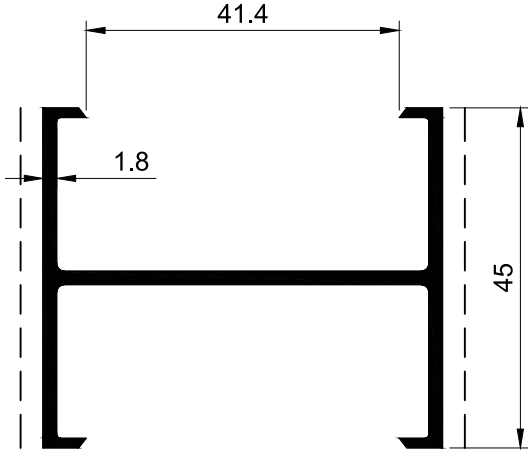
Hand Rail



SECTION NO. - HDR-311
EST. WEIGHT - 1.660 KG./M.



SECTION NO. - HDR-312
EST. WEIGHT - 1.428 KG./M.

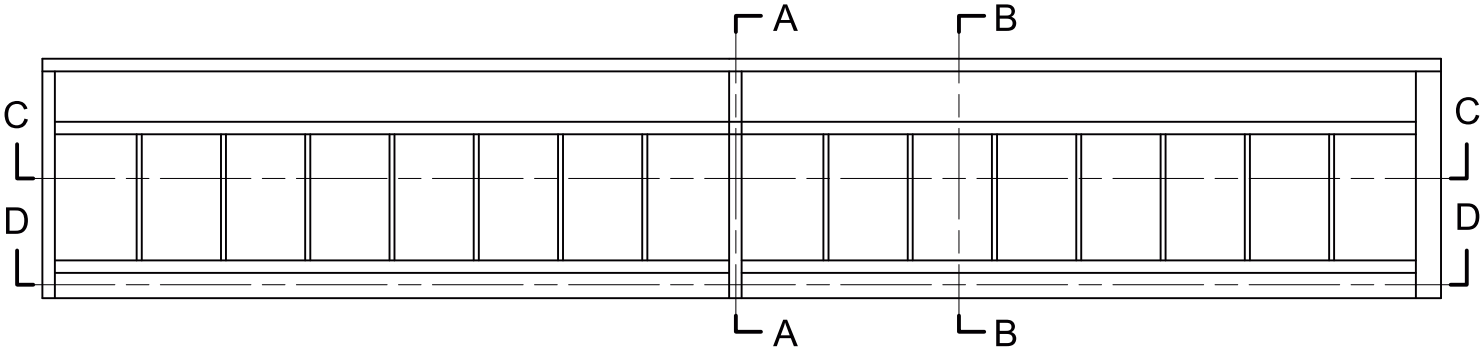


SECTION NO. - HDR-313
EST. WEIGHT - 0.727 KG./M.

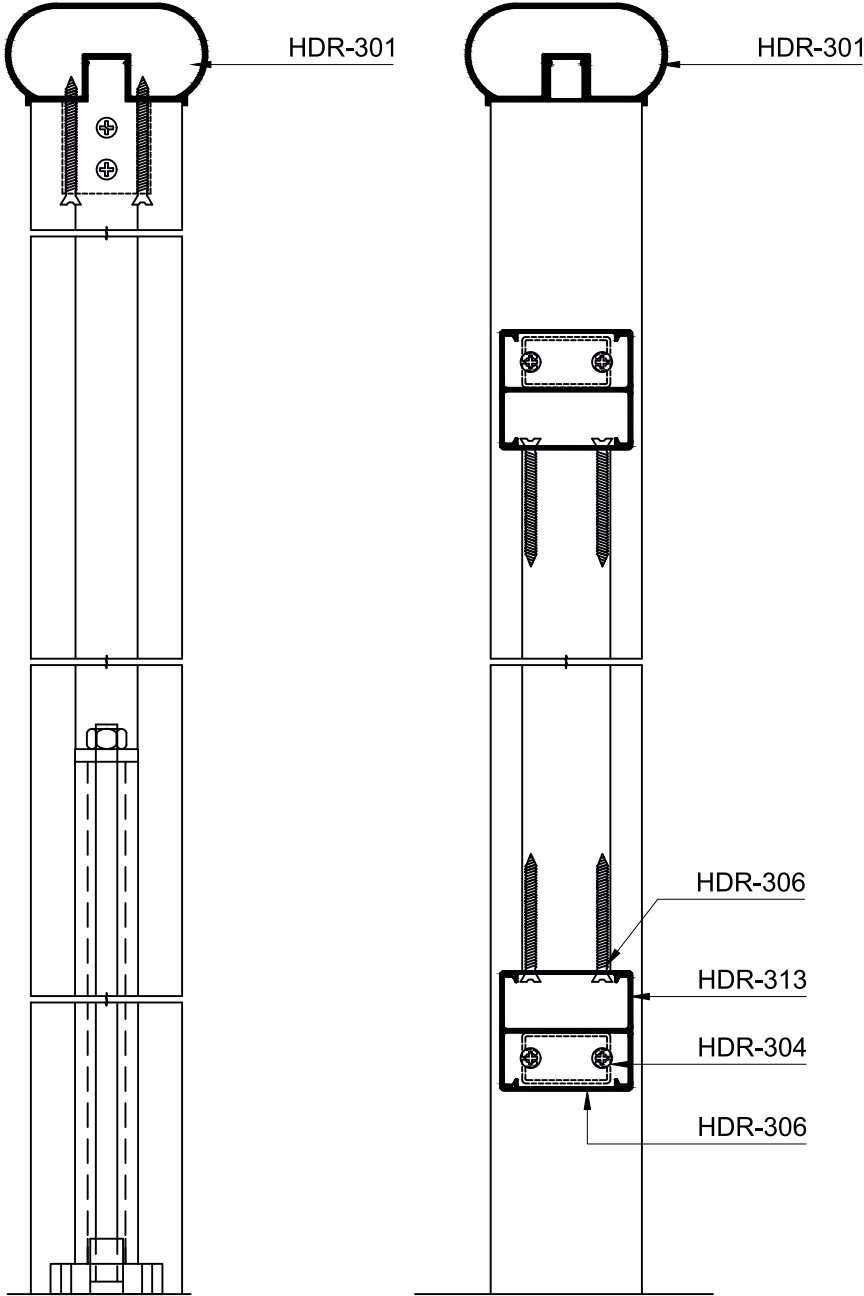
----- : Significant Surface
..... : Insignificant Surface

Hand Rail

Group 16
Page 04



Elevation of Hand Rail

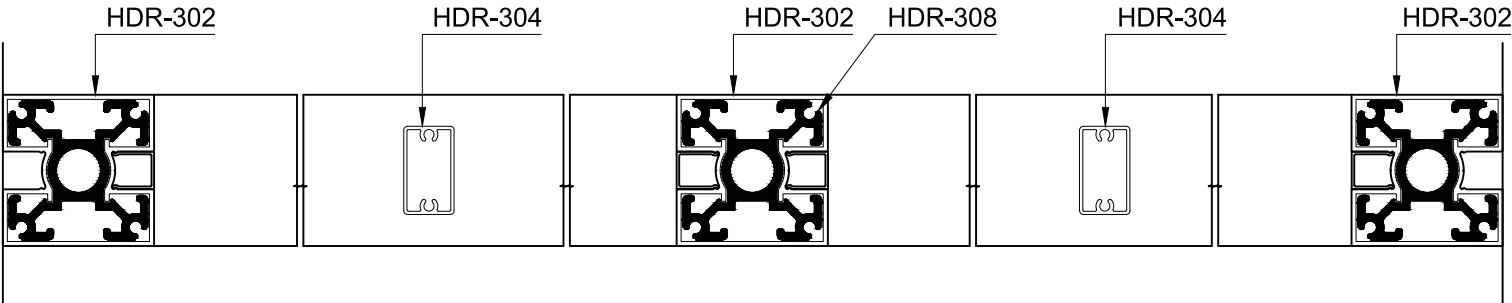


Section :- A-A

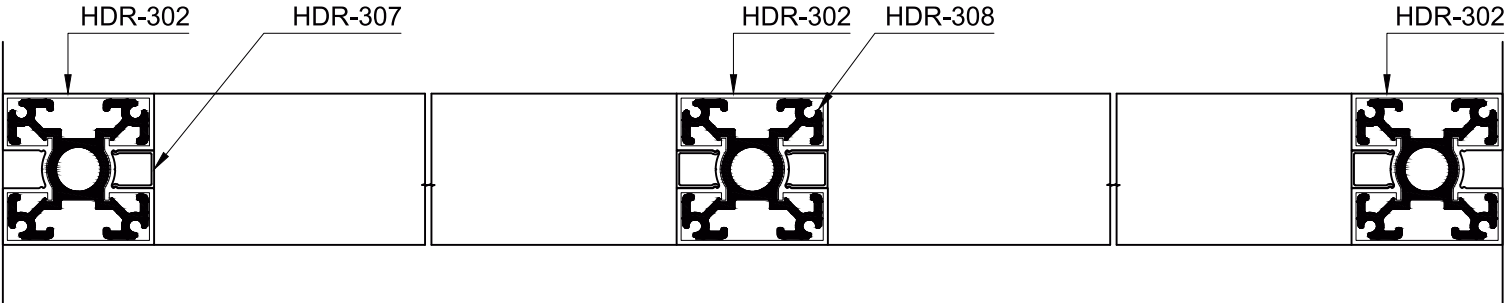
Section :- B-B

Hand Rail

Group 16
Page 05



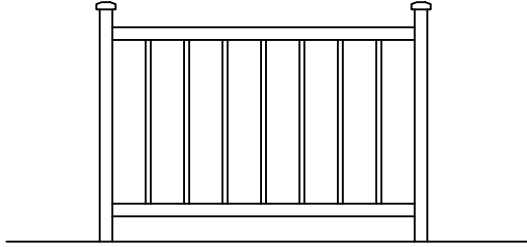
Section :- C-C



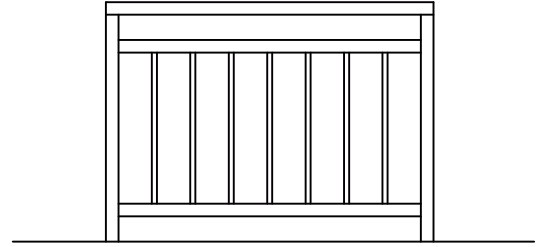
Section :- D-D

Configuration Of Hand Rail

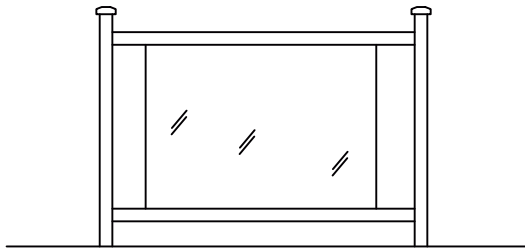
Group 16
Page 06



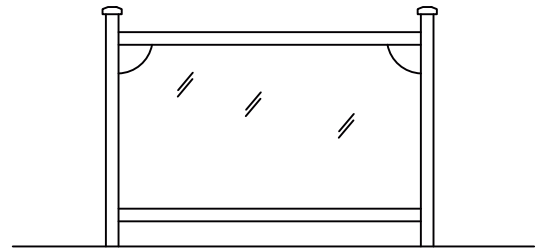
Baluster Railing



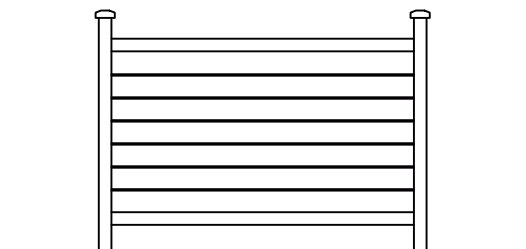
Baluster Railing



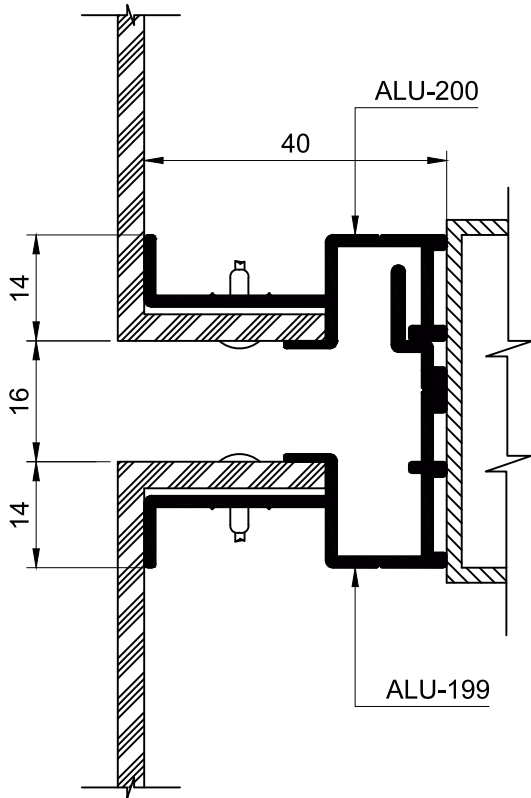
Glass Railing



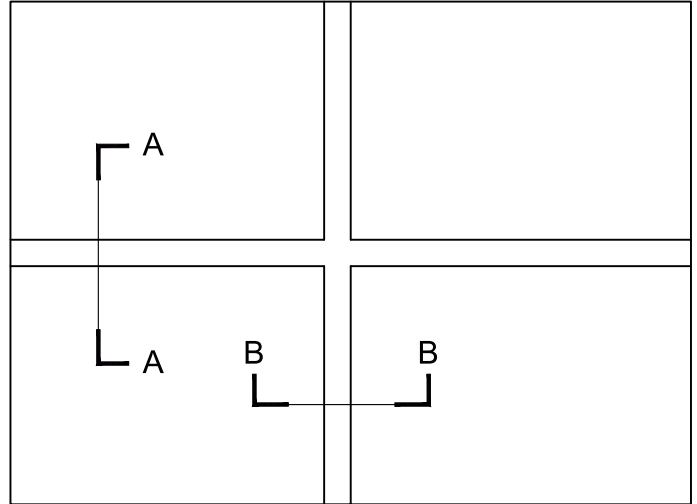
Glass Railing



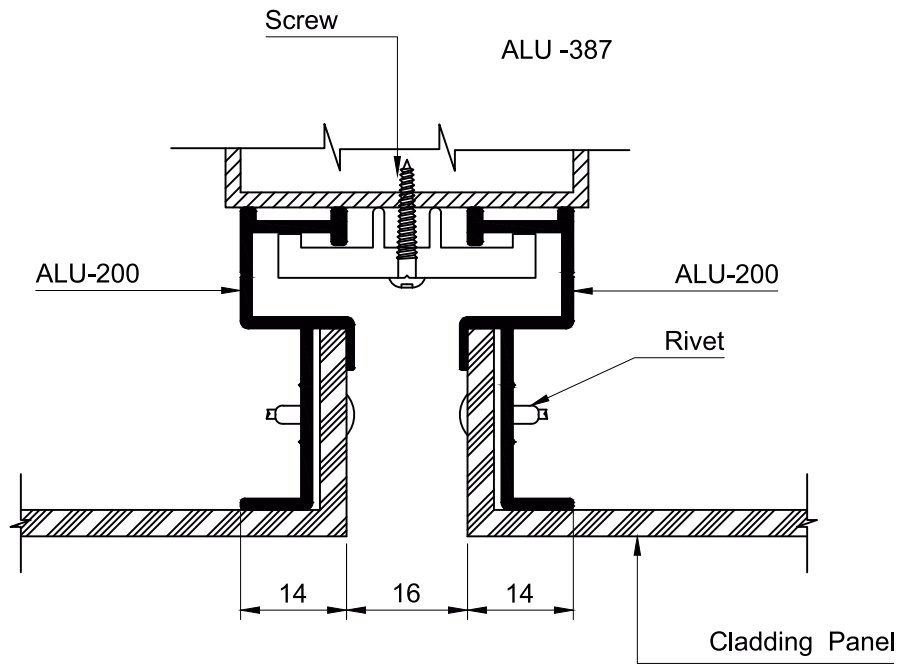
Aluminium Panel Railing



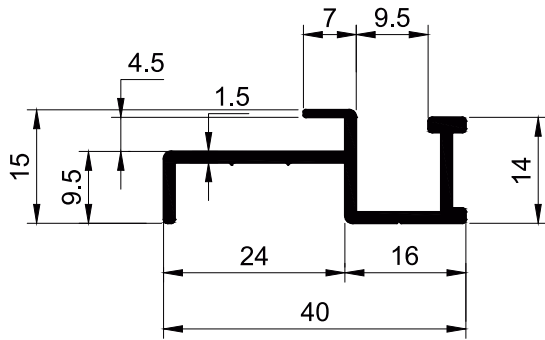
SECTION :- A - A



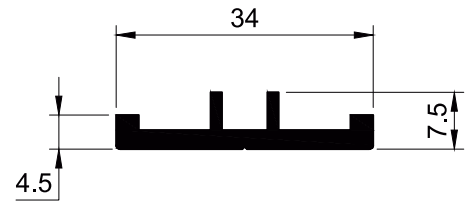
ELEVATION



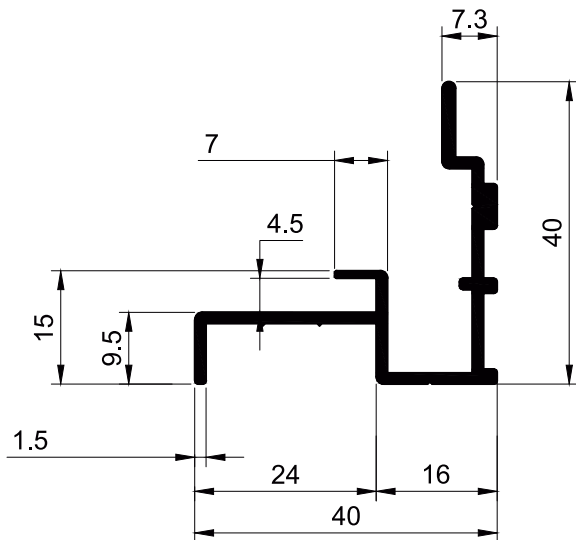
SECTION :- B - B



SECTION NO. - ALU-200
EST. WEIGHT - 0.333 KG./M.

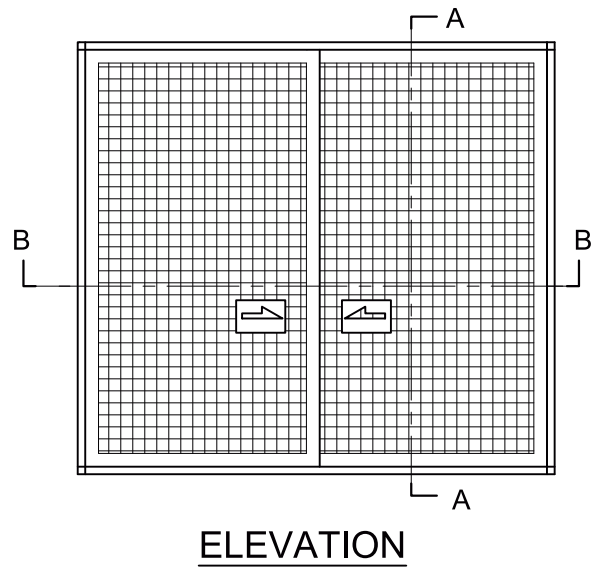
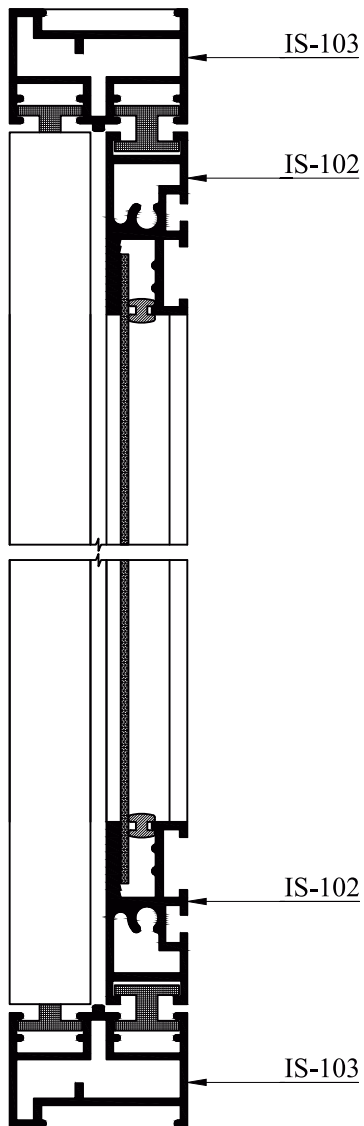


SECTION NO. - ALU-387
EST. WEIGHT - 0.302 KG./M.

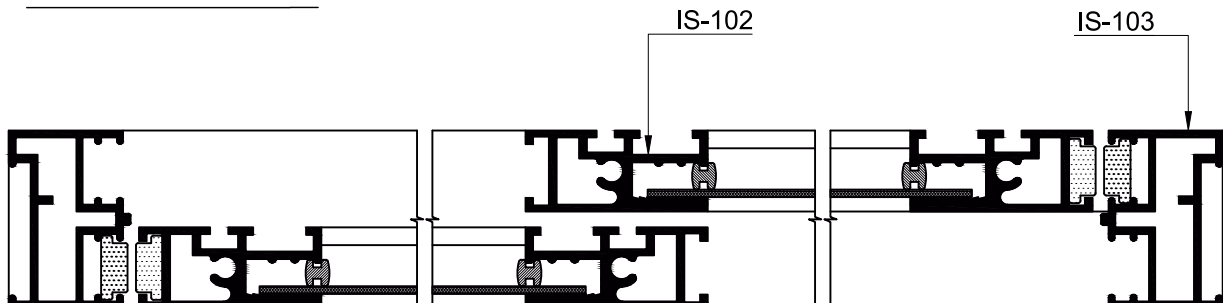


SECTION NO. - ALU-199
EST. WEIGHT - 0.487 KG./M.

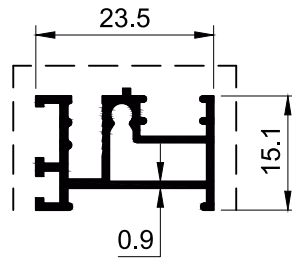
----- : Significant Surface
..... : Insignificant Surface



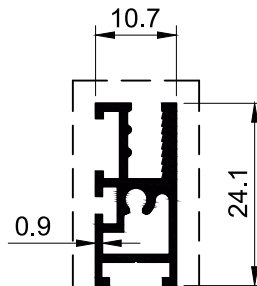
SECTION :- A-A



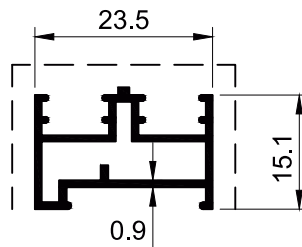
SECTION :- B-B



SECTION NO. - IS-101
EST. WEIGHT - 0.247 KG./M.

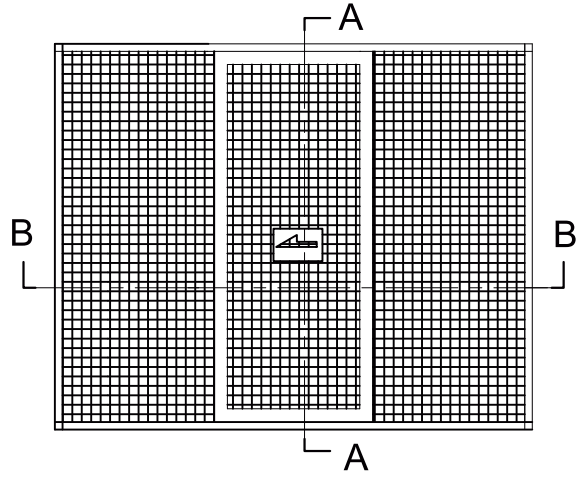
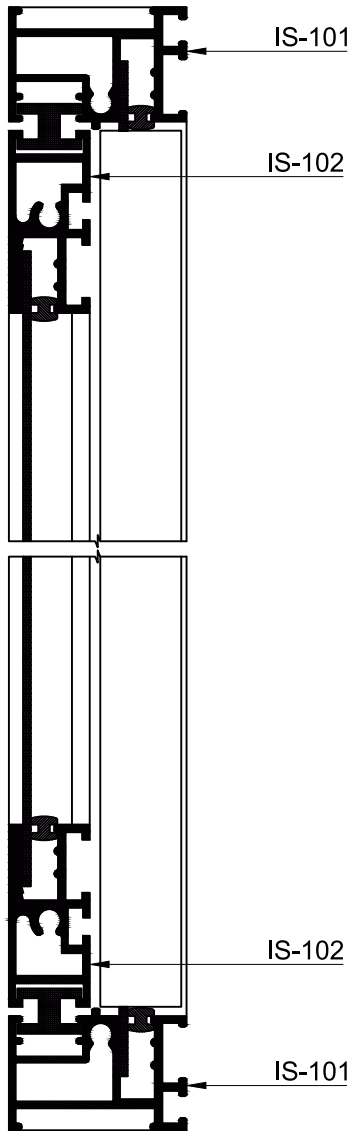


SECTION NO. - IS-102
EST. WEIGHT - 0.249 KG./M.



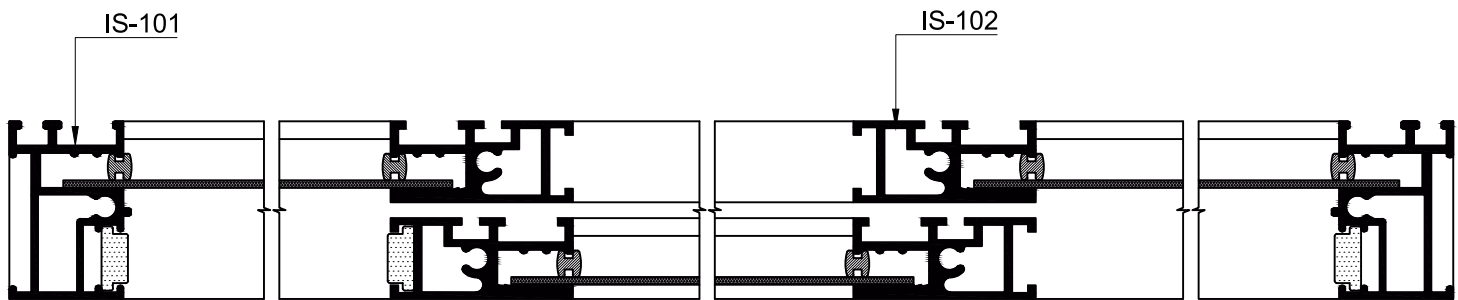
SECTION NO. - IS-103
EST. WEIGHT - 0.234 KG./M.

----- : Significant Surface
..... : Insignificant Surface

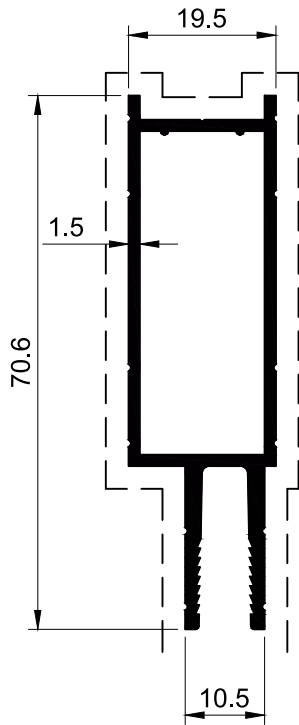


ELEVATION

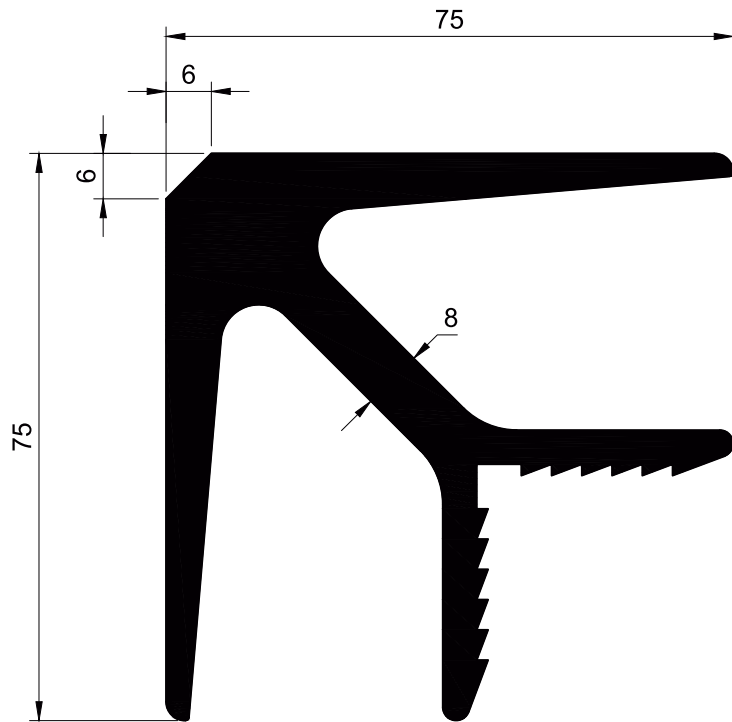
SECTION :- A-A



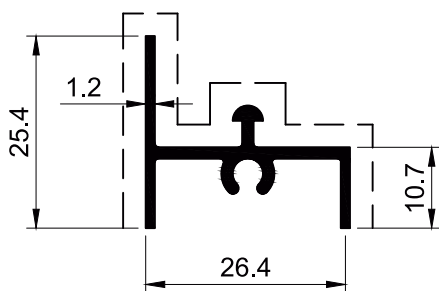
SECTION :- B-B



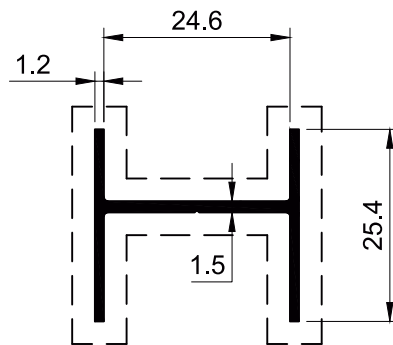
SECTION NO. - IS-201
EST. WEIGHT - 0.750 KG./M.



SECTION NO. - IS-202
EST. WEIGHT - 4.196 KG./M.

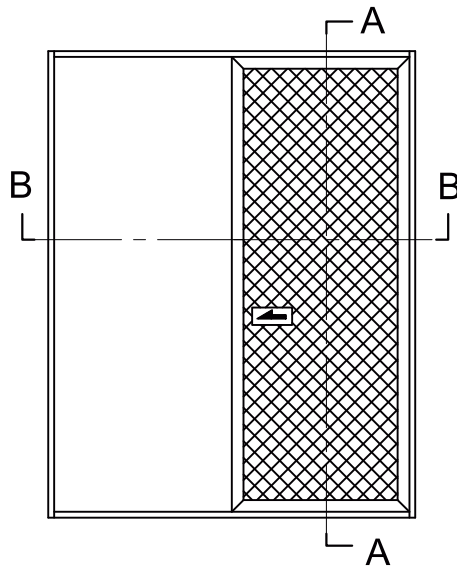
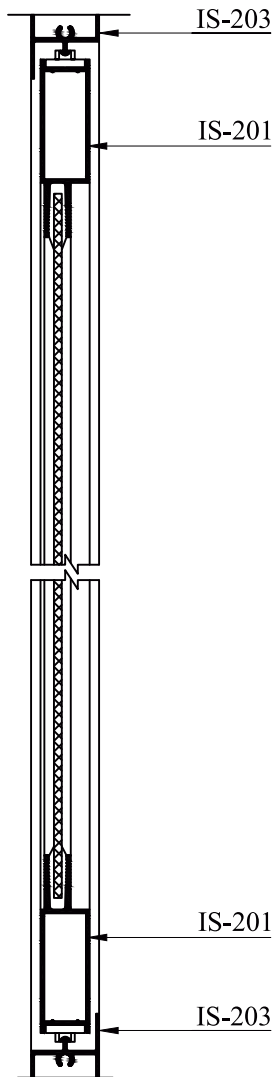


SECTION NO. - IS-203
EST. WEIGHT - 0.290 KG./M.



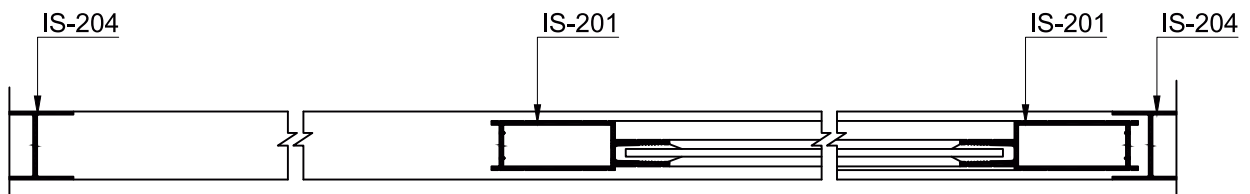
SECTION NO. - IS-204
EST. WEIGHT - 0.265 KG./M.

----- : Significant Surface
..... : Insignificant Surface

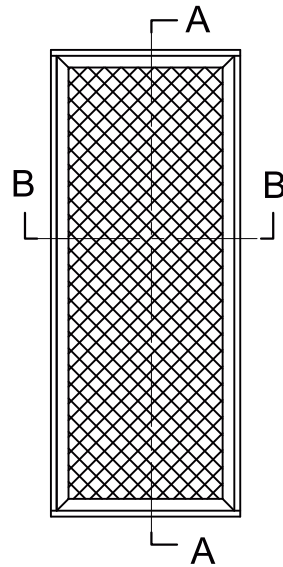
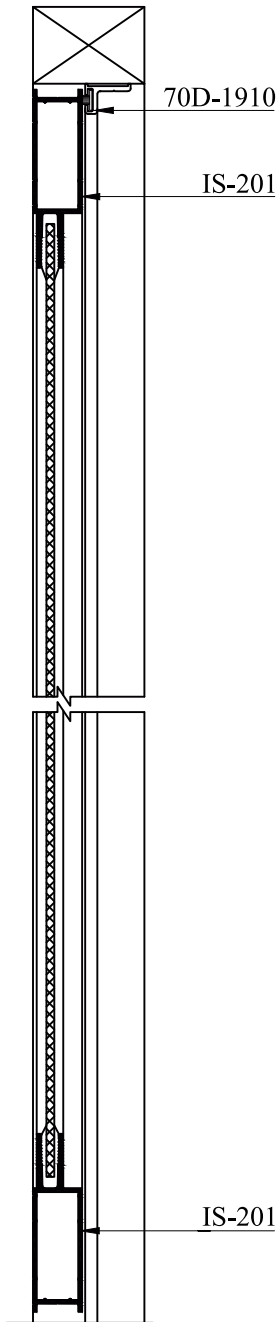


ELEVATION

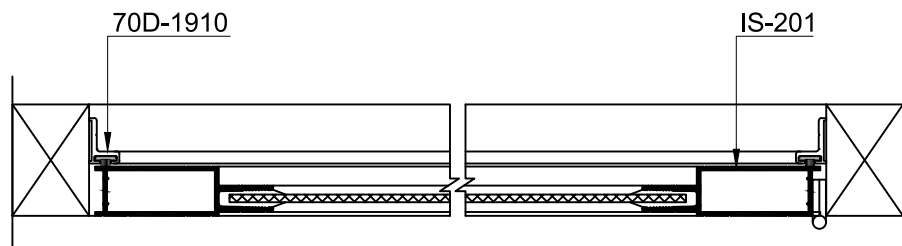
SECTION :- A-A



SECTION :- B-B

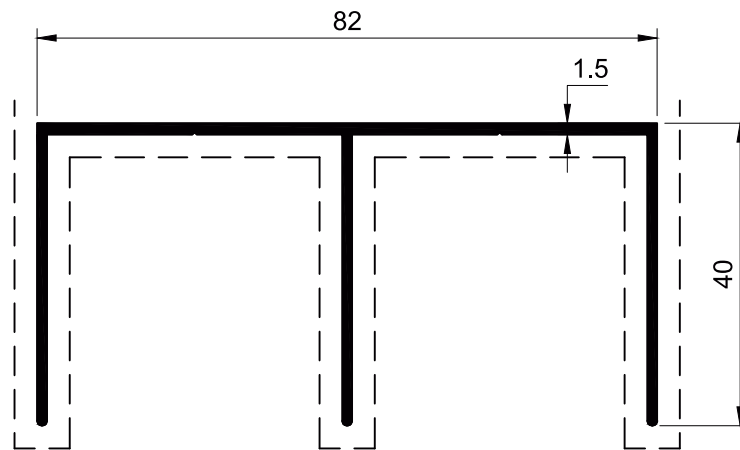


ELEVATION

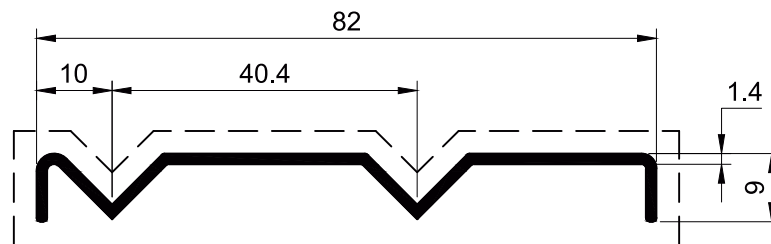


SECTION :- A-A

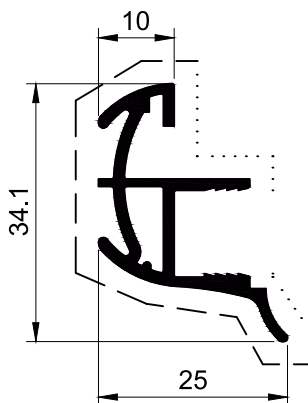
SECTION :- B-B



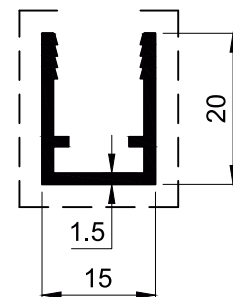
SECTION NO. - ALU-S28
EST. WEIGHT - 0.736 KG./M.



SECTION NO. - ALU-S29
EST. WEIGHT - 0.406 KG./M.

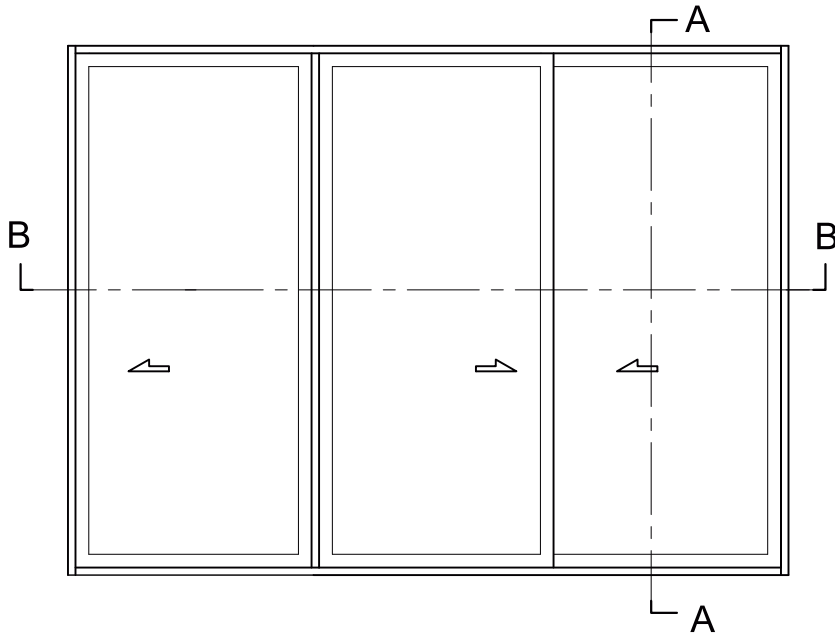
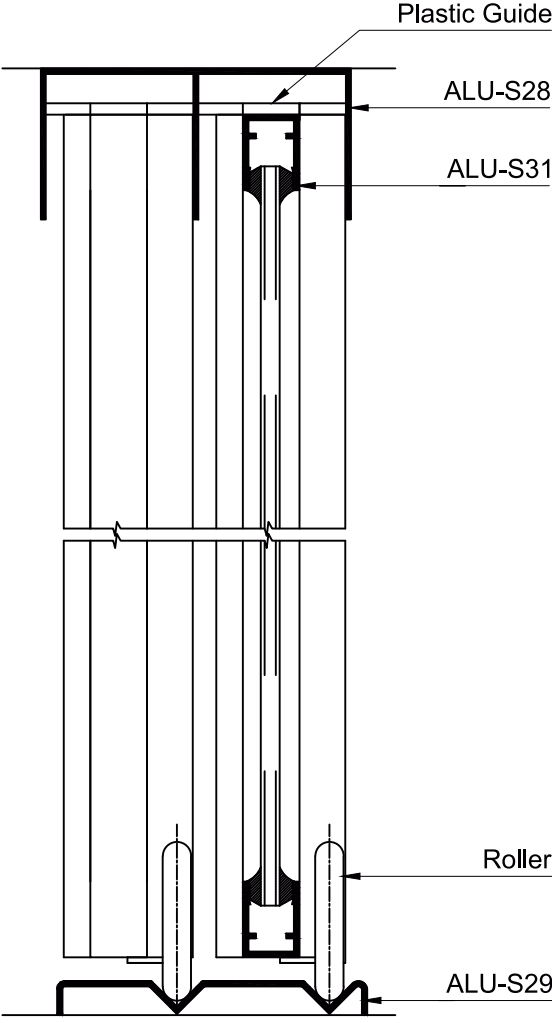


SECTION NO. - ALU-S30
EST. WEIGHT - 0.380 KG./M.



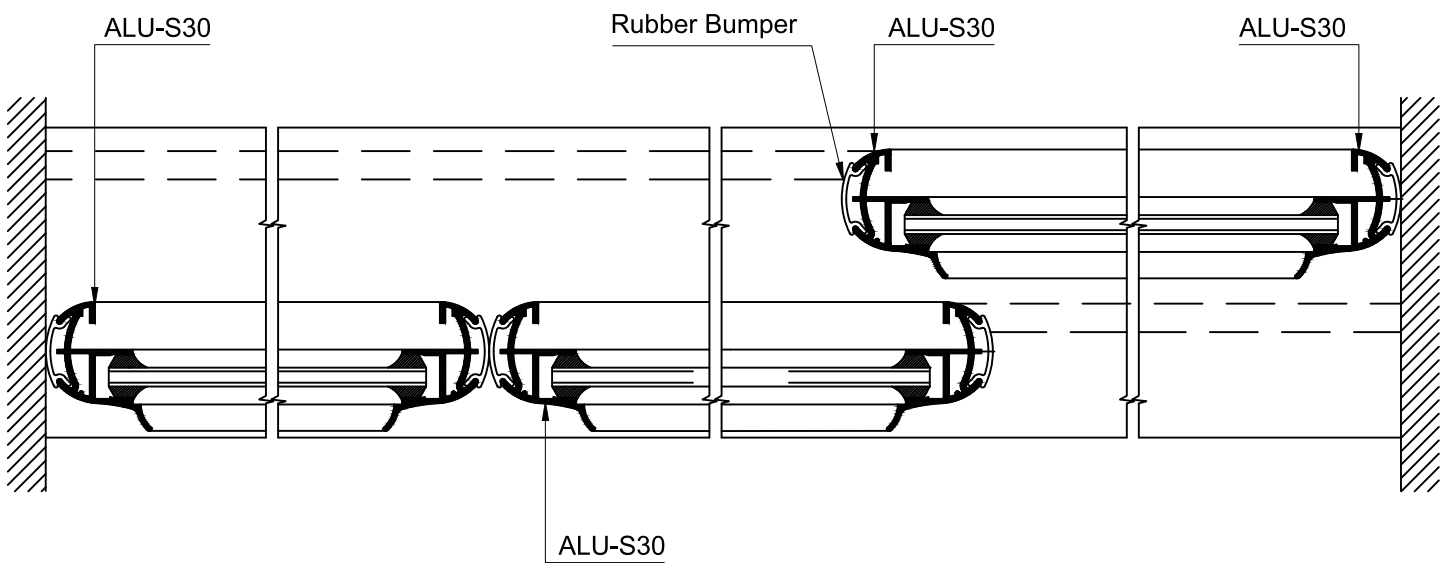
SECTION NO. - ALU-S31
EST. WEIGHT - 0.234 KG./M.

----- : Significant Surface
..... : Insignificant Surface

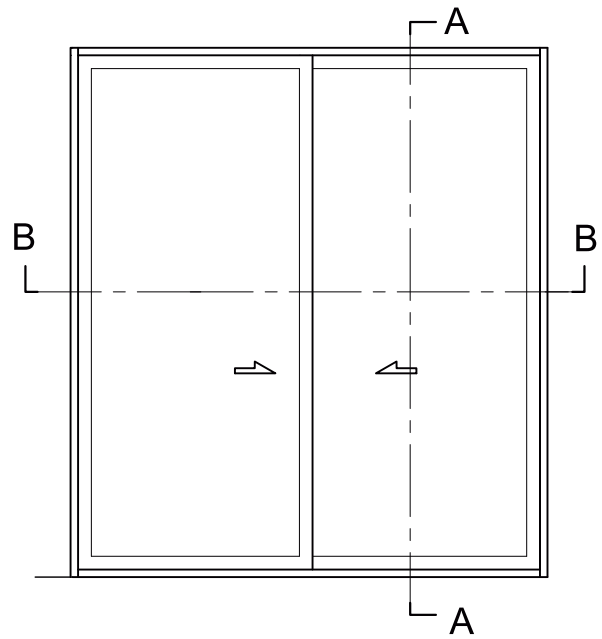
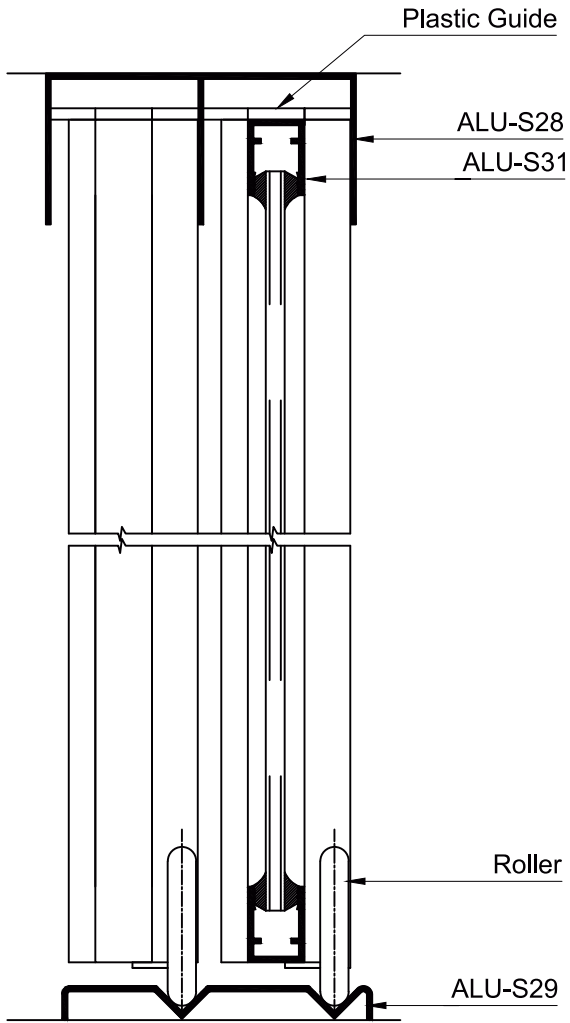


ELEVATION

SECTION :- A-A

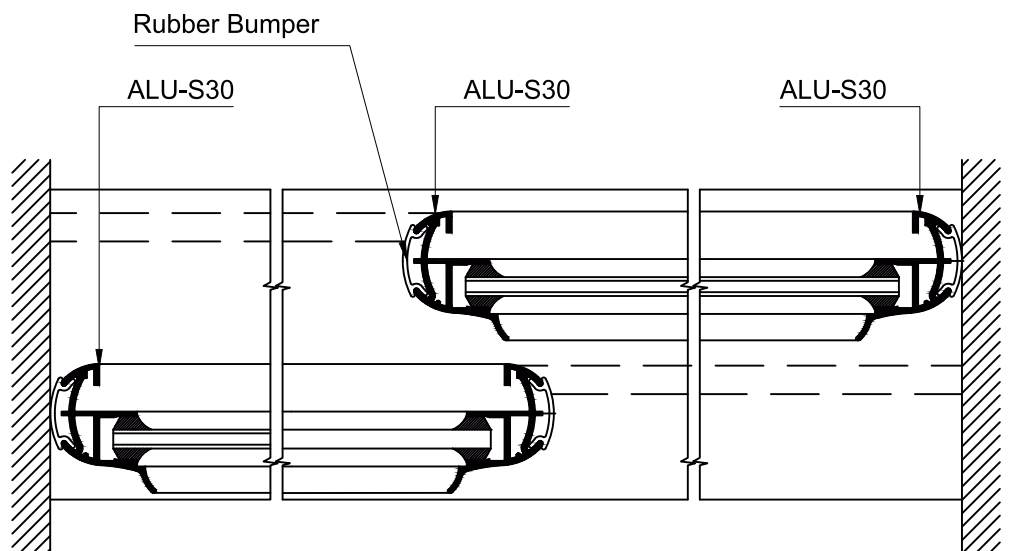


SECTION :- B-B



ELEVATION

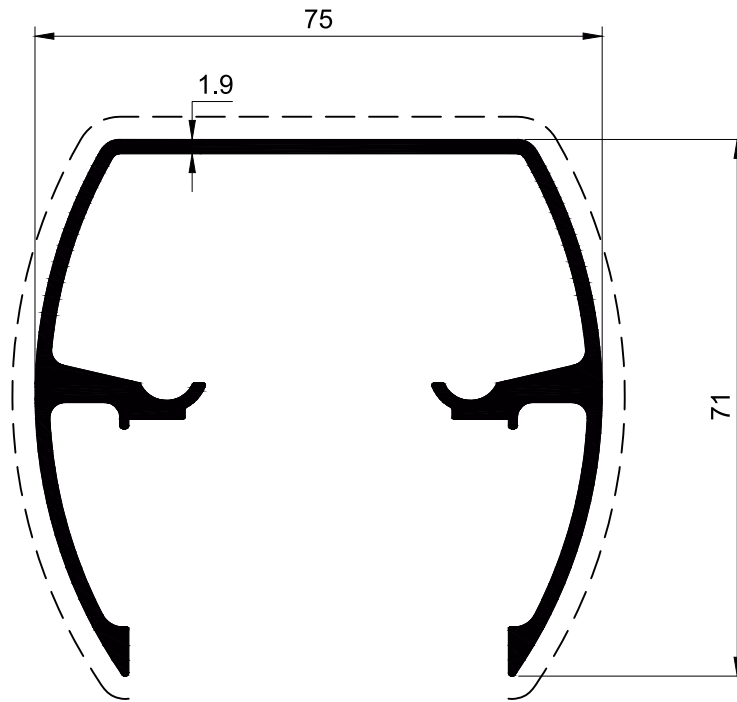
SECTION :- A-A



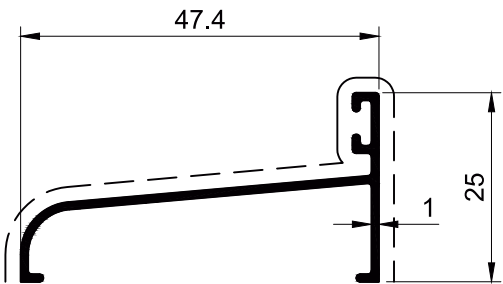
SECTION :- B-B

Shower Cubicle

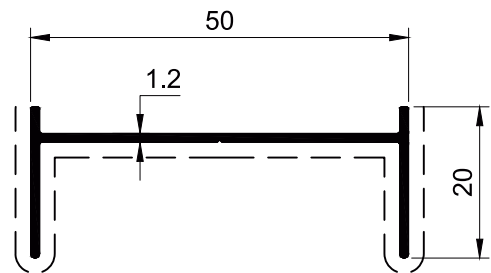
Group 20
Page 01



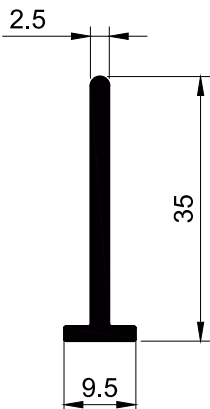
SECTION NO. - SCU-001
EST. WEIGHT - 1.497 KG./M.



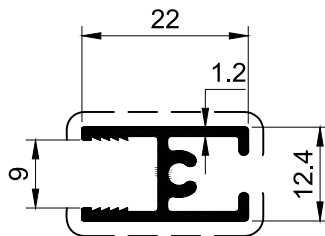
SECTION NO. - SCU-002
EST. WEIGHT - 0.244 KG./M.



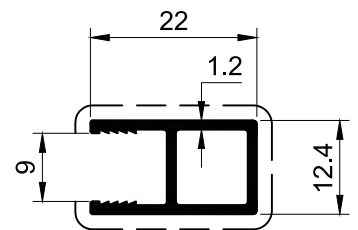
SECTION NO. - SCU-003
EST. WEIGHT - 0.283 KG./M.



SECTION NO. - SCU-006
EST. WEIGHT - 0.272 KG./M.



SECTION NO. - SCU-005
EST. WEIGHT - 0.234 KG./M.

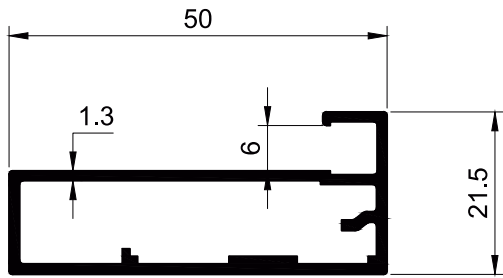


SECTION NO. - SCU-004
EST. WEIGHT - 0.217 KG./M.

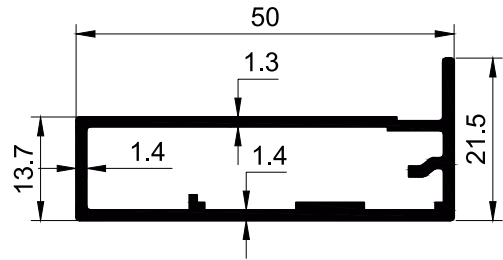
----- : Significant Surface
..... : Insignificant Surface

Kitchen Cabinet

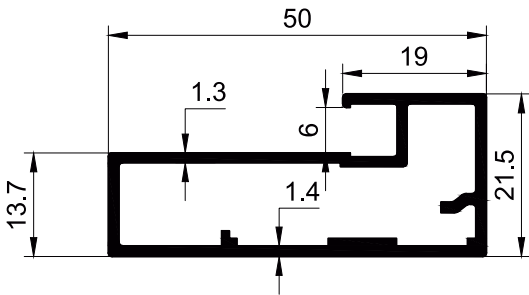
Group 21
Page 01



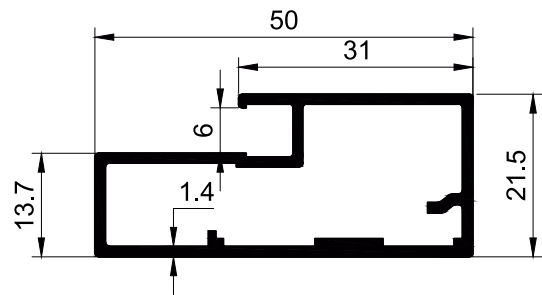
SECTION NO. - KCB-001
EST. WEIGHT - 0.558 KG./M.



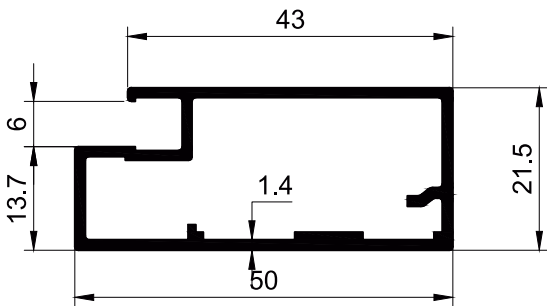
SECTION NO. - KCB-002
EST. WEIGHT - 0.535 KG./M.



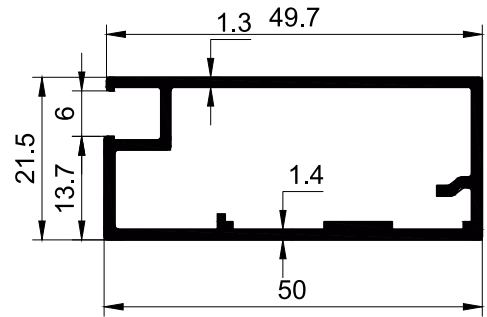
SECTION NO. - KCB-003
EST. WEIGHT - 0.589 KG./M.



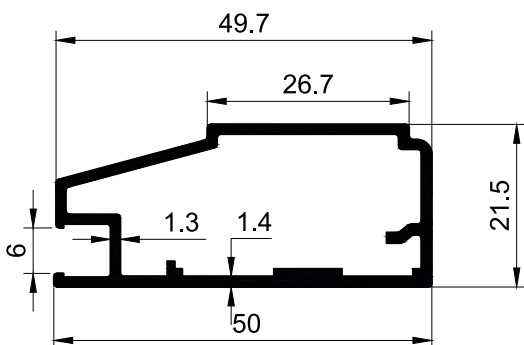
SECTION NO. - KCB-004
EST. WEIGHT - 0.589 KG./M.



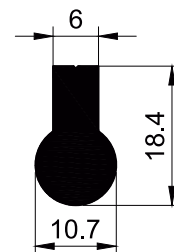
SECTION NO. - KCB-005
EST. WEIGHT - 0.589 KG./M.



SECTION NO. - KCB-006
EST. WEIGHT - 0.587 KG./M.



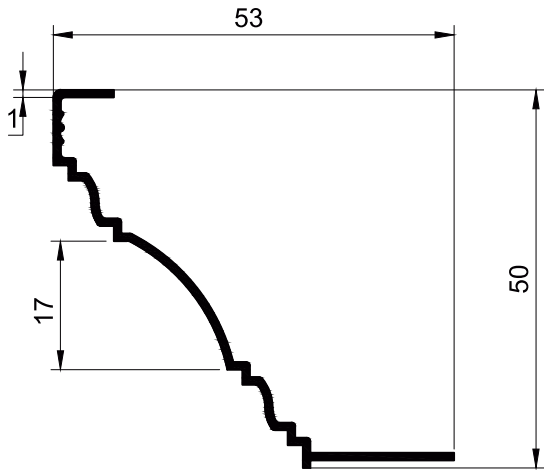
SECTION NO. - KCB-007
EST. WEIGHT - 0.563 KG./M.



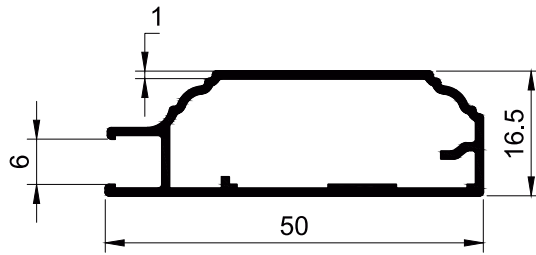
SECTION NO. - KCB-008
EST. WEIGHT - 0.563 KG./M.

Kitchen Cabinet

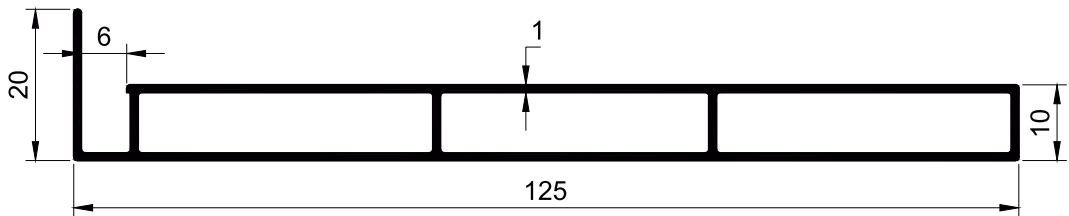
Group 21
Page 02



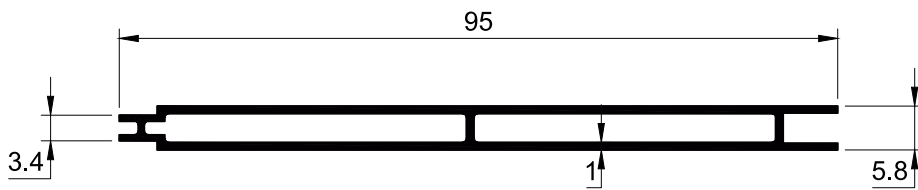
SECTION NO. - KCB-009
EST. WEIGHT - 0.265 KG./M.



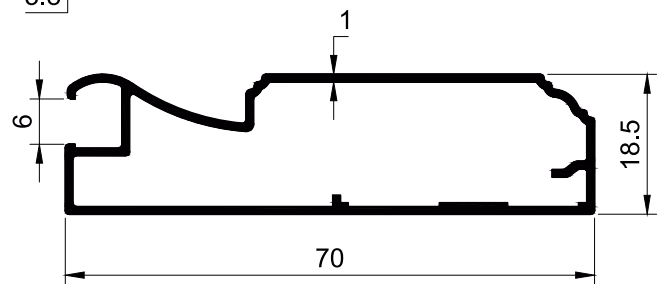
SECTION NO. - KCB-010
EST. WEIGHT - 0.368 KG./M.



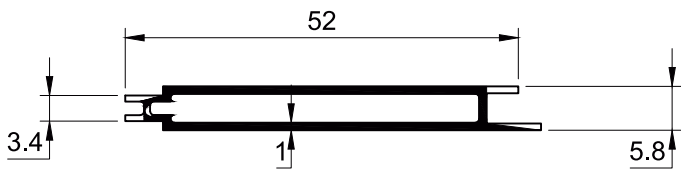
SECTION NO. - KCB-011
EST. WEIGHT - 0.795 KG./M.



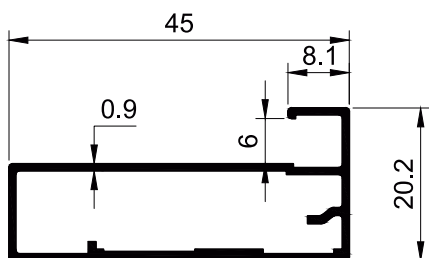
SECTION NO. - KCB-012
EST. WEIGHT - 0.535 KG./M.



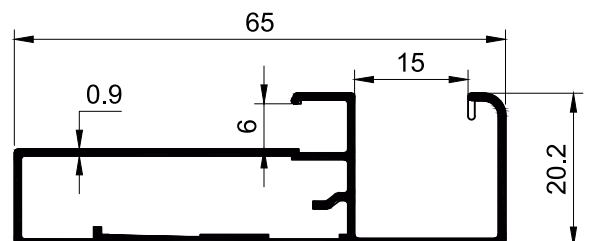
SECTION NO. - KCB-013
EST. WEIGHT - 0.533 KG./M.



SECTION NO. - KCB-014
EST. WEIGHT - 0.301 KG./M.



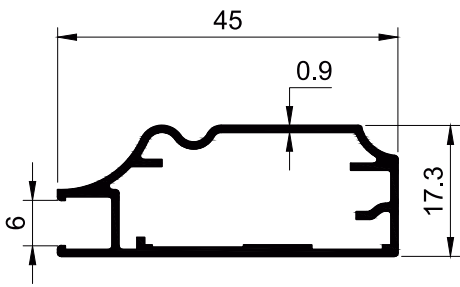
SECTION NO. - KCB-015
EST. WEIGHT - 0.356 KG./M.



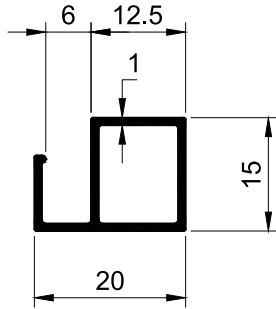
SECTION NO. - KCB-016
EST. WEIGHT - 0.476 KG./M.

Kitchen Cabinet

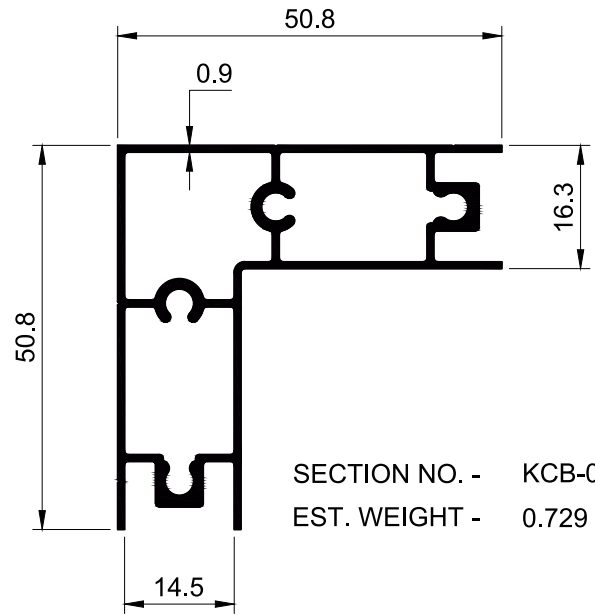
Group 21
Page 03



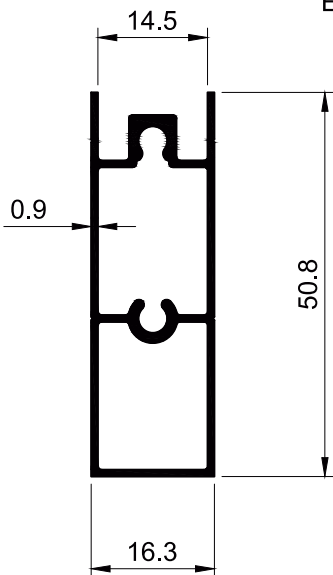
SECTION NO. - KCB-017
EST. WEIGHT - 0.366 KG./M.



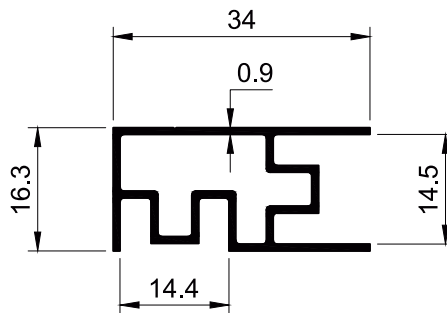
SECTION NO. - KCB-018
EST. WEIGHT - 0.184 KG./M.



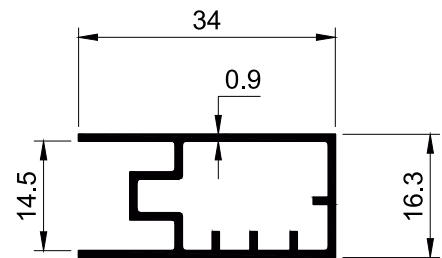
SECTION NO. - KCB-019
EST. WEIGHT - 0.729 KG./M.



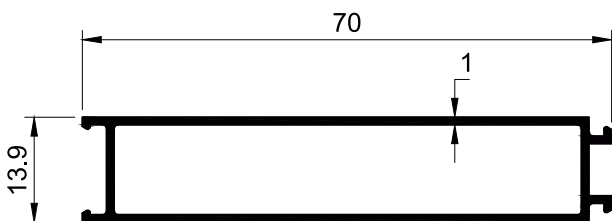
SECTION NO. - KCB-020
EST. WEIGHT - 0.440 KG./M.



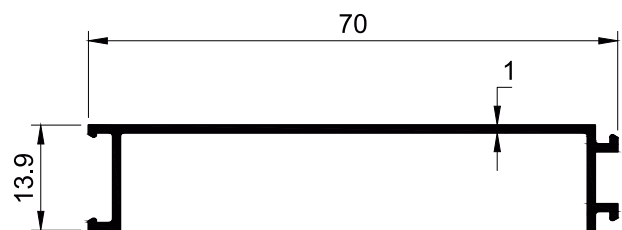
SECTION NO. - KCB-021
EST. WEIGHT - 0.312 KG./M.



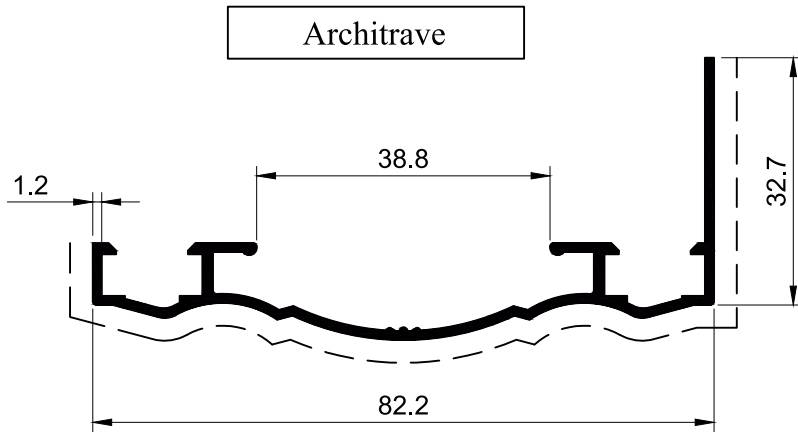
SECTION NO. - KCB-022
EST. WEIGHT - 0.289 KG./M.



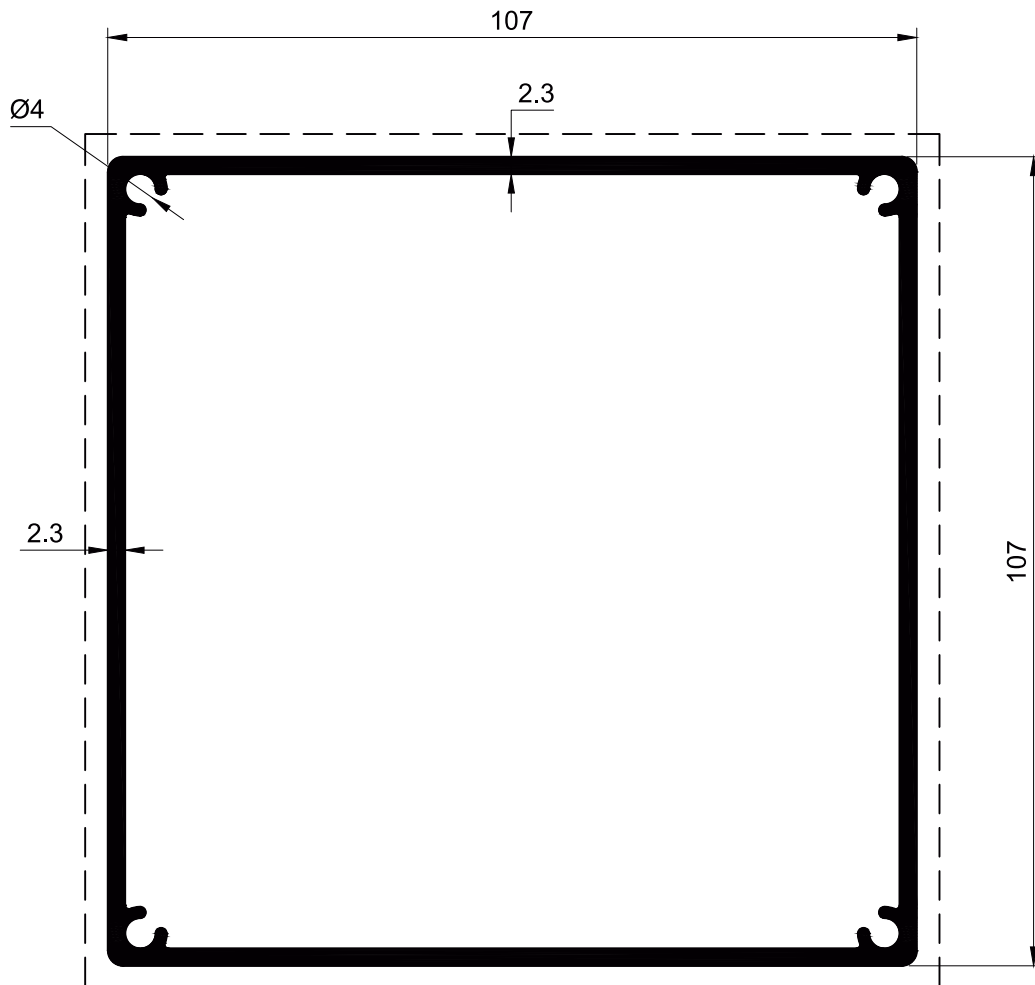
SECTION NO. - KCB-023
EST. WEIGHT - 0.451 KG./M.



SECTION NO. - KCB-024
EST. WEIGHT - 0.284 KG./M.



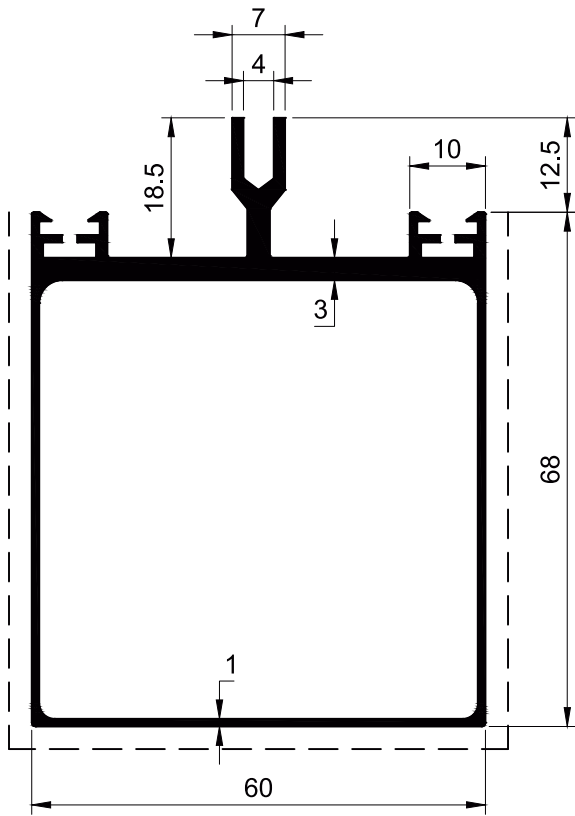
SECTION NO. - ACH-101
EST. WEIGHT - 0.529 KG./M.



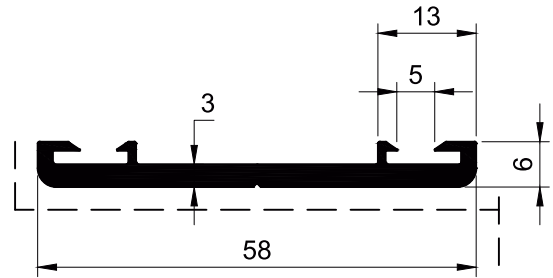
SECTION NO. - 107P-001
EST. WEIGHT - 2.696 KG./M.

----- : Significant Surface
..... : Insignificant Surface

Sky Light

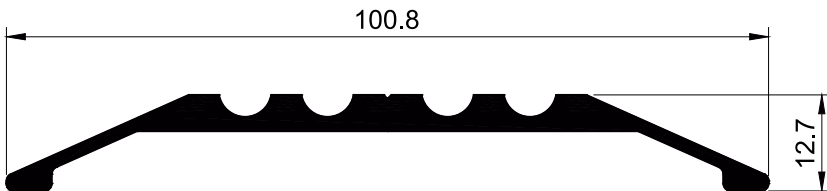


SECTION NO. - JP-BA
EST. WEIGHT - 1.267 KG./M.

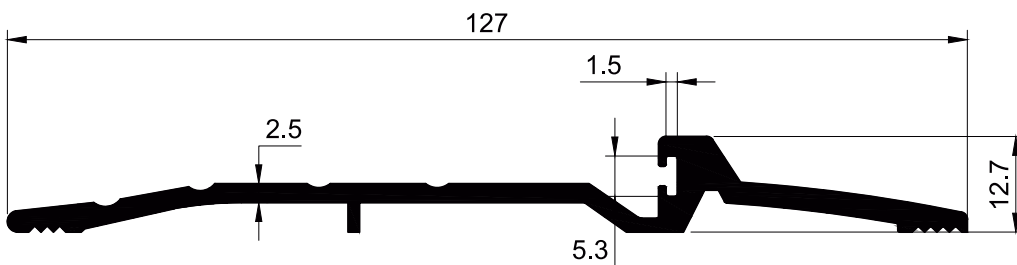


SECTION NO. - JP-BB
EST. WEIGHT - 0.535 KG./M.

Threshold

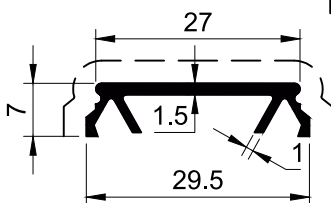


SECTION NO. - TH-001
EST. WEIGHT - 0.850 KG./M.

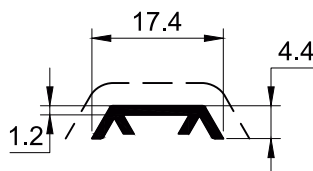


SECTION NO. - TH-002
EST. WEIGHT - 1.076 KG./M.

Dividing



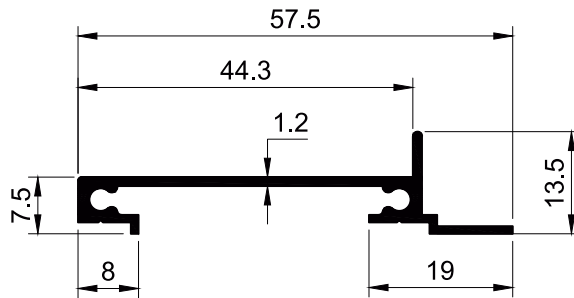
SECTION NO. - ALU - 056
EST. WEIGHT - 0.176KG./M.



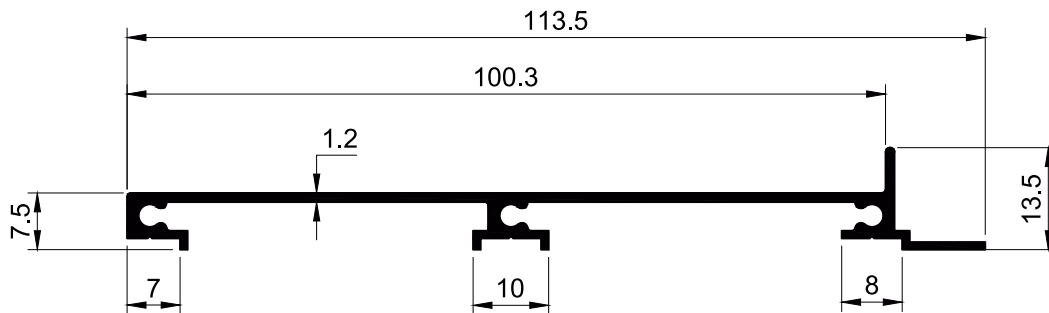
SECTION NO. - ALU - 02
EST. WEIGHT - 0.084 KG./M.

----- : Significant Surface
..... : Insignificant Surface

Sub Frame

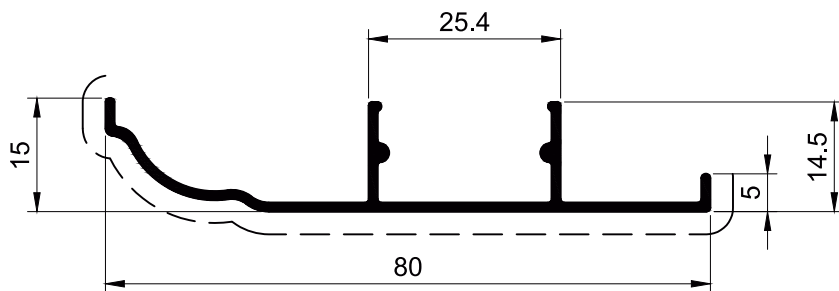


SECTION NO. - SUF-001
EST. WEIGHT - 0.306 KG./M.

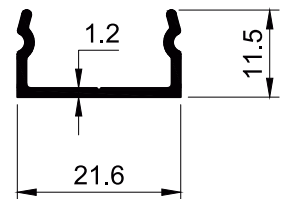


SECTION NO. - SUF-002
EST. WEIGHT - 0.552 KG./M.

Skirting



SECTION NO. - SKT-001
EST. WEIGHT - 0.402 KG./M.

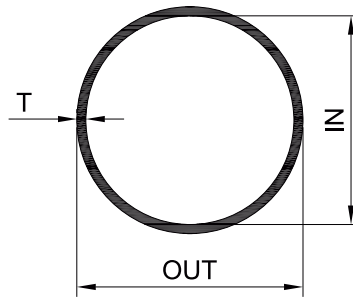


SECTION NO. - SKT-002
EST. WEIGHT - 0.141 KG./M.

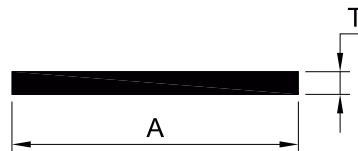
----- : Significant Surface
..... : Insignificant Surface

Round Pipe & Plate

Group 23
Page 01



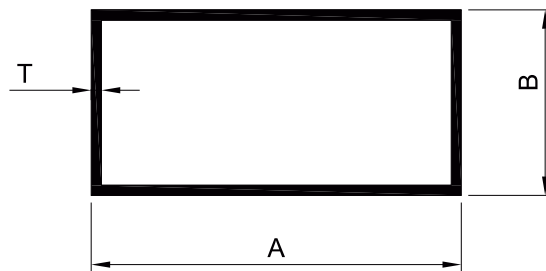
SECTION NO.	SECTIONAL DIMENSION MM. (INCH)			WEIGHT KG./M.
	OUT	IN	T	
RP - 101-AT	16.0 (5/8")	14.2	0.9	0.115
RP - 102T	25.4 (1")	23.4	1.0	0.207
RP - 104-AT	19.0 (3/4")	17.2	0.9	0.138
RP - 105T	9.53 (3/8")	7.73	0.9	0.066
23 - 700	38.1 (1 1/2")	34.04	2.03	0.621
23 - 701	25.4 (1")	21.34	2.03	0.402
RP - 106T	12.7 (1/2")	10.9	0.9	0.090
RP - 107T	31.75 (1 1/4")	29.75	1.0	0.261
RP - 108	38.1 (1 1/2")	35.7	1.2	0.376



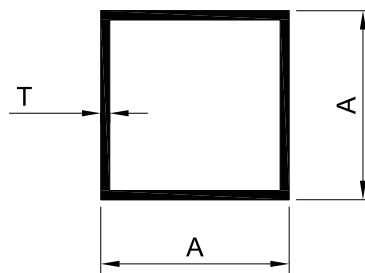
SECTION NO.	SECTIONAL DIMENSION MM. (INCH)		WEIGHT KG./M.
	A	T	
PLT - 01T	25.4 (1")	0.9	0.062
PLT - 02T	19.0 (3/4")	0.9	0.046
PLT - 03	12.7 (1/2")	1.0	0.034
ST - 1001	19.0 (3/4")	3.0	0.154
23 - 0692	25.4 (1")	6.35 (1/4")	0.435
23 - 0683	25.4 (1")	3.18	0.206
PLT - 06	75.0	5.0	1.012
PLT - 07	50.0	5.0	0.674

Rectangular Pipe & Square Pipe

Group 23
Page 02



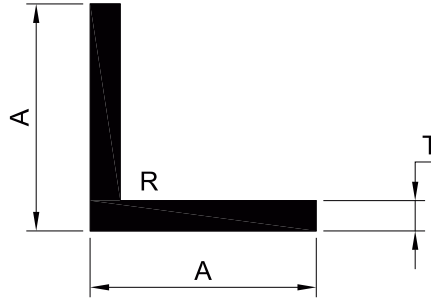
SECTION NO.	SECTIONAL DIMENSION MM. (INCH)			WEIGHT KG./M.
	A	B	T	
70 S - 3002	70 (2 $\frac{3}{4}$ ")	30 (1 $\frac{3}{16}$ ")	1.2	0.633
70 S - 3002 - 1	76 (3")	38 (1 $\frac{1}{2}$ ")	1.2	0.724
100 D - 3004	100 (4")	45 (1 $\frac{3}{4}$ ")	1.2	0.925
100 D - 3005	100 (4")	45 (1 $\frac{3}{4}$ ")	1.6	1.226
P - 1113T	50.8 (2")	25.4 (1")	0.9	0.362
P - 1114T	76.2 (3")	25.4 (1")	1.0	0.538
P - 1115T	38 (1 $\frac{1}{2}$ ")	25.4 (1")	0.9	0.300
P - 1116	140 (5 $\frac{1}{2}$ ")	50.8 (2")	2.2	2.217
P - 1117	150 (5 $\frac{7}{8}$ ")	50.8 (2")	2.2	2.343
P - 1118	100 (4")	25.0 (1")	2.8	1.807



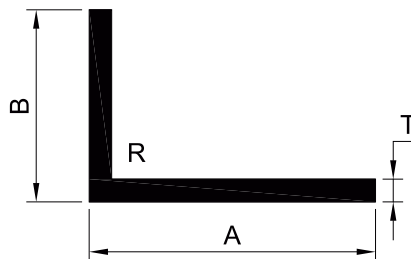
SECTION NO.	SECTIONAL DIMENSION MM. (INCH)			WEIGHT KG./M.
	A	A	T	
76 P - 1001	76 (3")	76 (3")	1.35	1.093
P - 1101 - A	50.8 (2")	50.8 (2")	1.2	0.643
P - 1102	38 (1 $\frac{1}{2}$ ")	38 (1 $\frac{1}{2}$ ")	1.2	0.478
P - 1103 - AT	25.4 (1")	25.4 (1")	0.9	0.239
P - 1104T	19 ($\frac{3}{4}$ ")	19 ($\frac{3}{4}$ ")	0.9	0.177
P - 1108T	12.7 ($\frac{1}{2}$ ")	12.7 ($\frac{1}{2}$ ")	0.9	0.115
P - 1109	30 (1 $\frac{3}{16}$ ")	30 (1 $\frac{3}{16}$ ")	1.2	0.374

Equal Angle & Unequal Angle

Group 23
Page 03



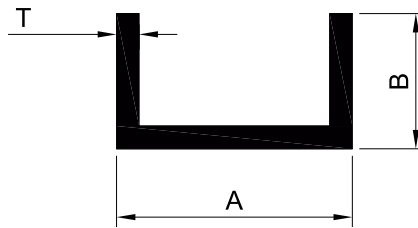
SECTION NO.	SECTIONAL DIMENSION MM. (INCH)			WEIGHT KG./M.
	A	T	R	
A - 108T	12.7 ($\frac{1}{2}$ ")	0.9	-	0.060
A - 109T	19.0 ($\frac{3}{4}$ ")	0.9	-	0.090
A - 109 - AT	19.0 ($\frac{3}{4}$ ")	2.5	-	0.240
A - 110T	25.4 (1")	0.9	-	0.121
A - 110 - AT	25.4 (1")	2.5	-	0.326
A - 111T	38.1 ($1\frac{1}{2}$ ")	2.5	-	0.497
A - 111	38.1 ($1\frac{1}{2}$ ")	3.0	-	0.593
AT - A - 111 A	38.1 ($1\frac{1}{2}$ ")	4.7 ($\frac{3}{16}$ ")	-	0.907
AT - A - 112	31.7 ($1\frac{1}{4}$ ")	3.1 ($\frac{1}{8}$ ")	-	0.505
AT - A - 113	50.8 (2")	4.7 ($\frac{3}{16}$ ")	-	1.230
23 - 0673	38.1 ($1\frac{1}{2}$ ")	4.76 ($\frac{3}{16}$ ")	5.3	0.934
23 - 0674	38.1 ($1\frac{1}{2}$ ")	3.18 ($\frac{1}{8}$ ")	5.3	0.643
SL - 904	13.0	1.7	-	0.112
A - 113	50.8 (2")	3.0	-	0.799



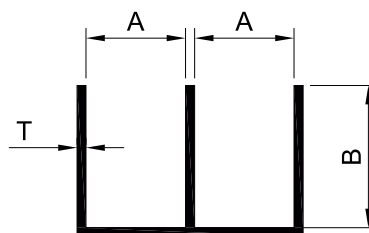
SECTION NO.	SECTIONAL DIMENSION MM. (INCH)				WEIGHT KG./M.
	A	B	T	R	
UA -101T	19.05 ($\frac{3}{4}$ ")	12.7 ($\frac{1}{2}$ ")	0.9	-	0.075
AT - A - 114	50.8 (2")	38.1 ($1\frac{1}{2}$ ")	3.0	-	0.696
ST - 1132	22.22 ($\frac{7}{8}$ ")	12.7 ($\frac{1}{2}$ ")	2.36	-	0.207
ST - 5045	38.0 ($1\frac{1}{2}$ ")	20.0	3.0	-	0.430
23 - 0672	76.2 (3")	50.8 (2")	6.35	6.8	2.095
23 - 0676	38.1 ($1\frac{1}{2}$ ")	25.4 (1")	4.75	-	0.753
23 - 0677	25.4 (1")	15.88 ($\frac{5}{8}$ ")	3.18	-	0.327

Single Channel & Double Channel

Group 23
Page 04



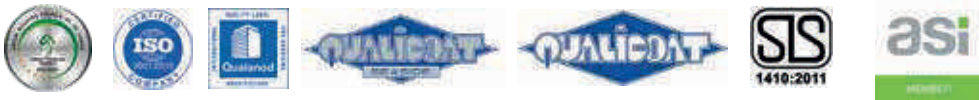
SECTION NO.	SECTIONAL DIMENSION MM. (INCH)			WEIGHT KG./M.
	A	B	T	
C - 101T	11.5	10.5	0.9	0.075
C - 102T	12.7 ($\frac{1}{2}$ ")	12.7 ($\frac{1}{2}$ ")	0.9	0.088
C - 104T	6.76	9.53 ($\frac{3}{8}$ ")	0.9	0.058
C - 107	38.1 ($1\frac{1}{2}$ ")	31.75 ($1\frac{1}{4}$ ")	3.0	0.776
C - 108	38.1 ($1\frac{1}{2}$ ")	38.1 ($1\frac{1}{2}$ ")	3.18	0.927
23 - 0678	31.75 ($1\frac{1}{4}$ ")	25.4 (1")	3.18	0.678
23 - 0681	38.1 ($1\frac{1}{2}$ ")	25.4 (1")	3.18	0.709
C - 108 A	38.1 ($1\frac{1}{2}$ ")	38.1 ($1\frac{1}{2}$ ")	4.75	1.344
C - 106	25.4 (1")	25.4 (1")	1.20	0.239
C - 105	19.0 ($\frac{3}{4}$ ")	19.0 ($\frac{3}{4}$ ")	1.50	0.219
C - 109	7.90	9.00	0.8	0.052
ALU-020	9.5 ($\frac{3}{8}$ ")	9.5 ($\frac{3}{8}$ ")	0.9	0.065
C-112	25.4 (1")	38.1 ($1\frac{1}{2}$ ")	1.5	0.400
C-113	38.1 ($1\frac{1}{2}$ ")	25.4 (1")	1.5	0.348



SECTION NO.	SECTIONAL DIMENSION MM. (INCH)			WEIGHT KG./M.
	A	B	T	
C - 201T	6.50 ($\frac{1}{4}$ ")	9.60 ($\frac{3}{8}$ ")	0.9	0.108
C - 202T	9.65 ($\frac{3}{8}$ ")	9.60 ($\frac{3}{8}$ ")	0.9	0.124
C - 203T	4.95 ($\frac{3}{16}$ ")	12.80 ($\frac{1}{2}$ ")	0.9	0.124
ALU-081	4.95 ($\frac{3}{16}$ ")	8.60	0.9	0.093
C-205	9.15	9.10	0.9	0.117



SRI LANKA'S #1 AND THE MOST TRUSTED ALUMINIUM BRAND



ISBN 978-955-0997-00-8
Printed on October - 2023

Alumex PLC, Pattiwila Road, Sapugaskanda, Makola, Sri Lanka.
Hot Line: 077 7552 992, Tel: 011 240 0332 | info@alumexgroup.com | www.alumexgroup.com